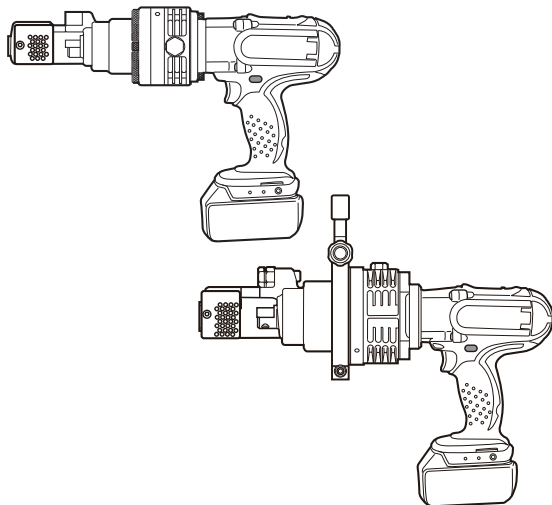
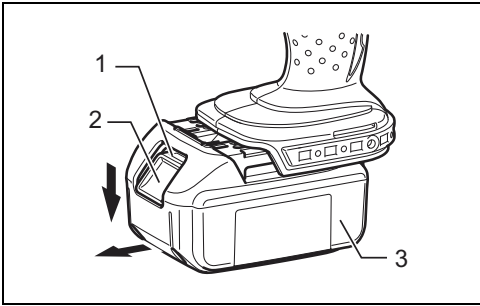




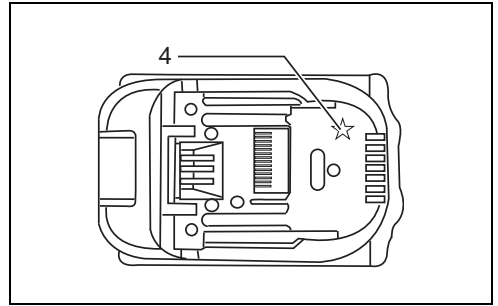
GB	Cordless Steel Rod Cutter Instruction manual
F	Coupe Tige Sans-Fil Manuel d'instructions
D	Akku-Moniereisenschneider Betriebsanleitung
I	Taglia-roncini a batteria Istruzioni per l'uso
NL	Draadloze staaldraadsnijder Gebruiksaanwijzing
E	Cortadora de Varilla a Bateria Manual de instrucciones
P	Cortadora de Vergalhão a Bateria Manual de instruções
DK	Batteridrevet stålstangsklipper Brugsanvisning
S	Sladdlös stålstångskapare Instruktionsmanual
N	Batteridrevet stålørkutter Brukerhåndbok
FIN	Akkuharjateräsleikkuri Käyttöohjeet
GR	Κόφτης ατσάλοβέργας με μπαταρία Εγχειρίδιο οδηγιών
RUS	Аккумуляторные гидравлические ножницы Инструкция по эксплуатации

DSC162
DSC191

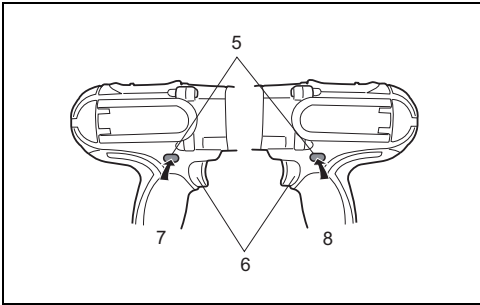




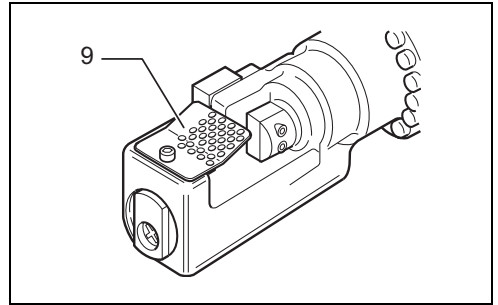
1



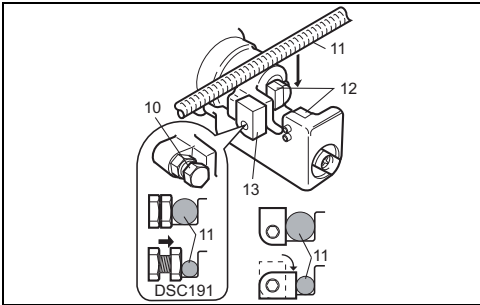
2



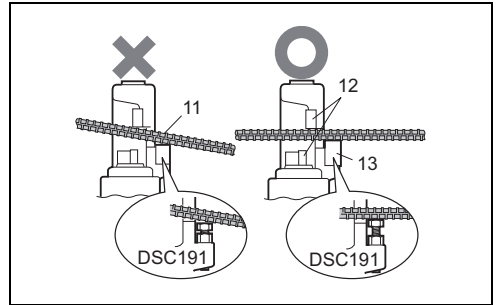
3



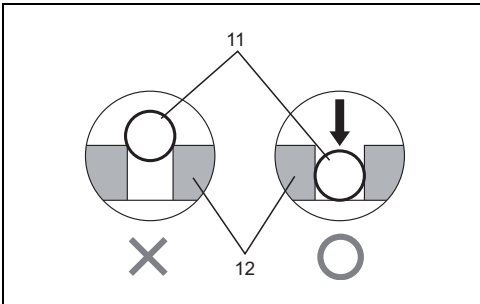
4



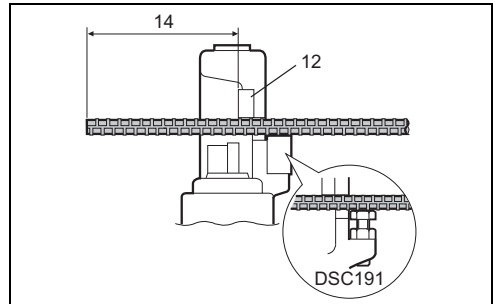
5



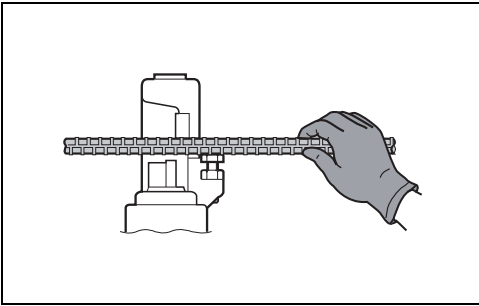
6



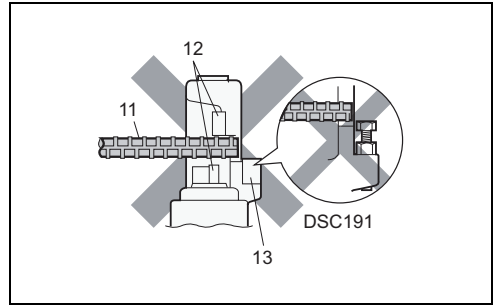
7



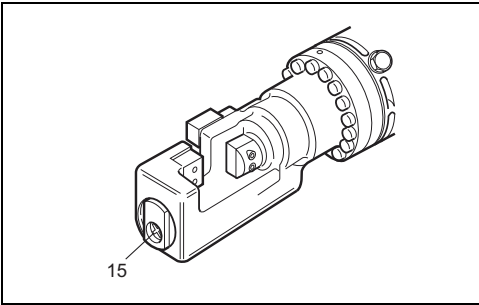
8



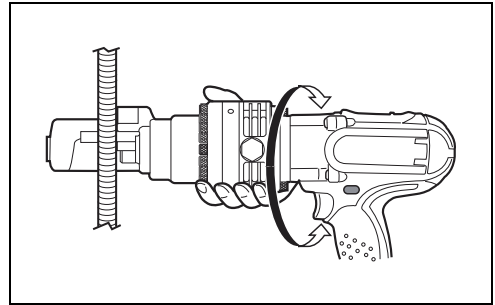
9



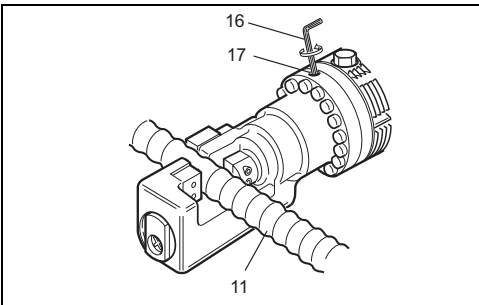
10



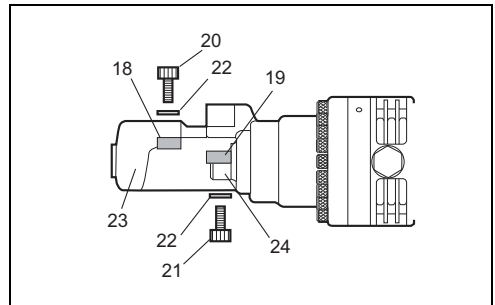
11



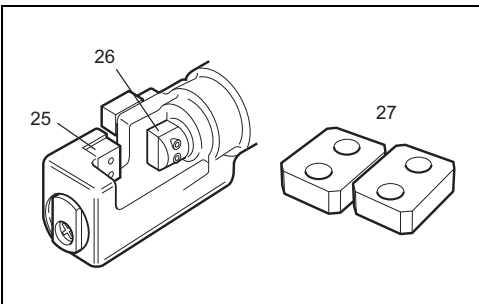
12



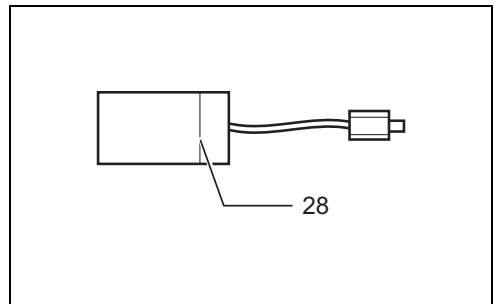
13



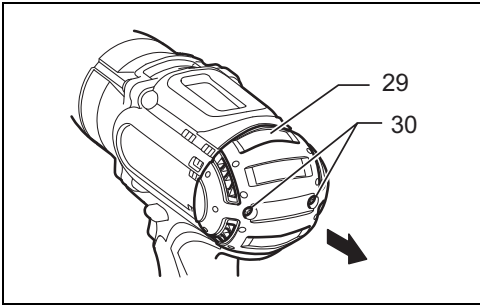
14



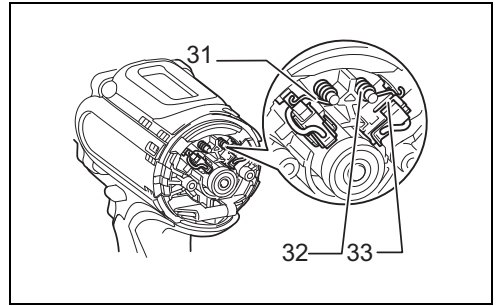
15



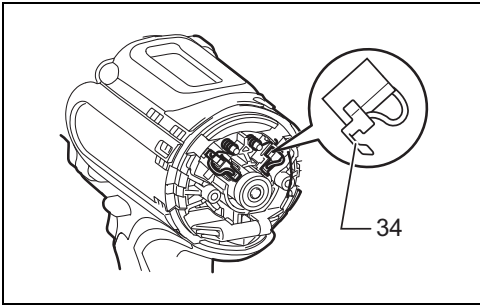
16



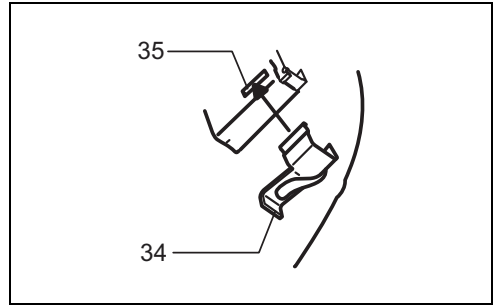
17



18



19



20

ENGLISH (Original instructions)

Explanation of general view

- | | | |
|----------------------|-----------------------------|---------------------------|
| 1. Red indicator | 13. Stopper | 25. Blade A on Bar Holder |
| 2. Button | 14. More than 200 mm | 26. Blade B on Cutter Rod |
| 3. Battery cartridge | 15. Air Hole | 27. Spare Blades |
| 4. Star marking | 16. Hex Wrench | 28. Limit mark |
| 5. Switch Lock | 17. Return Valve | 29. Rear cover |
| 6. Switch trigger | 18. Blade A (Thicker Blade) | 30. Screws |
| 7. Side A | 19. Blade B (Thicker Blade) | 31. Arm |
| 8. Side B | 20. Bolt (Longer) | 32. Spring |
| 9. Protector | 21. Bolt (Shorter) | 33. Recessed part |
| 10. Hold Bolt | 22. Washer | 34. Carbon brush cap |
| 11. Rebar | 23. Bar Holder | 35. Hole |
| 12. Blades | 24. Cutter Rod | |

SPECIFICATIONS

Model	DSC162	DSC191
Max. Cutting Capacity (Dia.mm)	16 mm	20 mm
Grade 40 - Grade 60		
Grade 40: Tensile Strength 490 N/mm ² 70,000 PSI		
Grade 60: Tensile Strength 620 N/mm ² 90,000 PSI		
Cutting Speed	4.0 seconds	6.5 seconds
Overall length	380 mm	412 mm
Net weight	6.5 kg	10.5 kg
Rated voltage	D.C. 18V	

- Due to our continuing program of research and development, the specifications herein are subject to change without notice.
- Specifications and battery cartridge may differ from country to country.
- Weight, with battery cartridge, according to EPTA-Procedure 01/2003

Symbols

The following show the symbols used for the equipment. Be sure that you understand their meaning before use.



..... Read instruction manual.



..... Flying debris and loud noise hazards.
Wear ear and eye protection.



..... Moving blade. Keep hands clear while machine is operating. Turn power off before servicing.



..... Only for EU countries

Do not dispose of electric equipment or battery pack together with household waste material!
In observance of the European Directives, on Waste Electric and Electronic Equipment and Batteries and Accumulators and Waste Batteries and Accumulators and their implementation in accordance with national laws, electric equipment and batteries and battery pack(s) that have reached the end of their life must be collected separately and returned to an environmentally compatible recycling facility.

Intended use

The tool is intended for cutting rebar.

Noise

The typical A-weighted noise level determined according to EN60745:

Sound pressure level (LpA) : 80.5 dB(A)

Sound power level (LWA) : 90.1 dB(A)

Uncertainty (K) : 3 dB(A)

Wear ear protection

Vibration

The vibration total value (tri-axial vector sum) determined according to EN60745:

Work mode : cutting rebar

Vibration emission (a_{H1}) : 2.5 m/s² or less

Uncertainty (K) : 1.5 m/s²

- The declared vibration emission value has been measured in accordance with the standard test method and may be used for comparing one tool with another.
- The declared vibration emission value may also be used in a preliminary assessment of exposure.

⚠ WARNING:

- The vibration emission during actual use of the power tool can differ from the declared emission value depending on the ways in which the tool is used.
- Be sure to identify safety measures to protect the operator that are based on an estimation of exposure in the actual conditions of use (taking account of all parts of the operating cycle such as the times when the tool is switched off and when it is running idle in addition to the trigger time).

EC Declaration of Conformity

For European countries only

The EC declaration of conformity is included as Annex A to this instruction manual.

General Power Tool Safety Warnings

⚠ WARNING Read all safety warnings and all instructions. Failure to follow the warnings and instructions may result in electric shock, fire and/or serious injury.

Save all warnings and instructions for future reference.

The term "power tool" in the warnings refers to your mains-operated (corded) power tool or battery-operated (cordless) power tool.

Work area safety

1. **Keep work area clean and well lit.** Cluttered or dark areas invite accidents.
2. **Do not operate power tools in explosive atmospheres, such as in the presence of flammable liquids, gases or dust.** Power tools create sparks which may ignite the dust or fumes.
3. **Keep children and bystanders away while operating a power tool.** Distractions can cause you to lose control.

Electrical safety

4. **Power tool plugs must match the outlet. Never modify the plug in any way. Do not use any adapter plugs with earthed (grounded) power tools.** Unmodified plugs and matching outlets will reduce risk of electric shock.

5. **Avoid body contact with earthed or grounded surfaces such as pipes, radiators, ranges and refrigerators.** There is an increased risk of electric shock if your body is earthed or grounded.
6. **Do not expose power tools to rain or wet conditions.** Water entering a power tool will increase the risk of electric shock.
7. **Do not abuse the cord. Never use the cord for carrying, pulling or unplugging the power tool. Keep cord away from heat, oil, sharp edges or moving parts.** Damaged or entangled cords increase the risk of electric shock.
8. **When operating a power tool outdoors, use an extension cord suitable for outdoor use.** Use of a cord suitable for outdoor use reduces the risk of electric shock.
9. **If operating a power tool in a damp location is unavoidable, use a ground fault circuit interrupter (GFCI) protected supply.** Use of an GFCI reduces the risk of electric shock.

Personal safety

10. **Stay alert, watch what you are doing and use common sense when operating a power tool. Do not use a power tool while you are tired or under the influence of drugs, alcohol or medication.** A moment of inattention while operating power tools may result in serious personal injury.
11. **Use personal protective equipment. Always wear eye protection.** Protective equipment such as dust mask, non-skid safety shoes, hard hat, or hearing protection used for appropriate conditions will reduce personal injuries.
12. **Prevent unintentional starting. Ensure the switch is in the off-position before connecting to power source and/or battery pack, picking up or carrying the tool.** Carrying power tools with your finger on the switch or energising power tools that have the switch on invites accidents.
13. **Remove any adjusting key or wrench before turning the power tool on.** A wrench or a key left attached to a rotating part of the power tool may result in personal injury.
14. **Do not overreach. Keep proper footing and balance at all times.** This enables better control of the power tool in unexpected situations.
15. **Dress properly. Do not wear loose clothing or jewellery. Keep your hair, clothing, and gloves away from moving parts.** Loose clothes, jewellery or long hair can be caught in moving parts.
16. **If devices are provided for the connection of dust extraction and collection facilities, ensure these are connected and properly used.** Use of dust collection can reduce dust-related hazards.

Power tool use and care

17. **Do not force the power tool. Use the correct power tool for your application.** The correct power tool will do the job better and safer at the rate for which it was designed.
18. **Do not use the power tool if the switch does not turn it on and off.** Any power tool that cannot be controlled with the switch is dangerous and must be repaired.

19. **Disconnect the plug from the power source and/or the battery pack from the power tool before making any adjustments, changing accessories, or storing power tools.** Such preventive safety measures reduce the risk of starting the power tool accidentally.
 20. **Store idle power tools out of the reach of children and do not allow persons unfamiliar with the power tool or these instructions to operate the power tool.** Power tools are dangerous in the hands of untrained users.
 21. **Maintain power tools. Check for misalignment or binding of moving parts, breakage of parts and any other condition that may affect the power tool's operation. If damaged, have the power tool repaired before use.** Many accidents are caused by poorly maintained power tools.
 22. **Keep cutting tools sharp and clean.** Properly maintained cutting tools with sharp cutting edges are less likely to bind and are easier to control.
 23. **Use the power tool, accessories and tool bits etc. in accordance with these instructions, taking into account the working conditions and the work to be performed.** Use of the power tool for operations different from those intended could result in a hazardous situation.
2. **Keep your hands and face away from the moving parts.** They may cause an injury.
 3. **Release the Switch trigger immediately to stop operation when the tool is out of order or makes an abnormal sound during use. Have it inspected and repaired by an authorized service center.** Failure to do so may result in damage or injury.
 4. **If you drop or strike the tool, check carefully that the body is not damaged, cracked, or deformed.** Any such damage could cause injury.
 5. **This tool is an electro-hydraulic tool. The oil reservoir was filled before delivery. Do not add oil unless the tool operates abnormally.**
 6. **Metal cutting blades have sharp edges.** Handle them carefully to avoid being cut.
 7. **Damaged, deformed or cracked blades may cause serious accidents as well as impair operation.** Replace with new genuine blades immediately.

Battery tool use and care

24. **Recharge only with the charger specified by the manufacturer.** A charger that is suitable for one type of battery pack may create a risk of fire when used with another battery pack.
25. **Use power tools only with specifically designated battery packs.** Use of any other battery packs may create a risk of injury and fire.
26. **When battery pack is not in use, keep it away from other metal objects, like paper clips, coins, keys, nails, screws or other small metal objects, that can make a connection from one terminal to another.** Shorting the battery terminals together may cause burns or a fire.
27. **Under abusive conditions, liquid may be ejected from the battery; avoid contact. If contact accidentally occurs, flush with water. If liquid contacts eyes, additionally seek medical help.** Liquid ejected from the battery may cause irritation or burns.

Service

28. **Have your power tool serviced by a qualified repair person using only identical replacement parts.** This will ensure that the safety of the power tool is maintained.
29. **Follow instruction for lubricating and changing accessories.**
30. **Keep handles dry, clean and free from oil and grease.**

CORDLESS STEEL ROD CUTTER SAFETY WARNINGS

1. **Hold the tool securely while it is in use.** If the tool is not held securely, you may be injured.

SAVE THESE INSTRUCTIONS.

⚠ WARNING:

DO NOT let comfort or familiarity with product (gained from repeated use) replace strict adherence to safety rules for the subject product. **MISUSE** or failure to follow the safety rules stated in this instruction manual may cause serious personal injury.

IMPORTANT SAFETY INSTRUCTIONS

FOR BATTERY CARTRIDGE

1. **Before using battery cartridge, read all instructions and cautionary markings on (1) battery charger, (2) battery, and (3) product using battery.**
2. **Do not disassemble battery cartridge.**
3. **If operating time has become excessively shorter, stop operating immediately. It may result in a risk of overheating, possible burns and even an explosion.**
4. **If electrolyte gets into your eyes, rinse them out with clear water and seek medical attention right away. It may result in loss of your eyesight.**
5. **Do not short the battery cartridge:**
 - (1) **Do not touch the terminals with any conductive material.**
 - (2) **Avoid storing battery cartridge in a container with other metal objects such as nails, coins, etc.**
 - (3) **Do not expose battery cartridge to water or rain.**

A battery short can cause a large current flow, overheating, possible burns and even a breakdown.
6. **Do not store the tool and battery cartridge in locations where the temperature may reach or exceed 50°C (122°F).**
7. **Do not incinerate the battery cartridge even if it is severely damaged or is completely worn out. The battery cartridge can explode in a fire.**

8. **Be careful not to drop or strike battery.**
9. **Do not use a damaged battery.**
10. **Follow your local regulations relating to disposal of battery.**

SAVE THESE INSTRUCTIONS.

Tips for maintaining maximum battery life

1. **Charge the battery cartridge before completely discharged.**
Always stop tool operation and charge the battery cartridge when you notice less tool power.
2. **Never recharge a fully charged battery cartridge.**
Overcharging shortens the battery service life.
3. **Charge the battery cartridge with room temperature at 10°C - 40°C (50°F - 104°F).** Let a hot battery cartridge cool down before charging it.
4. **Charge the battery cartridge once in every six months if you do not use it for a long period of time.**

FUNCTIONAL DESCRIPTION

⚠ CAUTION:

- Always be sure that the tool is switched off and the battery cartridge is removed before adjusting or checking function on the tool.

Installing or removing battery cartridge (Fig.1)

⚠ CAUTION:

- Always switch off the tool before installing or removing of the battery cartridge.
- **Hold the tool and the battery cartridge firmly when installing or removing battery cartridge.** Failure to hold the tool and the battery cartridge firmly may cause them to slip off your hands and result in damage to the tool and battery cartridge and a personal injury.

To remove the battery cartridge, slide it from the tool while sliding the button on the front of the cartridge.

To install the battery cartridge, align the tongue on the battery cartridge with the groove in the housing and slip it into place. Insert it all the way until it locks in place with a little click. If you can see the red indicator on the upper side of the button, it is not locked completely.

⚠ CAUTION:

- Always install the battery cartridge fully until the red indicator cannot be seen. If not, it may accidentally fall out of the tool, causing injury to you or someone around you.
- Do not install the battery cartridge forcibly. If the cartridge does not slide in easily, it is not being inserted correctly.

Battery protection system (Lithium-ion battery with star marking) (Fig. 2)

Lithium-ion batteries with a star marking are equipped with a protection system. This system automatically cuts off power to the tool to extend battery life.

The tool will automatically stop during operation if the tool and/or battery are placed under one of the following conditions:

- **Overloaded:**
The tool is operated in a manner that causes it to draw an abnormally high current.
In this situation, release the switch trigger on the tool and stop the application that caused the tool to become overloaded. Then pull the switch trigger again to restart.
If the tool does not start, the battery is overheated. In this situation, let the battery cool before pulling the switch trigger again.
- **Low battery voltage:**
The remaining battery capacity is too low and the tool will not operate. In this situation, remove and recharge the battery.

OPERATING PROCEDURE

Read, understand and follow all safety instructions and operating procedures. If you do not understand the instructions, or if conditions are not correct for proper operation, do not operate this tool. Consult your supervisor or other responsible person.

⚠ WARNING:

- Before the Battery is inserted into the tool, pull and release the switch trigger to ensure that it returns when released.

The motor is on when the switch trigger is pulled and off when the switch trigger is released.

Switch Lock Operation (Fig. 3)

- Push in the Switch Lock on side A. The Switch is unlocked and the Trigger can be operated.
- Push in the Switch Lock on side B. The Switch is locked and the Trigger cannot be operated.

⚠ CAUTION:

- The switch trigger should be locked at all times when not in use.

⚠ WARNING:

- Before operation, confirm that the position of the operator, relative to the tool, and the surrounding area is safe for operation. Put on safety glasses and wear protective clothing.
- Refer to the tool specifications in this manual and do not cut rebar of size or hardness that exceeds the cutting capacity of the tool.
- Do not cut material other than rebar. Please ask the manufacturer if you want to cut other materials.

⚠ WARNING:

- Replace damaged (chipped, broken, cracked) or deformed blades immediately. The blade will not cut true and may fracture or break causing serious personal injury.

Cutting Procedure

WARNING

- **Never use the tool without the protector in place.** Failure to do so can cause serious personal injury. (Fig. 4)
1. Position the rebar to be cut between the blades. (Fig. 5)
Adjust the Stopper (DSC162) or the Hold Bolt (DSC191) according to the diameter of the rebar to be cut so that the rebar is at 90 degrees to the blades. The Stopper (DSC162) or the Hold Bolt (DSC191) supports the rebar and keeps it perpendicular to the blades when cutting. (Fig. 6)

WARNING

- When cutting rebar, adjust the Stopper (DSC162) or the Hold Bolt (DSC191) according to the diameter of the rebar to be cut so that the rebar is at 90 degrees to the blades. Without this adjustment, the cut piece may fly off and cause serious injury to the operator or bystanders. Never fail to check the position of the operator relative to the tool and confirm the safety of the operator and surrounding area.
2. Position the rebar to be cut so that it is fully between the blades. (Fig. 7)

WARNING

- If the rebar to be cut is not positioned fully between the blades, the blades will be damaged; the rebar will be ejected violently and may cause serious personal injury.

WARNING

- Do not cut rebar when the piece to be cut off is less than 200 mm in length. Cutting shorter length may cause the rebar to fly off during cut and may result in serious personal injury. (Fig. 8)

WARNING

- Do not cut rebar when it is not properly supported by the Stopper (DSC162) or the Hold Bolt (DSC191). When cutting, hold the rebar on the Stopper (DSC162) or Hold Bolt (DSC191) side. (Fig. 9) If not, the cut piece may fly off and cause serious injury to the operator or bystanders.
3. Push in the Switch Lock on Side A. The switch is unlocked and the trigger can be operated.
 4. Press the switch trigger to start cutting operation. The Cutter Rod will move forward to cut the rebar. Keep the Switch depressed until the Cutter Rod stops at the end of its stroke.
 5. Release the switch trigger when the cut is completed and the Cutter Rod has reached the end of its stroke. The Cutter Rod will then return automatically to its starting position. The Cutter Rod will not return if the stroke is not completed. Similarly the Cutter Rod will not be able to move forward again until after it returns completely to its starting position. Press the switch to start the next cut, only after the Cutter Rod completely returns to its starting position and stops.

WARNING

- When cutting rebar of a high tensile strength the cut piece may fly off and cause serious injury to the operator. Wear safety glasses and confirm that the

surrounding area is safe before starting operation. (Fig. 10)

WARNING

- Keep your hands and face away from the blades, the moving parts and the cutting area, during operation. Remove the Battery from the tool immediately after use.

NOTE:

- Keep the air hole in the end of the Bar Holder clear of dirt and debris. The air hole controls the internal pressure and should not be obstructed. (Fig. 11)

Rotating Function of Motor (Fig. 12)

The Motor Body can be rotated through 360 degrees, in either direction, during operation. This feature is particularly useful when working in awkward or narrow areas as it allows the operator to position the tool in the best position for easy operation.

Return Valve Operation (Fig. 13)

The function of the Return Valve is to allow the Cutter Rod to return to the starting position if it is unable complete a cut or becomes jammed. This will release the oil pressure and allow the Cutter Rod to return. Retighten the Return Valve once the Cutter Rod is fully returned and before starting the next operation.

BLADES REPLACEMENT PROCEDURE

If the cutting edges of the blades are chipped, cracked, deformed, or damaged in any way, their cutting ability will be reduced. Cutting under such conditions may cause further damage and result in personal injury. The blades should be replaced as a set immediately if any damage is found.

WARNING

- When replacing the blades, ensure that the Battery is removed from the tool to prevent accidental operation. Ensure that Blade A, on the Bar Holder and Blade B, on the Cutter Rod are fitted in their correct respective positions. (Fig. 14)
1. Undo the bolts and the washers that hold Blade A and Blade B.
 2. Remove dirt and clean the surfaces where the new blades are to be fitted.
 3. Fit Blade A to the Bar Holder and Blade B to the Cutter Rod. Replace bolts and washers and tighten firmly.

WARNING

- The bolts that hold Blade A and Blade B should be tightened regularly. If the bolts become loose the Blades may be damaged and may cause personal injury.

Type of spare blade and detachment

(Fig. 15)

Securing bolts should be firmly tightened.

Confirm periodically that the blade is tightened properly.

Spare blade size

● Use this table to identify the correct blades for your model.

Model	A (Fitted to Bar Holder)	B (Fitted to Cutter Rod)
DSC162 (ø3 - ø16)	22 × 17 × 9 mm (Bolt Size 5 mm)	22 × 17 × 8 mm (Bolt Size 5 mm)
DSC191 (ø3 - ø20)	28 × 20 × 11.5 mm (Bolt Size 6 mm)	26 × 20 × 10 mm (Bolt Size 5 mm)

NOTE:

- Use only genuine Makita blades.

ADDING OIL

This cordless rebar cutter is electro-hydraulic. When shipped from the factory, it was filled with oil. Do not attempt to add oil as long as the tool performs well. Over a period of time the oil level will gradually go down.

Eventually this will cause a noticeable dropping off in performance. When this happens add oil as follows.

1. Place some rebar between the blades and pull the switch trigger.
2. Release the switch trigger just before the cut is completed to stop the tool.
3. Remove the Battery from the tool, so that the Blades cannot be moved accidentally.
4. Remove the Bolt (SB10x15) which caps the oil filler hole. Add the oil, being careful not to allow any oil to spill into the motor.
5. Replace the Bolt (SB10x15) and tighten securely.
6. Reinsert the Battery into the tool and complete the cutting operation.
7. Repeat the above procedure several times until the oil level remains correct.

CAUTION

- Only pure hydraulic oil as recommended by Makita & Company Ltd., should be used in this tool. Recommended oils include the Makita supplied hydraulic oil, Super Hyrando #46 (JX Nippon Oil & Energy Corp.); Shell Tellus Plus #46 (U.S. Shell); or equivalent spec anti-wear hydraulic oil, ISO Viscosity Grade 46. Do not use other oils as these may cause damage to the seals and other internal machine parts.

TROUBLE SHOOTING

⚠ WARNING:

- Remove battery before working on machine.

PROBLEM	CAUSE	SOLUTION
Cutter Rod will not extend.	Insufficient oil	Top up oil. (Refer to "Adding Oil")
	Cutter Rod has not returned completely due to build up of debris between Cutter Rod and Bar Holder.	Manually push back Cutter Rod. Remove debris and clean
	Cutter Rod has not returned completely due to damage to the Cutter Rod.	Replace Cutter Rod.
	Cutter Rod has not returned completely due to loose or damaged Blades.	Tighten Blade bolts. Replace Blades
	Cutter Rod has not returned completely due to weak Return spring.	Replace Return spring.
Insufficient power to cut rebar.	Insufficient oil.	Top up oil. (Refer to "Adding Oil")
	Return Valve not properly seated or seating damaged.	Clean tip of Return Valve and Seating. Remove any scratched from seating.
	Return Valve, damaged.	Replace.
	Incorrect clearance between Cylinder and Piston.	Replace Piston (Note: different size pistons available)
	Check Valve, not properly seated or seating damaged.	Clean Check Valve and seating. Replace.
Oil leaks.	Urethane packing, damaged or broken.	Replace.
	Oil leveller Bladder, damaged or broken.	Replace.
	Cutter Rod/ Bar Holder, O-Ring damaged; Rod/Bar Holder, surface scratched or grooved.	Replace Back-Up Ring and O-ring. Replace Cutter Rod/Bar Holder
	Cylinder/Bar Holder, O-Ring damaged	Replace O-ring.
	Cylinder/Pump Case, Gasket damaged.	Replace liner B.
Motor not moving. Motor slow or erratic.	Bar Cutter/Cylinder/Pump Case, flange bolts loose.	Tighten bolts.
	Voltage incorrect.	Charge Battery.
	Battery at end of working life.	Replace Battery.
	DC Motor damaged by over-heating.	Replace DC Motor.
	DC Motor bearings or gear damaged or broken.	Replace bearings or gear.

NOTE:

- The internal components of the pump and piston area have very close tolerances and are sensitive to damage from dust, dirt, contamination of the hydraulic fluid or improper handling. The disassembly of the pump housing requires special tools and training, and should only be attempted by qualified repair personnel that have been properly trained and have the right tools. The improper servicing of electrical components can lead to conditions that could cause serious injury. The pump, piston components and all electrical parts should be serviced only by authorized repair shop, dealer or distributor.

MAINTENANCE

⚠ CAUTION:

- Always be sure that the tool is switched off and the battery cartridge is removed before attempting to perform inspection or maintenance.
- Never use gasoline, benzine, thinner, alcohol or the like. Discoloration, deformation or cracks may result.

Replacing carbon brushes (Fig. 16)

Replace when they wear down to the limit mark. Keep the carbon brushes clean and free to slip in the holders. Both

carbon brushes should be replaced at the same time. Use only identical carbon brushes.

Use a screwdriver to remove two screws then remove the rear cover. (Fig. 17)

Raise the arm part of the spring and then place it in the recessed part of the housing with a slotted bit screwdriver of slender shaft or the like. (Fig. 18)

Use pliers to remove the carbon brush caps of the carbon brushes. Take out the worn carbon brushes, insert the new ones and replace the carbon brush caps in reverse. (Fig. 19)

Make sure that the carbon brush caps have fit into the holes in brush holders securely. (Fig. 20)

Reinstall the rear cover and tighten two screws securely. To maintain product SAFETY and RELIABILITY, repairs, any other maintenance or adjustment should be performed by Makita Authorized Service Centers, always using Makita replacement parts.

OPTIONAL ACCESSORIES

CAUTION:

- These accessories or attachments are recommended for use with your Makita tool specified in this manual. The use of any other accessories or attachments might present a risk of injury to persons. Only use accessory or attachment for its stated purpose.

If you need any assistance for more details regarding these accessories, ask your local Makita Service Center.

- Makita genuine battery and charger

NOTE:

- Some items in the list may be included in the tool package as standard accessories. They may differ from country to country.

Descriptif général

- | | | |
|-------------------------------|--------------------------------|------------------------------------|
| 1. Témoin rouge | 13. Butée | 25. Lame A sur le support de barre |
| 2. Bouton | 14. Plus de 200 mm | 26. Lame B sur la tige de fraise |
| 3. Batterie | 15. Trou d'air | 27. Lames de rechange |
| 4. Marque étoilée | 16. Clé hexagonale | 28. Repère limite |
| 5. Verrou d'interrupteur | 17. Soupape de retour | 29. Couvercle arrière |
| 6. Déclencheur d'interrupteur | 18. Lame A (lame plus épaisse) | 30. Vis |
| 7. Côté A | 19. Lame B (lame plus épaisse) | 31. Bras |
| 8. Côté B | 20. Boulon (plus long) | 32. Ressort |
| 9. Protecteur | 21. Boulon (plus court) | 33. Partie encastrée |
| 10. Verrou de fixation | 22. Rondelle | 34. Cache du balai de charbon |
| 11. Barre d'armature | 23. Support de barre | 35. Trou |
| 12. Lames | 24. Tige de fraise | |

SPECIFICATIONS

Modèle	DSC162	DSC191
Capacité de découpe max. (diamètre en mm)	16 mm	20 mm
Grade 40 - Grade 60		
Grade 40 : résistance à la traction 490 N/mm ² 70 000 PSI		
Grade 60 : résistance à la traction 620 N/mm ² 90 000 PSI		
Vitesse de découpe	4,0 secondes	6,5 secondes
Longueur totale	380 mm	412 mm
Poids net	6,5 kg	10,5 kg
Tension nominale	18V CC	

- Étant donné l'évolution constante de notre programme de recherche et de développement, les spécifications contenues dans ce manuel sont sujettes à modification sans préavis.
- Les spécifications et la batterie peuvent être différentes suivant les pays.
- Poids, avec la batterie, conformément à la procédure EPTA 01/2003

Symboles

Les symboles suivants sont utilisés pour cet équipement. Veiller à bien comprendre leur signification avant l'utilisation.



..... Uniquement pour les pays de l'UE
 Ne pas jeter l'équipement électrique ou la batterie avec les ordures ménagères ! Dans le respect des directives européennes relatives à la gestion des déchets d'équipements électriques et électroniques et des déchets de piles et accumulateurs, les équipements électroniques et les piles et batteries usagées doivent être collectés séparément et traités dans un centre de recyclage respectueux de l'environnement conformément aux lois nationales en vigueur.



..... Lire le manuel d'instructions.



..... Risque de débris volant et de bruit très fort. Se protéger les yeux et les oreilles.



..... Lame mobile. Éloigner les mains lorsque la machine fonctionne. Éteindre la machine avant toute opération d'entretien.

Utilisation

Cet outil est conçu pour la découpe de barres d'armature.

Bruit

Le niveau de bruit pondéré en A type est déterminé selon la norme EN60745 :

- Niveau de pression sonore (LpA) : 80,5 dB (A)
- Niveau de puissance sonore (LWA) : 90,1 dB (A)
- Incertitude (K) : 3 dB (A)

Se protéger les oreilles

Vibration

La valeur totale des vibrations (somme vectorielle triaxiale) est déterminée selon la norme EN60745 :

Mode de travail : découpe de barres d'armature
Émission de vibration (a_{hv}) : 2,5 m/s² maximum
Incertitude (K) : 1,5 m/s²

- La valeur d'émission de vibration déclarée a été mesurée selon la méthode de test standard et peut être utilisée pour comparer deux outils.
- La valeur d'émission de vibration déclarée peut également être utilisée dans le cadre d'une évaluation préliminaire de l'exposition.

⚠ AVERTISSEMENT :

- L'émission de vibration pendant une utilisation réelle de l'outil électrique peut varier par rapport à la valeur d'émission déclarée suivant la façon dont l'outil est utilisé.
- Veiller à identifier les mesures de sécurité pour protéger l'opérateur en fonction de l'estimation de l'exposition dans les conditions réelles d'utilisation (en tenant compte de toutes les parties du cycle de fonctionnement comme les périodes pendant lesquelles l'outil est éteint et celles où il fonctionne au ralenti, en plus du temps de déclenchement).

Déclaration de conformité CE

Uniquement pour les pays européens

La déclaration de conformité CE figure à l'Annexe A de ce manuel d'instructions.

Avertissements de sécurité généraux sur l'outil électrique

⚠ **AVERTISSEMENT Lire tous les avertissements de sécurité et toutes les instructions.** Le non-respect des avertissements et instructions peut entraîner un choc électrique, un incendie et/ou des blessures graves.

Conserver tous les avertissements et toutes les instructions pour référence ultérieure.

L'expression « outil électrique » dans les avertissements fait référence à tout outil électrique (filaire) raccordé au secteur ou tout outil électrique (sans fil) fonctionnant sur batterie.

Sécurité de l'aire de travail

1. **Maintenir l'aire de travail propre et bien éclairé.**
Les endroits encombrés ou sombres sont plus propices aux accidents.
2. **Ne pas utiliser d'outil électrique dans des atmosphères explosives, notamment en présence de liquides, gaz ou poussières inflammables.** Les outils électriques créent des étincelles qui peuvent enflammer la poussière ou les fumées.

3. **Maintenir les enfants et les spectateurs à l'écart lors de l'utilisation d'un outil électrique.** Les distractions peuvent entraîner une perte de contrôle.

Sécurité électrique

4. **La prise des outils électriques doit s'adapter parfaitement à la prise électrique. Ne jamais modifier la prise. Ne pas utiliser d'adaptateurs avec les outils électriques mis à la terre.** Les prises non modifiées et les fiches correspondantes réduisent les risques de choc électrique.
5. **Éviter tout contact corporel avec les surfaces mises à la terre comme les tuyaux, les radiateurs, les réfrigérateurs, etc.** Le risque de choc électrique est accru si votre corps est relié à la terre.
6. **Ne pas exposer les outils électriques à la pluie ou l'humidité.** Toute pénétration d'eau dans un outil électrique augmentera le risque de choc électrique.
7. **Ne pas utiliser le cordon de manière abusive. Ne jamais utiliser le cordon pour transporter, tirer ou débrancher l'outil électrique. Conserver le cordon à l'abri de la chaleur, de l'huile, de bords tranchants ou de pièces mobiles.** Les cordons endommagés ou emmêlés augmentent le risque de choc électrique.
8. **Lors de l'utilisation d'un outil électrique à l'extérieur, utiliser un cordon adapté aux usages extérieurs.** Utiliser un cordon adapté à l'usage extérieur réduit le risque de choc électrique.
9. **Si l'utilisation d'un outil électrique dans un endroit humide est inévitable, utiliser un disjoncteur différentiel de fuite à la terre (DDFT) pour protéger l'alimentation.** Utiliser un DDFT réduit le risque de choc électrique.

Sécurité physique

10. **Rester vigilant et attentif, et faire preuve de bon sens lors de l'utilisation d'un outil électrique. Ne pas utiliser d'outil électrique en étant fatigué ou sous l'influence de drogue, d'alcool ou de médicament.** Un moment d'inattention lors de l'utilisation d'outils électriques peut entraîner des blessures graves.
11. **Porter un équipement de protection. Toujours se protéger les yeux.** L'équipement de protection, comme un masque antipoussière, des chaussures de sécurité antidérapantes, un casque ou une protection auditive, lorsqu'il est utilisé dans des conditions appropriées, réduira les blessures physiques.
12. **Prévenir tout démarrage accidentel. S'assurer que l'interrupteur est éteint (position Off) avant de débrancher la source d'alimentation et/ou la batterie, attraper ou transporter l'outil.** Transporter des outils électriques sous tension ou le doigt sur l'interrupteur peut entraîner des accidents.
13. **Retirer toute clé de réglage avant de mettre outil électrique sous tension.** Une clé restée fixée sur une pièce rotative de l'outil électrique peut entraîner des blessures physiques.
14. **Ne pas se montrer trop ambitieux. Toujours garder une position stable et sûre.** Ceci permet un meilleur contrôle de l'outil électrique dans les situations inattendues.

15. **S'habiller de manière adéquate. Ne pas porter de vêtements amples ou de bijoux. Garder les cheveux, les vêtements et les gants à l'écart des pièces mobiles.** Les vêtements amples, les bijoux ou les cheveux longs peuvent être happés dans les pièces mobiles.
16. **S'il est prévu de raccorder les appareils à des systèmes de collecte et d'extraction de la poussière, s'assurer qu'ils sont connectés et correctement utilisés.** Utiliser un système de collecte de poussière peut réduire les risques induits par la poussière.

Utilisation et entretien de l'outil électrique

17. **Ne pas forcer sur l'outil électrique. Utiliser l'outil électrique approprié à votre application.** L'outil électrique approprié permettra de réaliser la tâche de manière plus adéquate et sûre à la vitesse de fonctionnement pour laquelle il a été conçu.
18. **Ne pas utiliser l'outil électrique si l'interrupteur de marche/arrêt ne fonctionne pas correctement.** Tout outil électrique qui ne peut être contrôlé correctement avec l'interrupteur est dangereux et doit être réparé.
19. **Débrancher la prise de la source d'alimentation électrique et/ou la batterie de l'outil électrique avant de procéder à des réglages, remplacer des accessoires ou ranger les outils électriques.** De telles mesures de sécurité préventives réduisent le risque de démarrage accidentel de l'outil électrique.
20. **Ranger les outils électriques non utilisés hors de portée des enfants. Ne laisser aucune personne non habituée au maniement de l'outil électrique ou ne connaissant pas les instructions d'utilisation se servir de l'outil électrique.** Les outils électriques sont dangereux lorsqu'ils sont utilisés par des personnes non formées.
21. **Entretenir les outils électriques. Vérifier si des pièces mobiles sont mal alignées ou coincées, contrôler si des pièces sont cassées et rechercher toute autre condition pouvant affecter le fonctionnement de l'outil électrique. Si l'outil électrique est endommagé, il doit être réparé avant d'être utilisé.** De nombreux accidents résultent d'un mauvais entretien des outils électriques.
22. **Maintenir les outils de découpe tranchants et propres.** Les outils de découpe correctement entretenus avec des bords tranchants sont moins susceptibles de se coincer et sont plus faciles à contrôler.
23. **Utiliser l'outil électrique, les accessoires, les embouts, etc. conformément à ces instructions en tenant compte des conditions de travail et du travail à réaliser.** Utiliser l'outil électrique pour effectuer d'autres tâches que celles pour lesquelles il est prévu peut engendrer une situation dangereuse.

Utilisation et entretien de la batterie

24. **Recharger uniquement avec le chargeur spécifié par le fabricant.** Un chargeur adapté à un type de batterie peut présenter un risque d'incendie lorsqu'il est utilisé avec une batterie différente.
25. **Utiliser les outils électriques uniquement avec les batteries spécifiquement indiquées.** L'utilisation de toute autre batterie peut créer un risque de blessures et d'incendie.

26. **Quand la batterie n'est pas utilisée, elle doit être rangée à distance de tout objet métallique, tel que des trombones, pièces de monnaie, clés, clous, vis et tout autre petit objet métallique, qui risquerait de mettre en contact les bornes de la batterie.** Court-circuiter les bornes de la batterie peut provoquer des brûlures ou un incendie.
27. **Si la batterie est soumise à des conditions d'utilisation excessives, du liquide peut s'en échapper. Éviter tout contact avec ce liquide. En cas de contact accidentel, rincer abondamment à l'eau. En cas de contact du liquide avec les yeux, consulter un médecin.** Le liquide qui s'échappe de la batterie peut provoquer des irritations et des brûlures.

Entretien

28. **Les réparations de l'outil électrique doivent être effectuées par un réparateur qualifié, qui ne devra utiliser que des pièces de rechange identiques.** Cela permet de garantir la sécurité d'utilisation de l'outil électrique.
29. **Suivre les instructions de lubrification et de remplacement des accessoires.**
30. **Les poignées doivent restées sèches, propres et exemptes de graisse et d'huile.**

AVERTISSEMENTS DE SÉCURITÉ SUR LA COUPE TIGE SANA-FIL

1. **Tenir fermement l'outil lors de son utilisation.** Si l'outil n'est pas fermement tenu, vous pourriez vous blesser.
2. **Garder les mains et le visage à l'écart des pièces mobiles** pour éviter toute blessure.
3. **Relâcher le déclencheur d'interrupteur immédiatement pour arrêter le fonctionnement lorsque l'outil ne fonctionne pas ou produit un son anormal en fonctionnement. Le faire contrôler et réparer par un centre de service agréé.** Le non-respect de cette instruction peut entraîner des dommages ou des blessures.
4. **Si l'outil est tombé ou heurté, vérifier attentivement l'absence de dommage, de fissure ou de déformation sur le corps de l'appareil.** Tout dommage peut provoquer des blessures.
5. **Cet outil est un appareil électro-hydraulique. Le réservoir d'huile a été rempli avant la livraison. Ne pas ajouter d'huile à moins que l'outil ne fonctionne pas normalement.**
6. **Les lames de découpe métalliques ont les bords tranchants.** Les tenir avec précaution pour éviter de se couper.
7. **Les lames endommagées, déformées ou fissurées peuvent provoquer de graves accidents, ainsi qu'un dysfonctionnement de l'outil.** Les remplacer immédiatement par des lames neuves authentiques.

CONSERVER CES INSTRUCTIONS.

⚠ AVERTISSEMENT :

Au-delà de l'aisance d'utilisation et de la maîtrise de l'outil (acquises grâce à un usage répété) **NE PAS** oublier de respecter strictement les règles de sécurité relatives au produit concerné. Une **MAUVAISE UTILISATION** ou le non-respect des règles de sécurité mentionnées dans ce manuel d'instructions peut entraîner de graves blessures physiques.

CONSIGNES DE SÉCURITÉ IMPORTANTES

POUR LA BATTERIE

1. Avant d'utiliser la batterie, lire toutes les instructions et précautions relatives (1) au chargeur de batterie, (2) à la batterie et (3) au produit utilisant la batterie.
2. Ne pas démonter la batterie.
3. Cesser immédiatement l'utilisation si le temps de fonctionnement devient excessivement court. Il y a risque de surchauffe, de brûlures, voire d'explosion.
4. Si l'électrolyte pénètre dans vos yeux, les rincer à l'eau claire et consulter immédiatement un médecin. Il y a risque de perte de la vue.
5. Ne pas court-circuiter la batterie :
 - (1) Ne toucher les bornes avec aucun matériau conducteur.
 - (2) Éviter de ranger la batterie dans un conteneur avec d'autres objets métalliques, tels que des clous, des pièces de monnaie, etc.
 - (3) Ne pas exposer la batterie à l'eau ou à la pluie.

Un court-circuit de la batterie peut provoquer un fort courant, une surchauffe, des brûlures et même une panne.
6. Ne pas ranger l'outil et la batterie dans des endroits où la température risque d'atteindre ou de dépasser 50 °C.
7. Ne pas jeter la batterie au feu même si elle est sérieusement endommagée ou complètement épuisée. La batterie peut exploser au contact du feu.
8. Veiller à ne pas laisser tomber ou heurter la batterie.
9. Ne pas utiliser une batterie endommagée.
10. Veiller à respecter les réglementations locales sur la mise au rebut des piles usagées.

CONSERVER CES INSTRUCTIONS.

Conseils pour assurer la durée de vie optimale de la batterie

1. Recharger la batterie avant qu'elle ne soit complètement déchargée. Toujours arrêter l'outil et recharger la batterie quand une diminution de puissance de l'outil est constatée.
2. Ne jamais recharger une batterie complètement chargée. La surcharge réduit la durée de service de la batterie.
3. Charger la batterie à une température ambiante comprise entre 10 °C et 40 °C. Avant de charger une batterie chaude, la laisser refroidir.
4. Charger la batterie tous les six mois si elle reste inutilisée pendant une période prolongée.

DESCRIPTION FONCTIONNELLE

⚠ ATTENTION :

- Toujours s'assurer que l'outil est hors tension et que la batterie est retirée avant d'ajuster ou de vérifier le fonctionnement de l'appareil.

Installation ou retrait de la batterie (Fig. 1)

⚠ ATTENTION :

- Toujours mettre l'outil hors tension avant d'installer ou de retirer la batterie.
- Tenir l'outil et la batterie fermement lors de l'installation ou du retrait de la batterie, faute de quoi l'outil ou la batterie pourrait vous glisser des mains et entraîner des dommages à l'outil et à la batterie et des blessures personnelles.

Pour retirer la batterie, la faire glisser hors de l'outil tout en faisant glisser le bouton à l'avant de la batterie.

Pour installer la batterie, aligner la languette de la batterie avec la rainure située dans le boîtier, puis la faire glisser en place. L'insérer correctement jusqu'à ce qu'un léger déclic se fasse entendre. Si le témoin rouge est visible sur la face supérieure du bouton, cela signifie que la batterie n'est pas parfaitement verrouillée.

⚠ ATTENTION :

- Installer toujours la batterie complètement jusqu'à ce que le témoin rouge ne soit plus visible. Sinon, elle pourrait tomber accidentellement de l'outil et risquer de vous blesser ou de blesser quelqu'un se trouvant près de vous.
- Ne pas installer la batterie en forçant. Si la batterie ne glisse pas aisément, c'est qu'elle n'est pas insérée correctement.

Dispositif de protection de la batterie (batterie au lithium-ion avec marque étoilée) (Fig. 2)

Les batteries au lithium-ion avec une marque étoilée sont dotées d'un dispositif de protection. Ce dispositif coupe automatiquement l'alimentation de l'outil pour prolonger la durée de service de la batterie.

Si l'outil et/ou la batterie se trouve dans l'une des situations suivantes, l'outil cessera automatiquement de fonctionner :

- **Surcharge :**
L'outil est utilisé de manière telle qu'il consomme un courant anormalement élevé.
Il faut alors relâcher le déclencheur d'interrupteur de l'outil et cesser l'application qui cause sa surcharge. Appuyer à nouveau sur le déclencheur d'interrupteur pour redémarrer l'outil.
Si l'outil ne démarre pas, cela signifie que la batterie est en surchauffe. Il faut alors laisser refroidir la batterie avant d'appuyer à nouveau sur le déclencheur d'interrupteur.
- **Faible tension de la batterie :**
La charge restante de la batterie étant trop faible, l'outil ne fonctionne pas. Il faut alors retirer la batterie et la recharger.

PROCÉDURE D'UTILISATION

Lire, comprendre et respecter toutes les instructions de sécurité et les procédures d'utilisation. En cas d'instructions non comprises ou si les conditions d'utilisation ne sont pas appropriées, ne pas utiliser cet outil. Consulter votre superviseur ou tout autre responsable.

⚠ AVERTISSEMENT :

- Avant d'insérer la batterie dans l'outil, appuyer sur le déclencheur d'interrupteur et le relâcher pour s'assurer qu'il en position quand il est relâché.

Le moteur démarre lorsque le déclencheur d'interrupteur est enfoncé et relâché.

Fonctionnement du verrou d'interrupteur (Fig. 3)

- Appuyer sur le verrou d'interrupteur sur le côté A. L'interrupteur est déverrouillé et le déclencheur peut être actionné.
- Appuyer sur le verrou d'interrupteur sur le côté B. L'interrupteur est verrouillé et le déclencheur ne peut pas être actionné.

⚠ ATTENTION :

- Le déclencheur d'interrupteur doit être verrouillé en permanence lorsque l'outil n'est pas utilisé.

⚠ AVERTISSEMENT :

- Avant toute utilisation, vérifier que la position de l'opérateur par rapport à l'outil et l'environnement proche est sûre. Porter des lunettes de sécurité et des vêtements de protection.
- Consulter les spécifications de l'outil mentionnées dans ce manuel et ne pas découper de barres d'armature dont la taille ou la dureté sont supérieures à la capacité de découpe de l'outil.

- Ne pas couper d'autre matériau que des barres d'armature. Consulter le fabricant si d'autres matériaux doivent être découpés.

⚠ AVERTISSEMENT :

- Remplacer immédiatement les lames endommagées (écaillées, cassées, fissurées) ou déformées. La découpe de la lame ne sera pas droite et la lame peut se rompre ou casser, entraînant de graves blessures physiques.

Procédure de découpe

⚠ AVERTISSEMENT

- **Ne jamais utiliser l'outil si le protecteur n'est pas en place.** Le non-respect de cette instruction peut entraîner de graves blessures physiques. (Fig. 4)

1. Positionner la barre d'armature à découper entre les lames. (Fig. 5)
Ajuster la butée (DSC162) ou le boulon de fixation (DSC191) (en fonction du diamètre) de la barre d'armature à découper de sorte que la barre d'armature se trouve à 90 degrés des lames. La butée (DSC162) ou le boulon de fixation (DSC191) supporte la barre d'armature et la maintient perpendiculaire aux lames lors de la découpe. (Fig. 6)

⚠ AVERTISSEMENT

- Lors de la découpe d'une barre d'armature, ajuster la butée (DSC162) ou le boulon de fixation (DSC191) (en fonction du diamètre) de la barre d'armature à découper de sorte que la barre d'armature se trouve à 90 degrés des lames. Sans cet ajustement, la pièce à découper peut s'envoler et provoquer de graves blessures à l'opérateur ou aux spectateurs. Ne jamais oublier de vérifier la position de l'opérateur par rapport à l'outil et de s'assurer qu'il ne risque rien.
2. Positionner la barre d'armature à découper de manière à ce qu'elle soit complètement entre les lames. (Fig. 7)

⚠ AVERTISSEMENT

- Si la barre d'armature à découper n'est pas positionnement complètement entre les lames, ces dernières seront endommagées ; la barre d'armature sera alors violemment éjectée et pourra provoquer de graves blessures physiques.

⚠ AVERTISSEMENT

- Ne pas découper la barre d'armature lorsque la longueur de la pièce à découper est inférieure à 200 mm. La découpe d'une longueur plus courte peut faire s'envoler la barre d'armature pendant la découpe et entraîner de graves blessures physiques. (Fig. 8)

⚠ AVERTISSEMENT

- Ne pas découper la barre d'armature lorsqu'elle n'est pas correctement supportée par la butée (DSC162) ou le boulon de fixation (DSC191). Lors de la découpe, maintenir la barre d'armature côté butée (DSC162) ou le boulon de fixation (DSC191). (Fig. 9) Dans le cas contraire, la pièce à découper peut s'envoler et provoquer de graves blessures à l'opérateur ou aux spectateurs.
3. Appuyer sur le verrou d'interrupteur sur le côté B. L'interrupteur est déverrouillé et le déclencheur peut être actionné.

4. Appuyer sur le déclencheur d'interrupteur pour démarrer l'opération de découpe. La tige de fraise se déplacera vers l'avant pour découper la barre d'armature. Maintenir l'interrupteur enfoncé jusqu'à l'arrêt de la tige de fraise en fin de course.
5. Relâcher le déclencheur d'interrupteur une fois la découpe terminée et la tige de fraise arrivée en fin de course. La tige de fraise retournera ensuite automatiquement dans sa position de départ. Ce ne sera pas le cas si la fin de course n'est pas atteinte. De même, la tige de fraise ne pourra pas se déplacer à nouveau vers l'avant dès son retour complet dans sa position de départ. Appuyer sur l'interrupteur pour commencer la découpe suivante uniquement après le retour complet de la tige de fraise dans sa position de départ et son arrêt.

⚠ AVERTISSEMENT

- Sans cet ajustement, la pièce à découper peut s'envoler et provoquer de graves blessures à l'opérateur. Porter des lunettes de sécurité et s'assurer que les alentours sont sûrs avant d'utiliser l'outil. (Fig. 10)

⚠ AVERTISSEMENT

- Garder les mains et le visage à l'écart des lames, des pièces mobiles et de la zone de découpe pendant l'utilisation.
Retirer la batterie de l'outil immédiatement après utilisation.

REMARQUE :

- Veiller à ce que le trou d'air à l'extrémité du support de barre ne soit pas obstrué par de la poussière ou des débris. Le trou d'air contrôle la pression interne et ne doit pas être obstrué. (Fig. 11)

Fonction de rotation du moteur (Fig. 12)

Le corps du moteur peut tourner à 360 degrés, dans les deux sens, pendant l'utilisation. Cette fonctionnalité est particulièrement utile dans les zones de travail difficiles ou étroites car elle permet à l'opérateur de positionner l'outil de façon optimale pour l'utiliser facilement.

Taille de la lame de rechange

● Utiliser ce tableau pour identifier les lames appropriées à votre modèle.

Modèle	A (fixation sur le support de barre)	B (fixation sur la tige de fraise)
DSC162 (ø3 - ø16)	22 × 17 × 9 mm (taille de boulon de 5 mm)	22 × 17 × 8 mm (taille de boulon de 5 mm)
DSC191 (ø3 - ø20)	28 × 20 × 11,5 mm (taille de boulon de 6 mm)	26 × 20 × 10 mm (taille de boulon de 5 mm)

REMARQUE :

- N'utiliser que des lames Makita authentiques.

Fonctionnement de la soupape de retour (Fig. 13)

La soupape de retour a pour objet de permettre à la tige de fraise de revenir dans sa position de départ si elle ne peut pas terminer une découpe ou en cas de bourrage. Ceci permet de libérer la pression d'huile et de ramener la tige de fraise en position. Resserrer la soupape de retour une fois la tige de fraise revenue complètement dans sa position de départ et avant de l'utiliser à nouveau.

PROCÉDURE DE REMPLACEMENT DES LAMES

Si les bords de découpe des lames sont écaillés, fissurés, déformés ou endommagés, la capacité de découpe des lames sera réduite. Le cas échéant, la découpe peut provoquer des dommages supplémentaires et entraîner des blessures physiques. Les lames doivent être remplacées de manière globale dès qu'un dommage est détecté.

⚠ AVERTISSEMENT

- Lors du remplacement des lames, s'assurer que la batterie est retirée de l'outil pour prévenir toute utilisation accidentelle.

S'assurer que la lame A sur le support de barre et la lame B sur la tige de fraise sont fixées dans leur position appropriée respective. (Fig. 14)

1. Retirer les boulons et les rondelles qui maintiennent les lames A et B.
2. Retirer la poussière et nettoyer les surfaces de fixation des lames neuves.
3. Fixer la lame A sur le support de barre et la lame B sur la tige de fraise. Remettre les boulons et les rondelles en place et serrer fermement.

⚠ AVERTISSEMENT

- Les boulons qui maintiennent les lames A et B doivent être serrés régulièrement. Si les boulons se desserrent, les lames peuvent être endommagées et provoquer des blessures physiques.

Type de lame de rechange et détachement (Fig. 15)

Les boulons de fixation doivent être bien serrés. Vérifier périodiquement que la lame est correctement serrée.

AJOUT D'HUILE

Cet outil de découpe de barres d'armature sans fil est un appareil électro-hydraulique. Il est rempli d'huile à la livraison en sortie d'usine. Ne pas essayer d'ajouter de l'huile tant que l'outil fonctionne correctement. Après un certain temps, le niveau d'huile va diminuer graduellement. Ceci peut éventuellement diminuer de manière notable les performances. Le cas échéant, ajouter de l'huile comme suit.

1. Placer une barre d'armature entre les lames et appuyer sur le déclencheur d'interrupteur.
2. Relâcher le déclencheur d'interrupteur juste avant la fin de la découpe pour arrêter l'outil.
3. Retirer la batterie de l'outil afin que les lames ne puissent pas bouger accidentellement.
4. Retirer le boulon (SB10x15) qui protège l'orifice de remplissage d'huile. Ajouter de l'huile en veillant à ne pas en faire couler dans le moteur.
5. Remettre le bouton (SB10x15) en place et serrer fermement.
6. Réinsérer la batterie dans l'orifice et terminer l'opération de découpe.
7. Répéter la procédure ci-dessus plusieurs fois jusqu'à ce que le niveau d'huile atteigne un niveau correct.

ATTENTION

- Seule de l'huile hydraulique pure recommandée par Makita & Company Ltd. doit être utilisée avec cet outil. Les huiles recommandées comprennent l'huile hydraulique fournie par Makita, Super Hyrando #46 (JX Nippon Oil & Energy Corp.), Shell Tellus Plus #46 (U.S. Shell) ou une huile hydraulique anti-usure spéciale, ISO Viscosity Grade 46. Ne pas utiliser d'autres huiles pour ne pas endommager les joints et d'autres pièces internes de la machine.

DÉPANNAGE

⚠ AVERTISSEMENT :

- Retirer la batterie avant toute intervention sur la machine.

PROBLÈME	CAUSE	SOLUTION
La tige de fraise ne s'étend pas.	Pas assez d'huile	Ajouter de l'huile. (Voir « Ajout d'huile »)
	La tige de fraise n'est pas revenue intégralement dans sa position de départ à cause de l'accumulation de débris entre la tige de fraise et le support de barre.	Ramener manuellement la tige de fraise en position de départ. Retirer les débris et nettoyer
	La tige de fraise n'est pas revenue intégralement dans sa position de départ car elle est endommagée.	Remplacer la tige de fraise.
	La tige de fraise n'est pas revenue intégralement dans sa position de départ car les lames sont desserrées ou endommagées.	Serrer les boulons de lame. Remplacer les lames
	La tige de fraise n'est pas revenue intégralement dans sa position de départ à cause d'un ressort de retour défaillant.	Remplacer le ressort de retour.
Puissance insuffisante pour découper la barre d'armature.	Pas assez d'huile.	Ajouter de l'huile. (Voir « Ajout d'huile »)
	Soupape de retour mal installée ou assise endommagée.	Nettoyer l'extrémité de la soupape de retour et de l'assise. Polir l'assise.
	Soupape de retour, endommagée.	Remplacer.
	Écart incorrect entre le cylindre et le piston.	Remplacer le piston (remarque : différentes tailles de pistons sont disponibles)
	Soupape anti-retour, mal installée ou assise endommagée.	Nettoyer la soupape anti-retour et l'assise. Remplacer.
	Emballage en uréthane, endommagé ou cassé.	Remplacer.
Fuite d'huile.	Réservoir d'huile, endommagé ou cassé.	Remplacer.
	Tige de fraise/support de barre, joint torique endommagé ; Tige de fraise/support de barre, surface rayées ou rainurées.	Remplacer le joint d'étanchéité et le joint torique. Remplacer la tige de fraise/le support de barre
	Cylindre/support de barre, joint torique endommagé	Remplacer le joint torique.
	Cylindre/carter de pompe, joint endommagé.	Remplacer le manchon B.
	Coupe-barre/cylindre/carter de pompe, boulons à bride desserrés.	Serrer les boulons.
Moteur immobile. Moteur lent ou erratique.	Tension incorrecte.	Charger la batterie.
	Batterie en fin de vie.	Remplacer la batterie.
	Moteur CC endommagé à cause d'une surchauffe.	Remplacer le moteur CC.
	Roulements ou engrenage du moteur CC endommagés ou cassés.	Remplacer les roulements ou l'engrenage.

REMARQUE :

- Les composants internes du bloc pompe et piston ont des tolérances très étroites et sont sensibles aux dommages résultant de la saleté, de la poussière et de la contamination du fluide hydraulique ou d'une manipulation inappropriée. Le démontage du carter de pompe requiert des outils spéciaux et une formation appropriée. Cette opération ne doit être réalisée que par des réparateurs qualifiés correctement formés et disposant des outils adéquats. Un entretien inapproprié des composants électriques peut induire des conditions pouvant entraîner des blessures graves. Les composants de la pompe et des pistons et tous les composants électriques ne doivent être entretenus que par le revendeur, le distributeur ou un atelier de réparation agréé.

ENTRETIEN

ATTENTION :

- Toujours s'assurer que l'outil est hors tension et que la batterie est retirée avant d'ajuster ou de procéder à l'inspection ou la maintenance.
- Ne jamais utiliser d'essence, benzine, diluant, alcool ou autre produit similaire. Cela risquerait de provoquer une décoloration, une déformation ou des fissures.

Remplacement des balais de charbon (Fig. 16)

Les remplacer lorsqu'ils sont usés (niveau d'usure sous le repère limite). Les balais de charbon doivent rester propres pour glisser dans les supports. Les deux balais de charbon doivent être remplacés en même temps. N'utiliser que des balais de charbon identiques.

Utiliser un tournevis pour retirer les deux vis, puis le couvercle arrière. (Fig. 17)

Soulever la partie bras du ressort, puis la placer sur la partie encastrée du carter avec un tournevis fendu à manche mince ou similaire. (Fig. 18)

Utiliser des pinces pour retirer les capuchons de balai de charbon. Retirer les balais de charbon usés, insérer les balais neufs et remettre en place les capuchons. (Fig. 19)
S'assurer que les capuchons de balai de charbon s'adaptent correctement aux orifices des supports de balai. (Fig. 20)

Réinstaller le couvercle arrière et serrer fermement les deux vis. Pour maintenir la SÉCURITÉ et la FIABILITÉ du produit, les réparations, autres travaux d'entretien et réglages doivent être effectués dans un centre de service Makita agréé, exclusivement avec des pièces de rechange Makita.

ACCESSOIRES EN OPTION

ATTENTION :

- Ces accessoires ou pièces sont recommandés pour l'utilisation avec votre outil Makita spécifié dans ce manuel. L'utilisation de tout autre accessoire ou pièce peut comporter un risque de blessure. N'utiliser les accessoires ou pièces qu'aux fins auxquelles ils ont été conçus.

Pour plus d'informations concernant ces accessoires, contacter le centre de service Makita le plus proche.

- Batterie et chargeur d'origine Makita

REMARQUE :

- Il se peut que certains éléments de la liste soient compris dans l'emballage de l'outil en tant qu'accessoires standard. Ils peuvent varier d'un pays à l'autre.

Übersicht

- | | | |
|-------------------------|--------------------------------|-------------------------------|
| 1. Rote Anzeige | 13. Anschlag | 25. Messer A am Stangenhalter |
| 2. Taste | 14. Mehr als 200 mm | 26. Messer B an Schneidstange |
| 3. Akku | 15. Luftöffnung | 27. Ersatzmesser |
| 4. Sternsymbol | 16. Sechskantschlüssel | 28. Grenzmarkierung |
| 5. Schalterverriegelung | 17. Rückstellventil | 29. Hintere Abdeckung |
| 6. Auslöserschalter | 18. Messer A (dickeres Messer) | 30. Schrauben |
| 7. Seite A | 19. Messer B (dickeres Messer) | 31. Arm |
| 8. Seite B | 20. Schraube (länger) | 32. Feder |
| 9. Schutzteil | 21. Schraube (kürzer) | 33. Abgesetzter Teil |
| 10. Halteschraube | 22. Unterlegscheibe | 34. Kohlebürstenkappe |
| 11. Betonstahlstange | 23. Stangenhalter | 35. Öffnung |
| 12. Messer | 24. Schneidstange | |


TECHNISCHE DATEN


Modell	DSC162	DSC191
Max. Schneidkapazität (Durchm. mm)	16 mm	20 mm
Güte 40 - Güte 60		
Güte 40: Zugfestigkeit 490 N/mm ² 70.000 PSI		
Güte 60: Zugfestigkeit 620 N/mm ² 90.000 PSI		
Schneidgeschwindigkeit	4,0 Sekunden	6,5 Sekunden
Gesamtlänge	380 mm	412 mm
Nettogewicht	6,5 kg	10,5 kg
Nennspannung	18 V Gleichstrom	


- Aufgrund unserer ständigen Forschung und Entwicklung unterliegen die hier angegebenen technischen Daten Änderungen ohne Vorankündigung.
- Die technischen Daten und der Akku können von Land zu Land unterschiedlich sein.
- Gewicht mit Akku nach EPTA-Verfahren 01/2003

Symbole

Nachfolgend werden die für dieses Gerät verwendeten Symbole aufgelistet. Machen Sie sich vor dem Gebrauch mit ihrer Bedeutung vertraut.

 Lesen Sie die Betriebsanleitung.

 Gefahren durch Schleuderteile und starken Lärm. Ohren- und Augenschutz tragen.

 Bewegliches Messer. Hände während des Betriebs der Maschine fernhalten. Vor der Instandhaltung die Stromversorgung ausschalten.



..... Nur für Länder der EU
 Entsorgen Sie Elektrogeräte oder Akkus nicht gemeinsam mit dem Hausmüll! Unter Einhaltung der europäischen Richtlinien zu Elektro- und Elektronik-Altgeräten sowie zu Batterien und Akkus und der Entsorgung von Batterien und Akkus und deren Umsetzung in einzelstaatliche Rechtsvorschriften müssen Elektrogeräte und Batterien, die das Ende ihrer Gebrauchsdauer erreicht haben, separat gesammelt und über einen Werkstoff- oder Recyclinghof umweltgerecht entsorgt werden.

Vorgesehene Verwendung

Dieses Werkzeug ist für das Schneiden von Betonstahlstangen vorgesehen.

Geräuschemissionen

Der typische A-gewichtete nach EN60745 ermittelte Schallpegel:

- Schalldruckpegel (LpA): 80,5 dB(A)
- Schalleistungspegel (LWA): 90,1 dB(A)
- Fehler (K): 3 dB(A)

Ohrenschutz tragen

Vibration

Der nach EN60745 ermittelte Gesamtvibrationswert (triaxiale Vektorsumme):

Betriebsart: Schneiden von Betonstahlstangen
Vibrationsemission (a_h): 2,5 m/s² oder weniger
Fehler (K): 1,5 m/s²

- Der angegebene Vibrationsemissionswert wurde nach der Standardtestmethode gemessen und kann zum Vergleich eines Werkzeugs mit einem anderen verwendet werden.
- Der angegebene Vibrationsemissionswert kann ebenfalls bei einer vorläufigen Belastungsbewertung verwendet werden.

⚠️ **WARNUNG:**

- Die Vibrationsemission während des tatsächlichen Gebrauchs des Elektrowerkzeugs kann abhängig von der Gebrauchsweise des Werkzeugs vom angegebenen Emissionswert abweichen.
- Sorgen Sie dafür, dass Sicherheitsmaßnahmen zum Schutz des Betriebspersonals identifiziert werden, die auf der geschätzten Belastung unter den tatsächlichen Einsatzbedingungen basieren (Berücksichtigung aller Teile des Betriebszyklus wie zum Beispiel die Zeiten, zu denen das Werkzeug zusätzlich zum Startzeitpunkt ausgeschaltet und im Leerlauf betrieben wird).

EG-Konformitätserklärung

Nur für europäische Länder

Die EG-Konformitätserklärung finden Sie in Anhang A in dieser Betriebsanleitung.

Allgemeine Sicherheitswarnungen für Elektrowerkzeuge

⚠️ **WARNUNG** Lesen Sie alle Sicherheitswarnungen und Anleitungen. Die Nichtbeachtung der Warnungen und Anleitungen kann in Stromschlag, Feuer und/oder schweren Verletzungen resultieren.

Bewahren Sie alle Warnungen und Anleitungen zur zukünftigen Bezugnahme auf.

Der in den Warnungen verwendete Begriff „Elektrowerkzeug“ bezieht sich auf Ihr netzstromgespeistes Elektrowerkzeug (mit Kabel) oder akkugespeistes Elektrowerkzeug (ohne Kabel).

Sicherheit im Arbeitsbereich

1. **Halten Sie den Arbeitsbereich sauber und gut beleuchtet.** Unaufgeräumte oder dunkle Bereiche erhöhen die Unfallgefahr.

2. **Betreiben Sie Elektrowerkzeuge nicht in explosionsgefährdeten Atmosphären wie zum Beispiel in Gegenwart von entflammaren Flüssigkeiten, Gasen oder Staub.** Elektrowerkzeuge erzeugen Funken, die den Staub oder Dämpfe entzünden könnten.
3. **Halten Sie Kinder und Umstehende während des Betriebs eines Elektrowerkzeugs fern.** Ablenkungen könnten dazu führen, dass Sie die Kontrolle verlieren.

Elektrosicherheit

4. **Stecker von Elektrowerkzeugen müssen mit der Steckdose übereinstimmen. Modifizieren Sie den Stecker niemals in irgendwelcher Weise. Verwenden Sie keine Adapterstecker in Verbindung mit geerdeten Elektrowerkzeugen.** Nicht modifizierte Stecker und übereinstimmende Steckdosen reduzieren die Stromschlaggefahr.
5. **Vermeiden Sie den Kontakt mit geerdeten Oberflächen wie zum Beispiel Rohrleitungen, Heizkörpern, Herden und Kühlschränken.** Wenn Ihr Körper geerdet ist, besteht eine höhere Stromschlaggefahr.
6. **Setzen Sie Elektrowerkzeuge keinem Regen oder nassen Bedingungen aus.** In ein Elektrowerkzeug eingedringenes Wasser erhöht die Stromschlaggefahr.
7. **Missbrauchen Sie das Kabel nicht. Verwenden Sie das Kabel niemals zum Tragen, Ziehen oder Ausstecken des Elektrowerkzeugs. Halten Sie das Kabel von Hitze, Öl, scharfen Kanten oder beweglichen Teilen fern.** Beschädigte oder verworrene Kabel erhöhen die Stromschlaggefahr.
8. **Verwenden Sie beim Betrieb eines Elektrowerkzeugs im Freien ein dafür geeignetes Verlängerungskabel.** Die Verwendung eines für den Gebrauch im Freien geeigneten Kabels vermindert die Stromschlaggefahr.
9. **Verwenden Sie eine durch einen Fehlerstromschutzschalter (FI-Schalter) gesicherte Stromversorgung, wenn der Betrieb eines Elektrowerkzeugs an einem feuchten Ort unvermeidbar ist.** Die Verwendung eines FI-Schalters vermindert die Stromschlaggefahr.

Persönliche Sicherheit

10. **Blieben Sie aufmerksam, achten Sie darauf, was Sie tun und wenden Sie gesunden Menschenverstand an, wenn Sie ein Elektrowerkzeug betreiben. Verwenden Sie kein Elektrowerkzeug, wenn Sie müde sind oder unter dem Einfluss von Drogen, Alkohol oder Medikamenten stehen.** Ein Moment der Unachtsamkeit beim Betrieb von Elektrowerkzeugen kann in schweren Verletzungen resultieren.
11. **Verwenden Sie persönliche Schutzausrüstung. Tragen Sie immer Augenschutz.** Schutzausrüstung wie Staubmasken, rutschfeste Sicherheitsschuhe, Schutzhelme oder Gehörschutz vermindert Verletzungen.

12. **Verhindern Sie einen versehentlichen Start.** Vergewissern Sie sich, dass sich der Schalter in der Aus-Position befindet, bevor Sie das Werkzeug an eine Stromquelle und/oder an das Akkupack anschließen, es aufheben oder tragen. Das Tragen von Elektrowerkzeugen mit Ihrem Finger am Schalter oder das Einschalten der Stromversorgung von Elektrowerkzeugen bei betätigtem Schalter erhöht die Unfallgefahr.
13. **Entfernen Sie etwaige Spann- oder Schraubenschlüssel, bevor Sie das Elektrowerkzeug einschalten.** Ein an einem drehenden Teil des Elektrowerkzeugs belassener Schrauben- oder Spannschlüssel kann in Verletzungen resultieren.
14. **Beugen Sie sich nicht zu weit vor. Sorgen Sie stets für ordnungsgemäßen Bodenkontakt und Balance.** Dies erlaubt eine bessere Kontrolle über das Elektrowerkzeug in unerwarteten Situationen.
15. **Tragen Sie geeignete Kleidung. Tragen Sie keine lose Kleidung oder Schmuck. Halten Sie Ihr Haar, Ihre Kleidung und Handschuhe von beweglichen Teilen fern.** Lose Kleidung, Schmuck oder langes Haar kann sich in beweglichen Teilen verfangen.
16. **Stellen Sie sicher, dass Vorrichtungen für den Anschluss von Staubabzug- oder -sammelanlagen angeschlossen und ordnungsgemäß verwendet werden, sofern diese bereitstehen.** Eine Staubsammlung kann staubbezogene Gefahren reduzieren.

Gebrauch und Pflege von Elektrowerkzeugen

17. **Üben Sie keine übermäßige Kraft auf das Elektrowerkzeug aus. Verwenden Sie das richtige Elektrowerkzeug für Ihre Anwendung.** Mit dem richtigen Elektrowerkzeug verrichten Sie die Aufgabe besser und sicherer und mit der Arbeitsrate, für die es ausgelegt ist.
18. **Verwenden Sie das Elektrowerkzeug nicht, wenn der Schalter es nicht ein- und ausschaltet.** Jedes Elektrowerkzeug, das nicht mit dem Schalter geregelt werden kann, ist gefährlich und muss repariert werden.
19. **Trennen Sie den Stecker von der Stromquelle und/oder den Akkupack vom Elektrowerkzeug ab, bevor Sie jegliche Einstellungen vornehmen, Zubehör wechseln oder Elektrowerkzeuge lagern.** Durch diese vorbeugenden Sicherheitsmaßnahmen wird die Gefahr eines unbeabsichtigten Starts des Elektrowerkzeugs reduziert.
20. **Bewahren Sie nicht in Gebrauch befindliche Elektrowerkzeuge außer der Reichweite von Kindern auf und erlauben Sie nicht mit dem Elektrowerkzeug oder diesen Anleitungen vertrauten Personen nicht, das Elektrowerkzeug zu verwenden.** Elektrowerkzeuge sind in den Händen ungeschulter Benutzer gefährlich.
21. **Halten Sie Elektrowerkzeuge in Stand. Führen Sie eine Prüfung auf falsch ausgerichtete oder klemmende bewegliche Teile, beschädigte Teile und jeglichen sonstigen Zustand aus, der sich auf den Betrieb des Elektrowerkzeugs auswirken könnte. Lassen Sie das Elektrowerkzeug vor dem Gebrauch reparieren, falls es beschädigt ist.** Viele

Unfälle werden durch mangelhaft gewartete Elektrowerkzeuge verursacht.

22. **Halten Sie Schneidwerkzeuge scharf und sauber.** Ordnungsgemäß gewartete Schneidwerkzeuge mit scharfen Schneidkanten haben eine geringere Neigung zum Verklemmen und sind leichter zu handhaben.
23. **Verwenden Sie das Elektrowerkzeug, Zubehör, Werkzeuggesteile usw. gemäß diesen Anleitungen und berücksichtigen Sie dabei die Arbeitsbedingungen und die zu verrichtende Arbeit.** Die Verwendung des Elektrowerkzeugs für andere als die vorgesehenen Betriebsarten könnte in einer Gefahrensituation resultieren.

Gebrauch und Pflege von Akkuwerkzeugen

24. **Verwenden Sie zum Aufladen des Akkus nur das vom Hersteller angegebene Ladegerät.** Ein für einen Typ von Akkupack geeignetes Ladegerät kann bei Verwendung mit einem anderen Akkupack in einer Brandgefahr resultieren.
25. **Verwenden Sie Elektrowerkzeuge nur mit den jeweils speziell dafür vorgesehenen Akkupacks.** Der Gebrauch anderer Akkupacks kann in einer Verletzungs- oder Brandgefahr resultieren.
26. **Halten Sie nicht verwendete Akkupacks fern von anderen Metallgegenständen wie Büroklammern, Münzen, Schlüsseln, Nägeln, Schrauben oder anderen kleinen Metallteilen, die eine Verbindung zwischen den Anschlussklemmen herstellen könnten.** Ein Kurzschließen der Akkuklemmen kann Verletzungen oder einen Brand verursachen.
27. **Unter missbräuchlichen Bedingungen könnte Batterieflüssigkeit austreten; vermeiden Sie jeglichen Kontakt. Spülen Sie bei einem versehentlichen Kontakt mit Wasser. Suchen Sie unverzüglich einen Arzt auf, wenn Batterieflüssigkeit in die Augen gelangt ist.** Aus dem Akku austretende Flüssigkeit kann Reizungen oder Verbrennungen verursachen.

Wartung

28. **Lassen Sie Ihr Elektrowerkzeug nur von qualifiziertem Reparaturpersonal unter Verwendung identischer Ersatzteile reparieren.** Damit bleibt die Sicherheit des Elektrowerkzeugs gewährleistet.
29. **Befolgen Sie die Anleitungen zum Schmieren und Austauschen von Zubehör.**
30. **Halten Sie Griffe trocken, sauber und frei von Öl und Fett.**

SICHERHEITSWARNUNGEN ZUR AKKU-MONIEREISENSCHNEIDER

1. **Halten Sie das Werkzeug während des Gebrauchs sicher fest.** Wenn das Werkzeug nicht sicher gehalten wird, könnten Sie sich eine Verletzung zuziehen.
2. **Halten Sie Ihre Hände und ihr Gesicht von beweglichen Teilen fern.** Sie könnten eine Verletzung verursachen.

3. Lassen Sie den Auslöserschalter sofort los, um den Betrieb zu stoppen, wenn das Werkzeug nicht ordnungsgemäß arbeitet oder während des Gebrauchs ein ungewöhnliches Geräusch erzeugt. Lassen Sie es von einem autorisierten Servicecenter prüfen und reparieren. Andernfalls könnte es zu Schäden oder Verletzungen kommen.
4. Prüfen Sie sorgfältig, dass das Gehäuse nicht beschädigt, gerissen oder verformt ist, wenn Sie das Werkzeug fallengelassen oder einem Schlag ausgesetzt haben. Jegliche derartige Beschädigung könnte in einer Verletzung resultieren.
5. Dieses Werkzeug ist ein elektrohydraulisches Werkzeug. Der Ölbehälter wurde vor der Auslieferung gefüllt. Füllen Sie nur Öl nach, wenn das Werkzeug ungewöhnlich arbeitet.
6. Metallene Messerschneiden haben scharfe Kanten. Handhaben Sie sie vorsichtig, um Schnittverletzungen zu vermeiden.
7. Beschädigte, verformte oder gerissene Messer können schwere Unfälle verursachen und die Funktion beeinträchtigen. Ersetzen Sie sie umgehend mit neuen Originalmessern.
- (3) Setzen Sie den Akku weder Wasser noch Regen aus.
Ein Kurzschluss des Akkus verursacht starken Stromfluss, der Überhitzung, Verbrennungen und einen Defekt zur Folge haben kann.
6. Lagern Sie das Werkzeug und den Akku nicht an Orten, an denen die Temperatur 50°C erreichen oder überschreiten kann.
7. Versuchen Sie niemals, den Akku zu verbrennen, selbst wenn er stark beschädigt oder vollkommen verbraucht ist. Der Akku kann im Feuer explodieren.
8. Achten Sie darauf, dass der Akku nicht fallengelassen oder Stößen ausgesetzt wird.
9. Benutzen Sie keine beschädigten Akkus.
10. Entsorgen Sie den Akku unter Einhaltung der örtlichen Vorschriften.

DIESE ANWEISUNGEN AUFBEWAHREN.

⚠️ WARNUNG:

Lassen Sie sich von der (beim wiederholten Gebrauch erworbenen) Umgangssicherheit oder Vertrautheit mit dem Produkt NICHT dazu verleiten, auf die strenge Befolgung der Sicherheitsregeln für das betroffene Produkt zu verzichten. Der MISSBRAUCH oder die Nichtbefolgung der in diesen Anleitungen genannten Sicherheitsregeln kann in schweren Verletzungen resultieren.

WICHTIGE SICHERHEITSVORSCHRIFTEN

FÜR AKKU

1. Lesen Sie vor der Benutzung des Akkus alle Anweisungen und Warnhinweise, die (1) am Ladegerät, (2) am Akku und (3) an dem vom Akku versorgten Produkt angebracht sind.
2. Zerlegen Sie den Akku nicht.
3. Falls die Betriebszeit beträchtlich kürzer geworden ist, stellen Sie den Betrieb sofort ein. Andernfalls besteht die Gefahr von Überhitzung, möglichen Verbrennungen und sogar einer Explosion.
4. Falls Elektrolyt in Ihre Augen gelangt, waschen Sie sie mit sauberem Wasser aus, und begeben Sie sich unverzüglich in ärztliche Behandlung. Anderenfalls können Sie Ihre Sehkraft verlieren.
5. Der Akku darf nicht kurzgeschlossen werden:
 - (1) Berühren Sie die Kontakte mit keinerlei leitfähigem Material.
 - (2) Lagern Sie den Akku nicht in einem Behälter zusammen mit anderen Metallgegenständen, wie zum Beispiel Nägeln, Münzen usw.

DIESE ANWEISUNGEN AUFBEWAHREN.

Hinweise zur Aufrechterhaltung der maximalen Akku-Nutzungsdauer

1. Laden Sie den Akku, bevor er vollkommen erschöpft ist.
Schalten Sie das Werkzeug stets aus, und laden Sie den Akku, wenn Sie ein Nachlassen der Werkzeugeistung feststellen.
2. Laden Sie einen vollständig aufgeladenen Akku niemals nach.
Überladen führt zu einer Verkürzung der Nutzungsdauer des Akkus.
3. Laden Sie den Akku bei einer Raumtemperatur von 10°C - 40°C. Lassen Sie einen heißen Akku abkühlen, bevor Sie ihn laden.
4. Laden Sie den Akku bei längerer Nichtbenutzung alle sechs Monate nach.

FUNKTIONSBESCHREIBUNG

⚠️ VORSICHT:

- Vergewissern Sie sich vor dem Einstellen oder der Funktionsprüfung des Werkzeug stets, dass es ausgeschaltet und der Akku abgenommen ist.

Anbringen und Abnehmen des Akkus (Abb. 1)

⚠️ VORSICHT:

- Schalten Sie das Werkzeug stets aus, bevor Sie den Akku anbringen oder abnehmen.
- Halten Sie das Werkzeug und den Akku sicher fest, wenn Sie den Akku anbringen oder abnehmen. Anderenfalls könnte das Werkzeug oder der Akku aus Ihrer Hand rutschen und zur Beschädigung des Werkzeugs oder Akkus und zu Verletzungen führen. Schieben Sie den Akku zum Abnehmen vom Werkzeug ab, während Sie den Knopf an der Vorderseite des Akkus drücken.

Zum Einsetzen des Akkus richten Sie die Führungsfeder des Akkus mit der Nut am Gehäuse aus und schieben ihn in Position. Schieben Sie den Akku stets vollständig ein, bis er mit einem hörbaren Klicken einrastet. Falls die rote Anzeige an der Oberseite des Knopfes sichtbar ist, ist der Akku nicht vollständig verriegelt.

⚠ VORSICHT:

- Bringen Sie den Akku immer so an, dass die rote Anzeige nicht mehr sichtbar ist. Andernfalls kann er aus dem Werkzeug herausfallen und Sie oder umstehende Personen verletzen.
- Wenden Sie beim Einsetzen des Akkus keine Gewalt an. Falls der Akku nicht reibungslos hineingleitet, ist er nicht richtig ausgerichtet.

Akku-Schutzsystem (Lithium-Ionen-Akku mit Sternsymbol) (Abb. 2)

Lithium-Ionen-Akkus mit Sternsymbol sind mit einem Schutzsystem ausgestattet. Dieses System schaltet die Stromversorgung des Werkzeugs automatisch ab, um die Akku-Lebensdauer zu verlängern.

Das Werkzeug schaltet sich während des Betriebs automatisch ab, wenn es und/oder der Akku einer der folgenden Bedingungen ausgesetzt werden:

- Überlastung:
Das Werkzeug wird auf eine Weise benutzt, die eine ungewöhnlich hohe Stromaufnahme bewirkt. Lassen Sie in dieser Situation den Auslöserschalter am Werkzeug los und brechen Sie den Vorgang ab, der eine Überlastung des Werkzeugs verursacht hat. Betätigen Sie den Auslöserschalter dann zum Neustart nochmals.
Falls das Werkzeug nicht startet, ist der Akku überhitzt. Lassen Sie den Akku in dieser Situation abkühlen, bevor Sie den Auslöserschalter erneut betätigen.
- Niedrige Akkuspannung:
Die verbleibende Akkukapazität ist zu niedrig, und das Werkzeug funktioniert nicht. Nehmen Sie in dieser Situation den Akku ab, und laden Sie ihn auf.

ARBEITSVERFAHREN

Lesen, verstehen und befolgen Sie alle Sicherheitsanleitungen und Arbeitsverfahren. Betreiben Sie das Werkzeug nicht, falls Sie die Anleitungen nicht verstehen oder die richtigen Bedingungen für den ordnungsgemäßen Betrieb nicht gegeben sind. Holen Sie den Rat Ihres Vorgesetzten oder einer anderen verantwortlichen Person ein.

⚠ WARNUNG:

- Betätigen Sie vor dem Anbringen des Akkus am Werkzeug den Auslöserschalter und lassen Sie ihn wieder los, um zu gewährleisten, dass er beim Loslassen in die Ausgangsstellung zurückkehrt. Der Motor ist eingeschaltet, wenn der Auslöserschalter betätigt wird, und ausgeschaltet, wenn der Auslöserschalter losgelassen wird.

Betätigen der Schalterverriegelung

(Abb. 3)

- Drücken Sie die Schalterverriegelung auf Seite A. Der Auslöserschalter ist entriegelt und kann betätigt werden.
- Drücken Sie die Schalterverriegelung auf Seite B. Der Auslöserschalter ist verriegelt und kann nicht betätigt werden.

⚠ VORSICHT:

- Der Auslöserschalter sollte stets verriegelt sein, wenn er nicht in Gebrauch ist.

⚠ WARNUNG:

- Überzeugen Sie sich vor der Inbetriebnahme, dass die Position des Bedienpersonals in Bezug auf das Werkzeug sowie der umgebende Bereich einen sicheren Betrieb gewährleisten. Tragen Sie eine Schutzbrille und Schutzkleidung.
- Nehmen Sie auf die technischen Daten in dieser Betriebsanleitung Bezug und schneiden Sie keine Betonstahlstangen, deren Größe oder Härte die Schneidkapazität des Werkzeugs überschreitet.
- Schneiden Sie kein anderes Material als Betonstahlstangen. Fragen Sie bitte den Hersteller, falls Sie andere Materialien schneiden möchten.

⚠ WARNUNG:

- Ersetzen Sie beschädigte (angeschlagene, gebrochene, rissige) oder verformte Messer sofort. Das Messer schneidet nicht gerade und könnte brechen und deshalb schwere Verletzungen verursachen.

Schneidverfahren

⚠ WARNUNG

- **Verwenden Sie das Werkzeug niemals ohne angebrachtes Schutzteil.** Andernfalls kann dies schwere Verletzungen verursachen. **(Abb. 4)**
- 1. Positionieren Sie die zu schneidende Betonstahlstange zwischen den Messern. **(Abb. 5)** Stellen Sie den Anschlag (DSC162) bzw. die Halteschraube (DSC191) so auf den Durchmesser der zu schneidenden Betonstahlstange ein, dass die Betonstahlstange im rechten Winkel zu den Messern liegt. Der Anschlag (DSC162) bzw. die Halteschraube (DSC191) stützt die Betonstahlstange und hält sie beim Schneiden im rechten Winkel zu den Messern. **(Abb. 6)**
- **⚠ WARNUNG**
• Stellen Sie beim Schneiden einer Betonstahlstange den Anschlag (DSC162) bzw. die Halteschraube (DSC191) so auf den Durchmesser der zu schneidenden Betonstahlstange ein, dass die Betonstahlstange im rechten Winkel zu den Messern liegt. Ohne diese Einstellung könnte das abgeschnittene Stück weggeschleudert werden und das Bedienpersonal oder Umstehende schwer verletzt. Unterlassen Sie nie, die Position des Bedienpersonals in Bezug auf das Werkzeug zu prüfen und die Sicherheit des Bedienpersonals und des umgebenden Bereichs zu bestätigen.

2. Positionieren Sie die zu schneidende Betonstahlstange vollständig zwischen den Messern. (Abb. 7)

⚠️ WARNUNG

- Wenn die zu schneidende Betonstahlstange nicht vollständig zwischen den Messern positioniert ist, werden die Messer beschädigt; die Betonstahlstange wird gewaltvoll ausgeworfen und könnte schwere Verletzungen verursachen.

⚠️ WARNUNG

- Schneiden Sie Betonstahlstangen nicht, wenn das abzuschneidende Stück weniger als 200 mm lang ist. Beim Schneiden kürzerer Längen könnte die Betonstahlstange herausschnellen und schwere Verletzungen verursachen. (Abb. 8)

⚠️ WARNUNG

- Schneiden Sie keine Betonstahlstangen, die nicht ordnungsgemäß vom Anschlag (DSC162) bzw. von der Halteschraube (DSC191) abgestützt werden. Halten Sie die Betonstahlstange beim Schneiden auf der Seite des Anschlags (DSC162) bzw. der Halteschraube (DSC191) fest. (Abb. 9) Andernfalls könnte das abgeschnittene Stück weggeschleudert werden und das Bedienpersonal oder Umstehende schwer verletzen.
3. Drücken Sie die Schalterverriegelung auf Seite A. Der Auslöserschalter ist entriegelt und kann betätigt werden.
 4. Betätigen Sie den Auslöserschalter, um den Schneidvorgang zu starten. Die Schneidstange bewegt sich zum Durchtrennen der Betonstahlstange nach vorn. Halten Sie den Schalter gedrückt, bis die Schneidstange am Ende ihrer Hubbewegung stoppt.
 5. Lassen Sie den Auslöserschalter los, wenn der Schneidvorgang abgeschlossen ist und die Schneidstange das Ende ihrer Hubbewegung erreicht hat. Die Schneidstange bewegt sich dann automatisch zu ihrer Startposition zurück. Die Schneidstange bewegt sich nicht zurück, wenn die Hubbewegung nicht abgeschlossen ist. In ähnlicher Weise kann sich die Schneidstange erst vorwärts bewegen, nachdem sie sich vollständig zu ihrer Startposition zurückbewegt hat. Drücken Sie den Schalter zum Starten des nächsten Schneidvorgangs erst, nachdem sich die Schneidstange vollständig zu ihrer Startposition zurückbewegt und gestoppt hat.

⚠️ WARNUNG

- Beim Schneiden von Betonstahlstangen mit hoher Zugfestigkeit kann das abgeschnittene Stück weggeschleudert werden und das Bedienpersonal schwer verletzen. Tragen Sie eine Schutzbrille und vergewissern Sie sich vor der Inbetriebnahme, dass der umgebende Bereich abgesichert ist. (Abb. 10)

⚠️ WARNUNG

- Halten Sie Ihre Hände und Ihr Gesicht während des Betriebs von den Messern, den beweglichen Teilen und dem Schneidbereich fern. Nehmen Sie den Akku nach dem Gebrauch sofort vom Werkzeug ab.

HINWEIS:

- Halten Sie die Luftöffnung am Ende des Stangenhalters von Schmutz und anderen Verunreinigungen frei. Die Luftöffnung regelt den internen Druck und sollte nicht versperrt werden. (Abb. 11)

Motordrehfunktion (Abb. 12)

Der Motorkörper kann während des Betriebs in beiden Richtungen um 360 Grad gedreht werden. Diese Funktion ist besonders beim Arbeiten in schwer zugänglichen oder engen Bereichen nützlich, da sie dem Bedienpersonal die beste Positionierung des Werkzeugs zur leichten Bedienung ermöglicht.

Rückstellventilfunktion (Abb. 13)

Das Rückstellventil hat die Funktion, der Schneidstange zu ermöglichen, in die Startposition zurückzukehren, falls sie den Schneidvorgang nicht abschließen kann oder festgeklemt wird. Dabei wird der Öldruck abgelassen, so dass die Schneidstange zurückbewegt kann. Schließen Sie das Rückstellventil wieder, nachdem die Schneidstange vollständig zurückbewegt wurde und bevor Sie den nächsten Bedienvorgang starten.

VERFAHRENSWEISE ZUM ERSATZ DER MESSER

Wenn die Schneidkanten der Messer angeschlagen, eingerissen, verformt oder in sonstiger Weise beschädigt werden, verringert sich ihre Schneidfähigkeit. Das Schneiden unter derartigen Bedingungen kann in einer weiteren Beschädigung und in Verletzungen resultieren. Die Messer sollten sofort im Satz ersetzt werden, falls jegliche Schäden festgestellt werden.

⚠️ WARNUNG

- Stellen Sie beim Ersetzen der Messer sicher, dass der Akku vom Werkzeug abgenommen wurde, um eine versehentliche Inbetriebnahme zu verhindern. Stellen Sie sicher, dass Messer A am Stangenhalter und Messer B an der Schneidstange jeweils in seiner korrekten Position montiert wird. (Abb. 14)
1. Entfernen Sie die Schrauben und Unterlegscheiben, die Messer A und Messer B halten.
 2. Entfernen Sie Schmutz und reinigen Sie die Flächen, an denen die neuen Messer montiert werden.
 3. Montieren Sie Messer A am Stangenhalter und Messer B an der Schneidstange. Bringen Sie die Schrauben und Unterlegscheiben wieder an und ziehen Sie sie fest.

⚠️ WARNUNG

- Die Schrauben, die Messer A und Messer B halten, sollten regelmäßig festgezogen werden. Wenn sich die Schrauben lösen, könnten die Messer beschädigt werden und Verletzungen verursachen.

Ersatzmessertyp und Ausbau (Abb. 15)

Sicherungsschrauben sollten fest angezogen werden.
Vergewissern Sie sich periodisch, dass das Messer ordnungsgemäß befestigt ist.

Ersatzmessergröße

● Verwenden Sie diese Tabelle zur Bestimmung der richtigen Messer für Ihr Modell.

Modell	A (Montiert am Stangenhalter)	B (Montiert an Schneidstange)
DSC162 (ø3 - ø16)	22 × 17 × 9 mm (Schraubengröße 5 mm)	22 × 17 × 8 mm (Schraubengröße 5 mm)
DSC191 (ø3 - ø20)	28 × 20 × 11,5 mm (Schraubengröße 6 mm)	26 × 20 × 10 mm (Schraubengröße 5 mm)

HINWEIS:

- Verwenden Sie nur Makita-Originalmesser.

ÖL NACHFÜLLEN

Diese kabellose Betonstahlstangenschere ist ein elektrohydraulisches Gerät. Es wurde vor dem Versand aus dem Werk mit Öl gefüllt. Versuchen Sie nicht, Öl nachzufüllen, solange das Werkzeug eine gute Leistung aufweist. Der Ölpegel fällt im Verlauf der Zeit. Dies führt letztendlich zu einer merklichen Leistungsverringerung. Füllen Sie in diesem Fall wie folgt Öl nach.

1. Legen Sie ein Stück Betonstahlstange zwischen die Messer und betätigen Sie den Auslöserschalter.
2. Lassen Sie den Auslöserschalter los, kurz bevor der Schnitt abgeschlossen ist, um das Werkzeug zu stoppen.
3. Nehmen Sie den Akku vom Werkzeug ab, um eine versehentliche Bewegung der Messer zu verhindern.
4. Entfernen Sie die Schraube (SB10x15), die die Ölfüllöffnung verschließt. Füllen Sie das Öl nach und achten Sie dabei sorgfältig darauf, kein Öl in den Motor zu verschütten.
5. Bringen Sie die Schraube (SB10x15) wieder an und ziehen Sie sie sicher fest.
6. Bringen Sie den Akku wieder am Werkzeug an und schließen Sie den Schneidvorgang ab.
7. Wiederholen Sie das obige Verfahren mehrmals, bis der korrekte Ölpegel beibehalten wird.

⚠ VORSICHT

- In diesem Werkzeug sollte nur von Makita & Company Ltd. empfohlenes reines Hydrauliköl verwendet werden. Empfohlene Öle sind unter anderem das von Makita angebotene Hydrauliköl Super Hyrando #46 (JX Nippon Oil & Energy Corp.); Shell Tellus Plus #46 (U.S. Shell) oder ein verschleißhemmendes Hydrauliköl einer gleichwertigen Spezifikation, ISO-Viskositätsgrad 46. Verwenden Sie keine anderen Öle, da diese zur Beschädigung der Dichtungen und anderer interner Maschinenteile führen können.

FEHLERBEHEBUNG

⚠️ WARNUNG:

- Entfernen Sie vor dem Arbeiten an der Maschine den Akku.

PROBLEM	URSACHE	LÖSUNG
Schneidstange wird nicht ausgefahren.	Zu wenig Öl	Öl nachfüllen. (Siehe „Öl nachfüllen“)
	Schneidstange hat sich aufgrund von Schmutzablagerung zwischen Schneidstange und Stangenhalter nicht vollständig zurückbewegt.	Schneidstange von Hand zurückschieben. Schmutzablagerung entfernen und reinigen
	Schneidstange hat sich aufgrund ihrer Beschädigung nicht vollständig zurückbewegt.	Schneidstange ersetzen.
	Schneidstange hat sich aufgrund loser oder beschädigter Messer nicht vollständig zurückbewegt.	Messerschrauben festziehen. Messer ersetzen
	Schneidstange hat sich aufgrund einer schwachen Rückholfeder nicht vollständig zurückbewegt.	Rückholfeder ersetzen.
Unzureichende Kraft zum Schneiden von Betonstahlstangen.	Zu wenig Öl.	Öl nachfüllen. (Siehe „Öl nachfüllen“)
	Rückstellventil sitzt nicht ordnungsgemäß oder Sitz beschädigt.	Spitze und Sitz des Rückstellventils reinigen. Etwaige Kratzer am Sitz entfernen.
	Rückstellventil beschädigt.	Ersetzen.
	Inkorrektes Spiel zwischen Zylinder und Kolben.	Kolben ersetzen (Hinweis: unterschiedliche Kolbengrößen erhältlich)
	Rückschlagventil sitzt nicht ordnungsgemäß oder Sitz beschädigt.	Rückschlagventil und Sitz reinigen. Ersetzen.
Urethan-Packung beschädigt oder gebrochen.	Ersetzen.	
Ölleckage.	Ölausgleichsblase beschädigt oder gebrochen.	Ersetzen.
	Schneidstange/Stangenhalter, O-Ring beschädigt; Stange/Stangenhalter, Oberfläche verkratzt oder gerillt.	Stützring und O-Ring ersetzen. Schneidstange/Stangenhalter ersetzen
	Zylinder/Stangenhalter, O-Ring beschädigt	O-Ring ersetzen.
	Zylinder/Pumpengehäuse, Dichtung beschädigt.	Laufbuchse B ersetzen.
	Stangenschere/Zylinder/Pumpengehäuse, Flanschschrauben lose.	Schrauben festziehen.
Motor bewegt sich nicht. Motor langsam oder unregelmäßig.	Falsche Spannung.	Akku laden.
	Akku am Ende seiner Nutzungsdauer.	Akku ersetzen.
	Gleichstrommotor durch Überhitzung beschädigt.	Gleichstrommotor ersetzen.
	Gleichstrommotorlager oder -getriebe beschädigt oder ausgefallen.	Lager oder Getriebe ersetzen.

HINWEIS:

- Die internen Bauteile im Pumpen- und Kolbenbereich haben sehr enge Toleranzen und sind empfindlich gegen Beschädigung durch Staub, Schmutz, Verunreinigung der Hydraulikflüssigkeit oder unsachgemäße Handhabung. Zur Demontage des Pumpengehäuses sind Spezialwerkzeuge und eine entsprechende Schulung erforderlich, weshalb sie nur von qualifiziertem Reparaturpersonal, das ordnungsgemäß geschult ist und über die richtigen Werkzeuge verfügt, ausgeführt werden sollte. Die unsachgemäße Instandhaltung von Elektrobauteilen kann Bedingungen herbeiführen, die in schweren Verletzungen resultieren könnten. Die Pumpe, Kolbenbauteile und alle Elektroteile sollten nur von autorisierten Reparaturwerkstätten, Händlern oder Vertriebsfirmen instandgehalten werden.

WARTUNG

VORSICHT:

- Vergewissern Sie sich vor der Durchführung von Inspektions- oder Wartungsarbeiten stets, dass das Werkzeug ausgeschaltet und der Akku abgenommen ist.
- Verwenden Sie auf keinen Fall Benzin, Benzol, Verdünnern, Alkohol oder dergleichen. Solche Mittel können Verfärbung, Verformung oder Rissbildung verursachen.

Ersetzen der Kohlebürsten (Abb. 16)

Beim Verschleiß bis zur Grenzmarkierung ersetzen. Halten Sie die Kohlebürsten sauber und frei in den Haltern gleitend. Beide Kohlebürsten müssen zur selben Zeit ersetzt werden. Verwenden Sie nur identische Kohlebürsten.

Entfernen Sie zwei Schrauben mit einem Schraubendreher und nehmen Sie dann die hintere Abdeckung ab. (Abb. 17)

Heben Sie den Federarm an und legen Sie ihn dann mit einem Schlitzschraubendreher mit schlankem Schaft oder einem ähnlichen Werkzeug in den abgesetzten Teil des Gehäuses ein. (Abb. 18)

Nehmen Sie die Kappen der Kohlebürsten mit einer Kneifzange ab. Nehmen Sie die verschlissenen Kohlebürsten heraus, setzen Sie neue ein und bringen Sie die Kohlebürstenkappen in umgekehrter Reihenfolge an. (Abb. 19)

Vergewissern Sie sich, dass die Kohlebürstenkappen sicher in den Öffnungen an den Bürstenhaltern sitzen.

(Abb. 20)

Bringen Sie die hintere Abdeckung wieder an und ziehen Sie die zwei Schrauben sicher fest. Um die SICHERHEIT und ZUVERLÄSSIGKEIT dieses Produkts zu gewährleisten, sollten Reparaturen und andere Wartungs- oder Einstellarbeiten nur von autorisierten Makita-Servicecentern unter ausschließlicher Verwendung von Makita- Originalersatzteilen ausgeführt werden.

SONDERZUBEHÖR

VORSICHT:

- Die folgenden Zubehörteile oder Vorrichtungen werden für den Einsatz mit dem in dieser Anleitung beschriebenen Makita-Werkzeug empfohlen. Die Verwendung anderer Zubehörteile oder Vorrichtungen kann eine Verletzungsgefahr darstellen. Verwenden Sie Zubehörteile oder Vorrichtungen nur für ihren vorgesehenen Zweck.

Wenn Sie weitere Einzelheiten bezüglich dieser Zubehörteile benötigen, wenden Sie sich bitte an Ihr örtliches Makita-Servicecenter.

- Original-Makita-Akku und -Ladegerät

HINWEIS:

- Einige Teile in der Liste können als Standardzubehör im Lieferumfang enthalten sein. Sie können von Land zu Land unterschiedlich sein.

Visione generale

- | | | |
|-----------------------------|------------------------------|---|
| 1. Indicatore rosso | 13. Fermo | 25. Lama A su portabarra |
| 2. Pulsante | 14. Più di 200 mm | 26. Lama B su asta taglia-ondini |
| 3. Cartuccia della batteria | 15. Apertura di ventilazione | 27. Lame di ricambio |
| 4. Indicatore a stella | 16. Chiave esagonale | 28. Indicatore limite |
| 5. Blocco dell'interruttore | 17. Valvola di ritorno | 29. Coperchio posteriore |
| 6. Interruttore a grilletto | 18. Lama A (più spessa) | 30. Viti |
| 7. Lato A | 19. Lama B (più spessa) | 31. Braccio |
| 8. Lato B | 20. Bullone (più lungo) | 32. Molla |
| 9. Protezione | 21. Bullone (più corto) | 33. Parte nel vano |
| 10. Bullone di fermo | 22. Rondella | 34. Tappo spazzola in fibra di carbonio |
| 11. Barra rinforzata | 23. Portabarra | 35. Foro |
| 12. Lame | 24. Asta taglia-ondini | |

CARATTERISTICHE TECNICHE

Modello	DSC162	DSC191
Capacità di taglio massima (diam. in mm)	16 mm	20 mm
Grado 40 - Grado 60		
Grado 40: resistenza a trazione 490 N/mm ² 70.000 PSI		
Grado 60: resistenza a trazione 620 N/mm ² 90.000 PSI		
Velocità di taglio	4,0 secondi	6,5 secondi
Lunghezza totale	380 mm	412 mm
Peso netto	6,5 kg	10,5 kg
Utilizzo continuo	CC 18V	

- Per il nostro continuo programma di ricerca e sviluppo, questi dati tecnici sono soggetti a modifiche senza preavviso.
- I dati tecnici e la cartuccia della batteria potrebbero differire da paese a paese.
- Peso, con cartuccia della batteria, secondo la Procedura EPTA 01/2003

Simboli

Di seguito sono riportati i simboli utilizzati per l'apparecchiatura. È necessario conoscerne il significato prima dell'uso.



..... Solo per i paesi della UE
 Non smaltire l'apparecchiatura elettrica o la batteria insieme ai normali rifiuti domestici!
 Secondo quanto stabilito dalle direttive della UE circa lo smaltimento di apparecchiature elettriche ed elettroniche, batterie e accumulatori e in base alle leggi locali al riguardo, è necessario smaltire le apparecchiature elettriche e le batterie usate consegnandole a un apposito centro di smaltimento.



..... Leggere le istruzioni per l'uso.



..... Pericolo di particelle volatili e rumori forti. Indossare protezioni per orecchie e occhi.



..... Lame in movimento. Tenere lontane le mani dal macchinario mentre è in funzione. Spegnerlo prima di effettuare operazioni di manutenzione.

Utilizzo prefissato

Questo strumento è progettato per tagliare le barre rinforzate.

Emissioni acustiche

Livello tipico dei livelli più alti di rumore ponderato A determinato secondo la direttiva EN60745.

Livello di pressione sonora (LpA): 80,5 dB(A)

Livello di potenza sonora (LWA): 90,1 dB(A)

Incertezza (K): 3 dB(A)

Indossare protezioni per le orecchie

Vibrazioni

Valore totale delle vibrazioni (somma vettoriale triassiale) secondo la direttiva EN60745.

Modalità di lavoro: taglio di barre rinforzate

Emissione di vibrazioni (a_h) : 2,5 m/s² o meno

Incertezza (K): 1,5 m/s²

- Il valore dichiarato di emissione delle vibrazioni è stato misurato secondo il metodo di test standard test e può essere utilizzato per confrontare due utensili.
- Il valore dichiarato di emissione delle vibrazioni può essere utilizzato anche in una valutazione preliminare dell'esposizione.

AVVERTENZA:


- L'emissione delle vibrazioni durante l'uso effettivo dell'utensile potrebbe essere diversa da quella dichiarata a seconda di come viene impiegato l'utensile.
- Assicurarsi di identificare le misure di sicurezza necessarie per proteggere l'operatore in base a una stima dell'esposizione a rischi nelle condizioni effettive d'uso, tenendo presenti tutte le fasi del ciclo operativo come i periodi in cui l'utensile è spento o non è in funzione, oltre al tempo di attivazione.

Dichiarazione di conformità CE

Solo per i Paesi europei

La dichiarazione di conformità CE è inclusa nell'allegato A in questo manuale di istruzioni.

Avvertenze generali sulla sicurezza per gli utensili elettrici

 **AVVERTENZA** Leggere tutte le avvertenze sulla sicurezza e tutte le istruzioni. Qualora non si seguissero tali avvertenze e istruzioni, potrebbero verificarsi scosse elettriche, incendi e/o lesioni personali gravi.

Conservare le avvertenze e le istruzioni per riferimento futuro.

Il termine "utensile elettrico" nelle avvertenze si riferisce all'utensile collegato alla presa elettrica (con cavo) o alimentato a batterie (senza cavo).

Sicurezza nell'area di lavoro

1. **L'area di lavoro deve essere sempre pulita e ben illuminata.** La presenza di aree in disordine o oscure potrebbe facilitare possibili incidenti.
2. **Non utilizzare gli utensili elettrici in condizioni che potrebbero favorire esplosioni, ad esempio in presenza di liquidi infiammabili, gas o polvere.** Gli utensili elettrici generano scintille che potrebbero incendiare le polveri o le esalazioni.
3. **Tenere lontani i bambini e altre persone presenti mentre si utilizza l'utensile elettrico.** Eventuali distrazioni potrebbero causare la perdita del controllo dell'utensile elettrico.

Sicurezza elettrica

4. **Le spine degli utensili elettrici devono corrispondere alle prese di corrente. Non modificare in alcun modo la spina. Non utilizzare adattatori per spine con utensili elettrici con messa a terra.** L'uso di spine non modificate che si adattano alle prese di corrente riduce il rischio di scosse elettriche.
5. **Evitare il contatto con superfici messe a terra come condutture, termosifoni, forni e frigoriferi.** Qualora così fosse, potrebbero aumentare i rischi di scosse elettriche.
6. **Non esporre gli utensili elettrici alla pioggia o a condizioni di umidità.** I rischi di scosse elettriche potrebbero aumentare qualora nell'utensile elettrico dovesse penetrare dell'acqua.
7. **Non torcere o sollecitare eccessivamente il cavo. Non utilizzare mai il cavo per trasportare, tirare o scollegare dalla presa l'utensile elettrico. Tenere lontano il cavo da fonti di calore, olio, estremità appuntite o parti mobili.** I rischi di scosse elettriche potrebbero aumentare se il cavo è danneggiato o attorcigliato.
8. **Quando si utilizza un utensile elettrico all'aperto, utilizzare una prolunga adeguata.** Ciò riduce il rischio di scosse elettriche.
9. **Se è imprescindibile utilizzare un utensile elettrico in un luogo umido, utilizzare una presa di corrente con interruttore salvavita.** Ciò riduce i rischi di scosse elettriche.

Sicurezza personale

10. **Quando si utilizza un utensile elettrico è necessario rimanere vigili, prestare attenzione a quello che si sta facendo e ricorrere al buon senso. Non utilizzare un utensile elettrico se si è stanchi o sotto l'effetto di droghe, alcol o farmaci.** Un momento di disattenzione durante l'utilizzo degli utensili elettrici può provocare gravi lesioni personali.
11. **Indossare indumenti protettivi. Indossare protezioni per orecchie e occhi.** I dispositivi di protezione, come maschere antipolvere, calzature antinfortunistiche e antiscivolo, elmetti o protezioni acustiche ridurranno il rischio di lesioni personali, se usati nelle adeguate circostanze.
12. **Evitare l'avvio accidentale dell'utensile. Verificare che l'interruttore si trovi nella posizione OFF prima di collegare l'utensile alla presa di corrente, inserire la batteria, raccogliere o trasportare l'utensile.** Se gli utensili elettrici vengono trasportati con il dito sull'interruttore o se vengono collegati alla presa di corrente con l'interruttore in posizione ON, possono verificarsi incidenti.
13. **Prima di avviare l'utensile, rimuovere qualsiasi strumento di regolazione o chiave.** Una chiave o un utensile fissati a un elemento rotante possono causare lesioni personali.
14. **Non sporgersi. Mantenere sempre l'equilibrio e un punto d'appoggio adeguati.** Ciò consente di controllare meglio l'utensile elettrico in situazioni impreviste.

15. **Indossare un abbigliamento adeguato. Non indossare abiti o oggetti che potrebbero rimanere impigliati. Mantenere capelli, vestiti e guanti lontano dalle parti mobili.** Abiti svolazzanti, oggetti o capelli lunghi possono rimanere impigliati nelle parti mobili.
16. **Se vengono forniti dispositivi per il collegamento di sistemi di estrazione e raccolta della polvere, verificare che vengano collegati e utilizzati correttamente.** L'uso di tali dispositivi riduce i rischi causati dalla polvere.

Uso e cura degli utensili elettrici

17. **Non forzare l'utensile elettrico. Utilizzare l'utensile adatto all'attività da svolgere.** L'uso dell'utensile corretto consentirà di lavorare meglio, in modo più sicuro e alla velocità per cui questo è stato progettato.
18. **Non utilizzare l'utensile elettrico se l'interruttore di accensione e spegnimento non funziona.** Se un utensile elettrico non può essere controllato con l'interruttore, è pericoloso e deve essere riparato.
19. **Prima di effettuare qualsiasi regolazione, sostituire gli accessori o riporre l'utensile dopo l'uso, disinserire la spina dalla presa di corrente e/ o la batteria.** Queste misure preventive per la sicurezza riducono il rischio di avviare l'utensile elettrico inavvertitamente.
20. **Quando gli utensili elettrici non vengono utilizzati, conservarli fuori dalla portata dei bambini e non consentirne l'utilizzo a persone che non conoscono le presenti istruzioni.** Gli utensili elettrici sono pericolosi se impiegati da operatori non preparati.
21. **Sottoporre regolarmente gli utensili elettrici a manutenzione. Controllare eventuali disallineamenti o blocchi delle parti mobili, la rottura di parti e qualsiasi altra circostanza che possa influenzare il funzionamento dell'utensile elettrico. Se danneggiato, far riparare l'utensile prima dell'uso.** Molti incidenti vengono causati da utensili elettrici non sottoposti a regolare manutenzione.
22. **Mantenere gli utensili per il taglio affilati e puliti.** Gli utensili per il taglio si inceppano di meno e sono più facili da controllare se sottoposti ad adeguata manutenzione e mantenuti con i bordi della lama sempre taglienti.
23. **Utilizzare l'utensile, gli accessori, le punte ecc. conformemente a queste istruzioni, tenendo conto delle condizioni di lavoro e dell'operazione da effettuare.** L'uso dell'utensile per operazioni diverse da quelle previste potrebbe indurre a situazioni pericolose.

Uso e cura degli utensili a batteria

24. **Per la ricarica, usare soltanto il caricatore fornito dal produttore.** Un caricabatterie specifico per un tipo di batteria potrebbe generare rischi di combustione se usato con un'altra batteria.
25. **Utilizzare utensili elettrici dotati solo di batterie specifiche.** L'uso di altre batterie potrebbe generare rischi di lesioni personali e incendi.
26. **Quando la batteria non è in uso, tenerla lontana da oggetti metallici come graffette, monete, chiodi, viti o altri oggetti simili di piccole dimensioni che**

potrebbero entrare a contatto con i terminali. Il cortocircuito dei terminali della batteria potrebbero generare ustioni o incendi.

27. **In condizioni di uso inadeguato, dalla batteria potrebbe fuoriuscire del liquido. Evitare che entri a contatto con il corpo. In caso di contatto, pulire a fondo con acqua. Se il liquido entra a contatto con gli occhi, rivolgersi immediatamente a un medico.** Il liquido fuoriuscito dalla batteria potrebbe causare irritazioni o ustioni.

Assistenza

28. **Le riparazioni devono essere eseguite da personale qualificato e utilizzando solo pezzi di ricambio identici a quelli da sostituire.** Ciò garantisce la sicurezza dell'utensile elettrico.
29. **Osservare le istruzioni di lubrificazione e sostituzione degli accessori.**
30. **Tenere le maniglie asciutte, pulite e prive di olio e grasso.**

AVVERTENZE SULLA SICUREZZA DEL TAGLIA-TONDINI A BATTERIA

1. **Tenere saldamente l'utensile mentre lo si usa.** In caso contrario, si potrebbero verificare lesioni personali.
2. **Mantenere mani e volto lontano dalle parti mobili.** Potrebbero verificarsi lesioni personali.
3. **Rilasciare immediatamente l'interruttore a grilletto per arrestare l'utensile se questo si guasta o emette un suono anomalo durante l'uso. Farlo controllare e riparare presso un centro di assistenza autorizzato.** In caso contrario, si potrebbero verificare danni o lesioni personali.
4. **Se si fa cadere o si sbatte l'utensile, controllare attentamente che non sia danneggiato, incrinato o deformato.** questi danni potrebbero causare lesioni personali.
5. **Questo è un utensile elettroidraulico. Il serbatoio dell'olio è stato riempito prima della consegna. Non aggiungere altro olio a meno che l'utensile non funzioni in modo anomalo.**
6. **Le lame di taglio in metallo sono affilate.** Maneggiarle con attenzione per evitare di tagliarsi.
7. **Se le lame sono danneggiate, deformate o incrinata, potrebbero causare incidenti gravi e impedire il corretto funzionamento dell'utensile.** Sostituirle subito con lame originali nuove.

CONSERVARE QUESTE ISTRUZIONI.

⚠ AVVERTENZA:

NON lasciare che la familiarità acquisita con il prodotto (dovuta all'uso ripetuto) provochi l'insosservanza delle regole di sicurezza per l'uso dell'utensile in questione. Se questo utensile viene utilizzato in modo improprio o errato, potrebbero verificarsi lesioni personali gravi.

ISTRUZIONI PER LA SICUREZZA

PER LA CARTUCCIA DELLA BATTERIA

1. **Prima di usare la cartuccia della batteria, leggere tutte le istruzioni e le avvertenze sul (1) caricabatteria, sulla (2) batteria e sul (3) prodotto che utilizza la batteria.**
2. **Non smontare la cartuccia della batteria.**
3. **Se il tempo di utilizzo è diventato molto corto, smettere immediatamente di usare l'elettrodomestico. Potrebbero verificarsi rischi di surriscaldamento, possibili ustioni ed esplosioni.**
4. **Se l'elettrolita entra a contatto con gli occhi, risciacquarli con acqua corrente e rivolgersi immediatamente ad un medico. Ciò potrebbe causare la perdita della vista.**
5. **Non cortocircuitare la cartuccia della batteria:**
 - (1) **Non toccare i terminali con qualche metallo conduttivo.**
 - (2) **Evitare di conservare la cartuccia della batteria in un contenitore con altri oggetti metallici come chiodi, monete ecc.**
 - (3) **Non esporre la cartuccia della batteria all'acqua o alla pioggia.****Un cortocircuito della batteria può causare sbalzi eccessivi di corrente, surriscaldamento, possibili ustioni e guasti permanenti.**
6. **Non conservare l'utensile e la cartuccia della batteria in luoghi in cui la temperatura può raggiungere o superare i 50°C.**
7. **Non incenerire la cartuccia della batteria anche se è gravemente danneggiata o è completamente esaurita. La cartuccia della batteria può esplodere e provocare incendi.**
8. **Fare attenzione a non lasciar cadere o a colpire la batteria.**
9. **Non usare una batteria danneggiata.**
10. **Attenersi alle normative locali sullo smaltimento delle batterie.**

CONSERVARE QUESTE ISTRUZIONI.

Suggerimenti per mantenere la durata massima della batteria

1. **Caricare la cartuccia della batteria prima che si scarichi completamente. Smettere sempre di usare l'utensile e caricare la cartuccia della batteria quando si nota che la potenza dell'utensile è diminuita.**
2. **Non ricaricare mai una cartuccia della batteria completamente carica. La sovraccarica riduce la durata della batteria.**
3. **Caricare la cartuccia della batteria con una temperatura ambiente compresa tra 10°C e 40°C. Lasciar raffreddare una cartuccia della batteria calda prima di caricarla.**
4. **Caricare la cartuccia della batteria una volta ogni sei mesi se non si intende usarla per un lungo periodo di tempo.**

DESCRIZIONE FUNZIONALE

⚠ ATTENZIONE:

- Accertarsi sempre che l'utensile sia spento e che la batteria sia stata rimossa prima di regolare o di controllare il funzionamento dell'utensile.

Installazione o rimozione della cartuccia della batteria (Fig. 1)

⚠ ATTENZIONE:

- Spegnerne sempre l'utensile prima di inserire o di rimuovere la cartuccia della batteria.
- **Tenere saldamente l'utensile e la cartuccia della batteria quando questa viene installata o rimossa.** In caso contrario, l'utensile e la cartuccia della batteria potrebbero scivolare dalle mani con conseguenti danni agli oggetti o alle persone.

Per rimuovere la cartuccia della batteria, ritrarla dall'utensile spingendo il pulsante sulla parte anteriore della cartuccia.

Per installare la cartuccia della batteria, allineare l'appendice sulla cartuccia della batteria con la scanalatura dell'alloggiamento e inserirla in posizione. Inserirla sempre completamente finché non si blocca con un piccolo scatto. Se si vede l'indicatore rosso sulla parte superiore del pulsante, vuol dire che non è bloccata completamente.

⚠ ATTENZIONE:

- Installare sempre la cartuccia della batteria completamente finché non si vede più l'indicatore rosso. In caso contrario, potrebbe cadere dall'utensile causando lesioni personali o a chi è vicino alla persona che usa l'elettrodomestico.
- Per installare la cartuccia della batteria non bisogna usare forza. Se la cartuccia della batteria non entra facilmente, vuol dire che non viene inserita correttamente.

Sistema di protezione batteria (batteria agli ioni di litio con indicatore a stella) (Fig. 2)

Le batterie agli ioni di litio con indicatore a stella sono dotate di un sistema di protezione. Questo sistema interrompe automaticamente la corrente all'utensile per estendere la vita della batteria.

L'utensile si arresta automaticamente mentre funziona se esso o la batteria vengono a trovarsi in una delle condizioni seguenti:

• Sovraccarico:

L'utensile viene usato in un modo che causa un assorbimento di corrente anormalmente alto. In tal caso, rilasciare l'interruttore a grilletto dell'utensile e interrompere l'applicazione che ha causato il sovraccarico, quindi premere di nuovo l'interruttore a grilletto per riavviare l'utensile. Se l'utensile non si avvia, vuol dire che la batteria è surriscaldata. In tal caso, lasciar raffreddare la batteria prima di premere di nuovo l'interruttore a grilletto.

- Bassa tensione della batteria:
La capacità restante della batteria è troppo bassa e l'utensile non funziona. In tal caso, rimuovere e ricaricare la batteria.

PROCEDURA OPERATIVA

Leggere, comprendere e osservare tutte le istruzioni sulla sicurezza e le procedure operative. Se non si comprendono le istruzioni o se le condizioni non sono adeguate per il corretto utilizzo dell'utensile, non usarlo. Contattare il proprio supervisore o un altro responsabile.

⚠ AVVERTENZA:

- Prima di inserire la batteria nell'utensile, premere e rilasciare l'interruttore a grilletto per verificare che torni correttamente in posizione.

Il motore è acceso quando si preme l'interruttore a grilletto, mentre è spento quando l'interruttore del grilletto non è premuto.

Funzionamento del blocco dell'interruttore (Fig. 3)

- Premere il blocco dell'interruttore sul lato A.
L'interruttore si sblocca ed è possibile utilizzare il grilletto.
- Premere il blocco dell'interruttore sul lato B.
L'interruttore si blocca e non è possibile utilizzare il grilletto.

⚠ ATTENZIONE:

- L'interruttore a grilletto deve essere sempre bloccato se non si utilizza.

⚠ AVVERTENZA:

- Prima dell'uso, verificare che l'operatore si trovi in un luogo sicuro per l'uso dell'utensile nell'area circostante. Indossare occhiali e indumenti protettivi.
- Fare riferimento alle specifiche dell'utensile descritte in questo manuale e non tagliare barre rinforzate di dimensioni o rigidità superiori alla capacità di taglio dell'utensile.
- Non tagliare materiali diversi dalle barre rinforzate. Se si intende tagliare altri materiali, contattare il produttore.

⚠ AVVERTENZA:

- Sostituire immediatamente le lame danneggiate (scalfite, rotte, incrinare) o deformate. In caso contrario, la lama non sarebbe in grado di tagliare in modo adeguato e potrebbe rompersi causando lesioni personali gravi.

Procedura di taglio

⚠ AVVERTENZA

- **Non utilizzare mai l'utensile senza la protezione in posizione.** In caso contrario, si potrebbero verificare gravi lesioni personali. (Fig. 4)

1. Posizionare la barra rinforzata da tagliare tra le lame. (Fig. 5)
Regolare il fermo (DSC162) o il bullone di fermo (DSC191) in base al diametro della barra rinforzata da tagliare, in modo che questa si trovi a 90° rispetto alle lame. Il fermo (DSC162) o il bullone di fermo (DSC191) supporta la barra rinforzata e la mantiene

perpendicolare rispetto alle lame durante il taglio. (Fig. 6)

⚠ AVVERTENZA

- Quando si taglia una barra rinforzata, regolare il fermo (DSC162) o il bullone di fermo (DSC191) in base al diametro della barra rinforzata da tagliare, in modo che questa si trovi a 90° rispetto alle lame. Senza questa regolazione, il pezzo tagliato potrebbe distaccarsi e causare lesioni personali gravi all'operatore o alle persone circostanti. Controllare sempre il luogo in cui l'operatore utilizza l'utensile e verificare la sicurezza dell'operatore e dell'area circostante.

2. Posizionare la barra rinforzata da tagliare in modo che si trovi completamente tra le lame. (Fig. 7)

⚠ AVVERTENZA

- Se la barra rinforzata da tagliare non è collocata completamente tra le lame, queste verranno danneggiate; inoltre, la barra rinforzata verrà espulsa violentemente e potrebbe causare lesioni personali gravi.

⚠ AVVERTENZA

- Non tagliare la barra rinforzata se il pezzo da tagliare ha una lunghezza inferiore ai 200 mm. Se si taglia una barra rinforzata più corta, questa potrebbe distaccarsi e causare lesioni personali gravi. (Fig. 8)

⚠ AVVERTENZA

- Non tagliare una barra rinforzata non supportata in modo adeguato dal fermo (DSC162) o dal bullone di fermo (DSC191). Al momento del taglio, tenere la barra rinforzata sul lato del fermo (DSC162) o del bullone di fermo (DSC191). (Fig. 9) In caso contrario, il pezzo tagliato potrebbe distaccarsi e causare lesioni personali gravi all'operatore o alle persone circostanti.

3. Premere il blocco dell'interruttore sul lato A.
L'interruttore si sblocca ed è possibile utilizzare il grilletto.
4. Premere l'interruttore a grilletto per iniziare l'operazione di taglio. L'asta taglia-tondini si muove in avanti per tagliare la barra rinforzata. Tenere premuto l'interruttore finché l'asta taglia-tondini non si ferma.
5. Rilasciare l'interruttore a grilletto al termine del taglio e quando l'asta taglia-tondini completa il movimento. Questa tornerà automaticamente nella posizione iniziale. L'asta taglia-tondini non torna in posizione finché non completa il movimento. Inoltre, l'asta taglia-tondini non potrà muoversi di nuovo in avanti finché non torna completamente nella posizione iniziale. Premere l'interruttore per iniziare il taglio successivo solo dopo che l'asta taglia-tondini è tornata completamente nella posizione iniziale ed è ferma.

⚠ AVVERTENZA

- Se si taglia una barra rinforzata con una resistenza alla trazione elevata, il pezzo tagliato potrebbe distaccarsi e causare lesioni personali gravi all'operatore. Indossare occhiali protettivi e verificare che l'area circostante sia sicura prima di iniziare l'operazione di taglio. (Fig. 10)

⚠ AVVERTENZA

- Mantenere mani e volto lontano da lame, parti mobili e area di taglio durante l'operazione. Rimuovere immediatamente la batteria dell'utensile dopo l'uso.

NOTA:

- Evitare che sporcizia e detriti entrino nell'apertura di ventilazione sull'estremità del portabarra. L'apertura di ventilazione controlla la pressione interna e non deve essere ostruita. (Fig. 11)

Funzione di rotazione del motore (Fig. 12)

Il corpo del motore può essere ruotato di 360° in qualsiasi direzione durante l'operazione. Ciò è particolarmente utile quando si lavora in aree scomode o anguste, poiché l'operatore può posizionare l'utensile nel modo migliore per facilitare le operazioni.

Funzionamento della valvola di ritorno (Fig. 13)

La valvola di ritorno consente all'asta taglia-tondini di tornare nella posizione iniziale qualora non possa completare un taglio o si inceppi. Questa valvola consente di rilasciare la pressione dell'olio, in modo che l'asta taglia-tondini torni nella posizione iniziale. Stringere di nuovo la valvola di ritorno dopo che l'asta taglia-tondini torna nella posizione iniziale e prima di iniziare la successiva operazione di taglio.

PROCEDURA DI SOSTITUZIONE DELLE LAME

Se i bordi taglienti delle lame sono scalfiti, incrinati, deformati o danneggiati, la capacità di taglio delle lame

Dimensione della lama di ricambio

● Utilizzare questa tabella per identificare le lame adeguate al proprio modello.

Modello	A (montata sul portabarra)	B (montata sull'asta taglia-tondini)
DSC162 (ø3 - ø16)	22 × 17 × 9 mm (bullone da 5 mm)	22 × 17 × 8 mm (bullone da 5 mm)
DSC191 (ø3 - ø20)	28 × 20 × 11,5 mm (bullone da 6 mm)	26 × 20 × 10 mm (bullone da 5 mm)

NOTA:

- Utilizzare solo lame originali Makita.

AGGIUNTA DELL'OLIO

Questo taglia-tondini a batteria è un utensile elettroidraulico. Il serbatoio dell'olio è stato riempito al momento della spedizione dalla fabbrica. Non tentare di aggiungere olio se l'utensile funziona correttamente. Il livello dell'olio cala con il passare del tempo, causando di conseguenza un peggioramento delle prestazioni. In questo caso, aggiungere l'olio come descritto di seguito.

1. Posizionare una barra rinforzata tra le lame e premere l'interruttore a grilletto.
2. Rilasciare l'interruttore a grilletto poco prima del completamento del taglio per arrestare l'utensile.
3. Rimuovere la batteria dall'utensile in modo che le lame non si muovano accidentalmente.
4. Rimuovere il bullone (SB10x15) che tappa il foro del filtro dell'olio. Aggiungere l'olio, facendo attenzione a non versarlo nel motore.
5. Ricollocare il bullone (SB10x15) e fissarlo saldamente.
6. Reinscrivere la batteria nell'utensile e completare l'operazione di taglio.
7. Ripetere la procedura descritta in precedenza varie volte finché non si ottiene un livello dell'olio adeguato.

viene ridotta. Effettuare operazioni di taglio in queste condizioni potrebbe causare danni ulteriori e anche lesioni personali. Se si rilevano danni alle lame, sostituirle immediatamente.

⚠ AVVERTENZA

- Quando si sostituiscono le lame, assicurarsi di rimuovere la batteria dall'utensile per evitare che enti in funzione accidentalmente.

Assicurarsi che la lama A sul portabarra e la lama B sull'asta taglia-tondini siano montate in posizione corretta. (Fig. 14)

1. Togliere le viti e le rondelle che fermano la lama A e la lama B.
2. Rimuovere la sporcizia e pulire le superfici nei punti in cui devono essere montate le nuove lame.
3. Montare la lama A sul portabarra e la lama B sull'asta taglia-tondini. Ricollocare viti e rondelle e fissarle saldamente.

⚠ AVVERTENZA

- I bulloni che fermano la lama A e la lama B devono essere stretti periodicamente. Se i bulloni si allentano, le lame potrebbero danneggiarsi e causare lesioni personali.

Tipo di lama di ricambio e distacco (Fig. 15)

Stringere saldamente i bulloni di blocco.

Verificare periodicamente che le lame siano ben fissate.

⚠ ATTENZIONE

- Utilizzare solo olio idraulico puro consigliato da Makita & Company Ltd. per questo utensile. Alcuni di quelli consigliati sono l'olio idraulico fornito da Makita, Super Hyrando #46 (JX Nippon Oil & Energy Corp.), Shell Tellus Plus #46 (U.S. Shell) o un olio idraulico equivalente specifico contro l'usura, con viscosità di grado 46 secondo lo standard ISO. Non utilizzare altri oli poiché potrebbero danneggiare gli anelli di tenuta e altre parti interne del macchinario.

RISOLUZIONE DEI PROBLEMI

AVVERTENZA:

- Rimuovere la batteria prima di eseguire qualsiasi intervento sul macchinario.

PROBLEMA	CAUSA	SOLUZIONE
L'asta taglia-tondini non si allunga.	Olio insufficiente	Rabboccare l'olio (vedere "Aggiunta dell'olio")
	L'asta taglia-tondini non è tornata completamente in posizione a causa di un accumulo di detriti tra l'asta taglia-tondini e il portabarra.	Spingere manualmente indietro l'asta taglia-tondini. Rimuovere i detriti e pulire
	L'asta taglia-tondini non è tornata completamente in posizione poiché è danneggiata.	Sostituire l'asta taglia-tondini.
	L'asta taglia-tondini non è tornata completamente in posizione poiché le lame sono allentate o danneggiate.	Stringere i bulloni delle lame. Sostituire le lame
	L'asta taglia-tondini non è tornata completamente in posizione poiché la molla di ritorno è lenta.	Sostituire la molla di ritorno.
Potenza insufficiente per tagliare la barra rinforzata.	Olio insufficiente.	Rabboccare l'olio (vedere "Aggiunta dell'olio")
	La valvola di ritorno non è collocata in modo adeguato o l'alloggiamento è danneggiato.	Pulire la punta della valvola di ritorno e l'alloggiamento. Rimuovere eventuali scalfitture dall'alloggiamento.
	La valvola di ritorno è danneggiata.	Sostituirla.
	Distanza errata tra cilindro e pistone.	Sostituire il pistone (Nota: sono disponibili pistoni con dimensioni diverse)
	La valvola di controllo non è collocata in modo adeguato o l'alloggiamento è danneggiato.	Pulire la valvola di controllo e l'alloggiamento. Sostituirla.
L'imbottitura di poliuretano è danneggiata o rotta.	Sostituirla.	
Perdite d'olio.	Il serbatoio del livellatore dell'olio è danneggiato o rotto.	Sostituirla.
	L'o-ring dell'asta taglia-tondini o del portabarra è danneggiato; la superficie dell'asta o del portabarra è graffiata o presenta solchi.	Sostituire l'anello e l'o-ring. Sostituire l'asta taglia-tondini o il portabarra.
	L'o-ring del cilindro o del portabarra è danneggiato.	Sostituire l'o-ring.
	La guarnizione del cilindro o della scatola della pompa è danneggiata.	Sostituire il rivestimento B.
	I bulloni del taglia-tondini, del cilindro o della scatola della pompa sono allentati.	Stringere i bulloni.
Il motore non si muove. Movimento lento o irregolare del motore.	La tensione è errata.	Ricaricare la batteria.
	La batteria sta per raggiungere il limite di durata utile.	Sostituire la batteria.
	Il motore CC è danneggiato a causa di surriscaldamento.	Sostituire il motore CC.
	I cuscinetti o gli ingranaggi del motore CC sono danneggiati o rotti.	Sostituire i cuscinetti o gli ingranaggi.

NOTA:

- I componenti interni dell'area della pompa e del pistone hanno tolleranze minime e sono sensibili a danni dovuti a polvere, detriti, contaminazione del fluido idraulico e uso improprio dell'utensile. Lo smontaggio dell'alloggiamento della pompa richiede strumenti e conoscenze speciali e deve essere eseguito solo da personale tecnico specializzato che dispone di tali strumenti e conoscenze. Interventi non adeguati sui componenti elettrici potrebbero generare situazioni con rischi di lesioni personali gravi. Le operazioni di manutenzione sui componenti della pompa e del pistone e su tutte le parti elettriche devono essere eseguite solo da personale tecnico autorizzato, dal rivenditore o dal distributore.

MANUTENZIONE

ATTENZIONE:

- Accertarsi sempre che l'utensile sia spento e che la batteria sia stata rimossa prima di provare a eseguire operazioni di ispezione o di manutenzione.
- Non usare mai benzina, benzene, solventi, alcol e altre sostanze simili. Potrebbero causare scolorimenti, deformazioni o crepe.

Sostituzione delle spazzole in fibra di carbonio (Fig. 16)

Sostituire quando si consumano fino a raggiungere l'indicatore limite. Le spazzole in fibra di carbonio devono sempre essere pulite e devono poter entrare facilmente negli appositi alloggiamenti. Entrambe le spazzole in fibra di carbonio devono essere sostituite contemporaneamente. Utilizzare solo spazzole in fibra di carbonio identiche.

Utilizzare un cacciavite per togliere le due viti, quindi togliere il coperchio posteriore. **(Fig. 17)**

Sollevarlo il braccio della molla e posizionarlo all'interno della parte del vano di alloggiamento con un cacciavite fino a punta piatta o un utensile simile. **(Fig. 18)**

Utilizzare le pinze per rimuovere i tappi delle spazzole in fibra di carbonio. Estrarre le spazzole in fibra di carbonio usurate, inserire quelle nuove e ricollocare i tappi delle spazzole in fibra di carbonio. **(Fig. 19)**

Assicurarsi che i tappi delle spazzole in fibra di carbonio siano ben fissati. **(Fig. 20)**

Reinstallare il coperchio posteriore e stringere saldamente le due viti. Per preservare la SICUREZZA e L'AFFIDABILITÀ del prodotto, le riparazioni, la manutenzione o la regolazione devono essere eseguite da un Centro Assistenza Makita autorizzato usando sempre ricambi Makita.

ACCESSORI OPZIONALI

ATTENZIONE:

- Si consigliano questi accessori o prolunghie per l'uso con l'utensile Makita specificato in questo manuale. L'utilizzo di qualsiasi altro accessorio o prolunga potrebbe comportare il rischio di incidenti. Usare soltanto gli accessori o le prolunghie per lo scopo prefissato.

Per maggiori dettagli riguardo a questi accessori, rivolgersi al Centro di Assistenza Makita locale.

- Batterie e caricabatterie autentici Makita

NOTA:

- Alcuni articoli nella lista potrebbero essere inclusi nell'imballo dell'utensile come accessori standard. Potrebbero variare a seconda del Paese.

NEDERLANDS (Originele instructies)

Uitleg bij het overzicht

- | | | |
|-------------------------|-----------------------|----------------------------|
| 1. Rode markering | 13. Aanslagstuk | 25. Blad A op stanghouder |
| 2. Knop | 14. Meer dan 200 mm | 26. Blad B op snijderstang |
| 3. Accu | 15. Luchtgat | 27. Reservebladen |
| 4. Stermarkering | 16. Inbussleutel | 28. Limietmarkering |
| 5. Vergrendelschakelaar | 17. Retourklep | 29. Achterklep |
| 6. Trekker | 18. Blad A (dik blad) | 30. Schroeven |
| 7. Kant A | 19. Blad B (dik blad) | 31. Arm |
| 8. Kant B | 20. Bout (lang) | 32. Veer |
| 9. Beveiliging | 21. Bout (kort) | 33. Inspringend deel |
| 10. Vergrendelbout | 22. Onderlegging | 34. Kap van koolborstel |
| 11. Betonstaal | 23. Stanghouder | 35. Gat |
| 12. Bladen | 24. Snijderstang | |

SPECIFICATIES

Model	DSC162	DSC191
Max. snijcapaciteit (diameter mm.)		
Klasse 40 - klasse 60		
Klasse 40: Treksterkte 490 N/mm ² 70.000 PSI	16 mm	20 mm
Klasse 60: Treksterkte 620 N/mm ² 90.000 PSI		
Snijnsnelheid	4,0 seconde	6,5 seconde
Totale lengte	380 mm	412 mm
Nettogewicht	6,5 kg	10,5 kg
Nominale spanning	18 V gelijkstroom	

- Vanwege voortdurende onderzoek en ontwikkeling behouden wij ons het recht voor bovenstaande technische gegevens zonder voorafgaande kennisgeving te wijzigen.
- De technische gegevens en het type accu kunnen per land verschillen.
- Gewicht, inclusief accu, conform de EPTA-procedure 01/2003

Symbolen

Hieronder ziet u de symbolen die in deze gebruiksaanwijzing worden gebruikt. Bekijk deze voordat u het apparaat gaat gebruiken.



..... Raadpleeg de gebruiksaanwijzing.



..... Gevaar voor rondvliegend vuil en hard geluid. Draag oor- en oogbescherming.



..... Bewegend blad. Houd handen uit de buurt terwijl de machine werkt. Schakel de stroom uit voordat onderhoud wordt verricht.



..... Alleen voor landen binnen de EU
Gooi elektronische apparatuur en accu's niet weg met het gewone huishoudafval!
Conform de Europese WEEE-richtlijnen (Waste Electric and Electronic Equipment) betreffende het weggooien van defecte elektronische apparatuur, batterijen, accu's en opladers en nationale wetgeving op dit gebied, moeten elektronische apparaten en gebruikte batterijen en accu's afzonderlijk worden ingeleverd voor recycling bij een geschikt inzamelpunt.

Gebruik

Het apparaat is bedoeld voor het snijden van betonstaal.

Geluid

Het typische A-gewogen geluidsniveau bepaald volgens EN 60745:

Geluidsdruk niveau (LpA): 80,5 dB(A)

Geluidsvermogen niveau (LWA): 90,1 dB(A)

Onzekerheid (K): 3 dB(A)

Draag oorbescherming

Trilling

De totale trillingswaarde (vectorsom van de drie assen) bepaalde volgens EN 60745:

Werkstand: betonstaal snijden

Trillingsafgifte (a_{rh}): 2,5 m/s² of minder

Onzekerheid (K): 1,5 m/s²

- De vermelde trillingsafgiftewaarde is gemeten volgens de standaard testmethode en kan worden gebruikt om twee apparaten met elkaar te vergelijken.
- De vermelde trillingsafgiftewaarde kan ook worden gebruikt in een voorlopige beoordeling van de blootstelling.

⚠ WAARSCHUWING:

- De trillingsafgifte tijdens werkelijk gebruik van het machinegereedschap kan verschillen van de vermelde emissiewaarde, afhankelijk van hoe het apparaat wordt gebruikt.
- Bepaal welke veiligheidsmaatregelen moeten worden genomen om de gebruiker te beschermen op basis van de blootstelling tijdens de werkelijke gebruiksomstandigheden (Houd rekening met de gehele gebruikscyclus, dus niet alleen wanneer er gesneden wordt (trekkertijd) maar ook wanneer het apparaat wordt uitgeschakeld en stationair loopt).

EC-verklaring van conformiteit

Alleen voor Europese landen

De EC-verklaring van conformiteit is opgenomen in Bijlage A bij deze handleiding.

Algemene veiligheidswaarschuwingen voor machinegereedschap

⚠ WAARSCHUWING Lees alle

veiligheidswaarschuwingen en instructies. Als u de waarschuwingen en instructies niet volgt, kunt u een elektrische schok, brand en/of ernstige verwondingen veroorzaken.

Bewaar alle waarschuwingen en instructies voor later.

De term "machinegereedschap" in de waarschuwingen verwijst naar gereedschap dat werkt op netvoeding (bekabeld) of op batterijen (draadloos).

Veiligheid op de werkplek

1. **Zorg dat de werkplek schoon en goed verlicht is.**
Werken tussen rommel en op donkere plekken leidt tot ongevallen.
2. **Gebruik machinegereedschap niet in een omgeving met ontploffingsgevaar, zoals in de buurt van ontvlambare vloeistoffen, gassen of stof.** Machinegereedschap maakt vonken, waardoor stof of gasdampen kunnen ontbranden.

3. **Houd kinderen en omstanders uit de buurt wanneer u machinegereedschap gebruikt.** U kunt afgeleid worden en de controle over het apparaat verliezen.

Electriciteit en veiligheid

4. **De stekker van het machinegereedschap moet nauwkeurig op het stopcontact passen. Wijzig de stekker nooit op enige wijze. Gebruik geen verloopstekker met geaard machinegereedschap.** Gebruik van de ongewijzigde stekker en een passend stopcontact vermindert het risico op een elektrische schok.
5. **Voorkom contact met geaarde oppervlakken zoals leidingen, radiators, verwarmingsapparaten en koelkasten.** U loopt een groter risico op een elektrische schok als uw lichaam geaard is.
6. **Stel het machinegereedschap niet bloot aan regen en vocht.** Als er water in het machinegereedschap dringt, bestaat er een groter risico op een elektrische schok.
7. **Gebruik het snoer alleen zoals het hoort. Gebruik het snoer nooit om het machinegereedschap mee te dragen of te trekken. Trek ook niet aan het snoer om de stekker uit het stopcontact te halen. Houd het snoer uit de buurt van warmtebronnen, olie, scherpe randen en bewegende delen.** Een beschadigd of gewikkeld snoer verhoogt het risico op een elektrische schok.
8. **Als u het machinegereedschap buitenshuis gebruikt, gebruik dan een verlengsnoer dat geschikt is voor gebruik buiten.** Gebruik van een snoer dat geschikt voor buiten vermindert het risico op een elektrische schok.
9. **Als het machinegereedschap onvermijdelijk op een vochtige plek moet worden gebruikt, gebruik dan een voedingsbron met een aardlekschakelaar.** Gebruik van een aardlekschakelaar vermindert het risico op een elektrische schok.

Persoonlijke veiligheid

10. **Blijf alert, kijk wat u doet en gebruik uw gezond verstand bij gebruik van het machinegereedschap. Gebruik geen machinegereedschap als u moe bent of drugs, alcohol of medicijnen hebt genomen.** Ook als u ook maar even niet oplet tijdens gebruik van het machinegereedschap, kunt u een ongeval met ernstige verwondingen oplopen of veroorzaken.
11. **Gebruik persoonlijke beschermingsuitrusting. Draag altijd oogbescherming.** U vermindert het risico op verwondingen als u gepaste beschermingsuitrusting draagt zoals een stofmasker, veiligheidsschoenen met antislipzolen, een helm, en oorbescherming.
12. **Voorkom dat het apparaat onverhoeds kan starten. Controleer of de schakelaar is uitgeschakeld voordat u de stroom en/of de accu aansluit. Controleer dat ook voordat u het gereedschap oppakt of meeneemt.** U kunt ongevallen veroorzaken als u het machinegereedschap draagt met uw vinger aan de trekker of er stroom op zet als de schakelaar aanstaat.

13. **Verwijder alle gereedschap en sleutels voor aanpassing van het machinegereedschap voordat u het aanzet.** Als er nog een sleutel zit op een ronddraaiend onderdeel van het machinegereedschap, kunt u verwondingen veroorzaken.
14. **Reik niet te ver. Zorg dat u altijd stevig staat en uw evenwicht niet kunt verliezen.** Zo houdt u in een onverwachte situatie het machinegereedschap beter onder controle.
15. **Controleer uw kleding. Draag geen loszittende kleding of sieraden. Houd uw handen, kleding en handschoenen uit de buurt van bewegende delen.** Loszittende kleding, sieraden en lang haar kunnen verstrikt raken in bewegende delen.
16. **Als er afzuigapparatuur is, zorg dan dat die aangesloten is en correct wordt gebruikt.** Door stofafzuiging kunt u risico's door stof verminderen.

Gebruik en behandeling van machinegereedschap

17. **Gebruik het machinegereedschap niet boven zijn capaciteit. Gebruik het geschikte machinegereedschap voor uw toepassing.** Het machinegereedschap werkt beter en veiliger als u het gebruikt voor het doel en op de manier waarvoor het is bedoeld.
18. **Gebruik het machinegereedschap niet als de schakelaar niet kan worden aan- en uitgezet.** Alle machinegereedschap waarvan de schakelaar niet werkt, is gevaarlijk en moet gerepareerd worden.
19. **Haal de stekker uit de stroombron en/of de accu uit het machinegereedschap voordat u aanpassingen maakt, accessoires vervangt of het gereedschap opbergt.** Hiermee voorkomt u dat het machinegereedschap per ongeluk wordt ingeschakeld.
20. **Bewaar het machinegereedschap na gebruik buiten bereik van kinderen. Zorg dat het niet kan worden gebruikt door personen die niet vertrouwd zijn met het apparaat of de instructies niet gelezen hebben.** Machinegereedschap is gevaarlijk in de handen van ongetrainde gebruikers.
21. **Onderhoud uw machinegereedschap. Controleer bewegende delen op hun uitlijning en vastlopen, en kijk voor beschadigingen en andere problemen die de werking van het apparaat beïnvloeden. Als het machinegereedschap beschadigd is, moet u het vóór gebruik laten repareren.** Veel ongevallen worden veroorzaakt omdat het machinegereedschap niet goed is onderhouden.
22. **Houd snijgereedschap scherp en schoon.** Snijgereedschap dat goed is onderhouden en scherpe snijranden heeft, heeft minder risico op vastlopen en is gemakkelijker in gebruik.
23. **Gebruik het machinegereedschap, de accessoires en bijbehorende onderdelen enz. volgens de instructies. Houd daarbij rekening met de werkomstandigheden en het werk dat gedaan wordt.** U creëert risico's als u het machinegereedschap gebruikt voor andere doeleinden dan waarvoor het bedoeld is.

Gebruik en behandeling van gereedschap op batterijen

24. **Gebruik voor het opladen uitsluitend de oplader die door de fabrikant is gespecificeerd.** Een oplader die geschikt is voor een bepaald type accu kan brandgevaar opleveren als die met een ander type accu wordt gebruikt.
25. **Gebruik het machinegereedschap uitsluitend met de accu die de fabrikant heeft gespecificeerd.** Alle andere accu's kunnen brand of verwondingen veroorzaken.
26. **Als de accu niet wordt gebruikt, mag die niet in de buurt van andere metalen voorwerpen (zoals paperclips, munten, sleutels, spijkers, schroeven of andere kleine metalen voorwerpen) worden bewaard, omdat dat tot kortsluiting kan leiden.** Kortsluiting van de accuaansluitingen kan brandwonden of brand veroorzaken.
27. **Als u de accu verkeerd gebruikt, kan er vloeistof uit lekken. Raak deze vloeistof niet aan. Als u de vloeistof per ongeluk toch aanraakt, spoel het betreffende lichaamsdeel dan schoon met water. Als de vloeistof in contact komt met uw ogen, moet u een arts raadplegen.** De vloeistof die uit de accu lekt, kan irritatie of brandwonden veroorzaken.

Onderhoud

28. **Laat het machinegereedschap nakijken door een gekwalificeerde monteur. Gebruik bij vervanging uitsluitend identieke onderdelen.** Zo bent u ervan verzekerd dat het machinegereedschap betrouwbaar blijft.
29. **Volg de instructies voor smering en vervanging van accessoires.**
30. **Houd de handgrepen droog, schoon en vrij van olie en vet.**

VEILIGHEIDSWAARSCHUWINGE N VOOR DE DRAADLOZE STAALDRAADSNIJDER

1. **Houd het apparaat tijdens gebruik stevig vast.** Als u het apparaat niet stevig vasthoudt, kunt u verwondingen oplopen.
2. **Houd uw handen en gezicht uit de buurt van bewegende delen.** Ze kunnen verwondingen veroorzaken.
3. **Laat onmiddellijk de trekker los om het apparaat te stoppen wanneer het niet normaal werkt of een vreemd geluid maakt. Laat het apparaat nakijken en repareren door een bevoegd onderhoudscentrum.** Als u dat niet doet, kunt u beschadigingen of verwondingen veroorzaken.
4. **Als het apparaat laat vallen of ergens tegenaan stoot, controleer dan nauwkeurig of de behuizing niet is beschadigd, gebarsten of vervormd.** Door zulke beschadigingen kunnen verwondingen ontstaan.
5. **Dit is een elektrohydraulisch apparaat. Het oliereservoir werd voor de levering gevuld. Vul geen olie bij behalve als het apparaat abnormaal werkt.**

6. De bladen voor het snijden van metaal hebben scherpe randen. Behandel ze voorzichtig om te voorkomen dat u zich snijdt.
7. Beschadigde, vervormde of gebarsten bladen kunnen ernstige ongevallen veroorzaken en de werking verstoren. Vervang ze onmiddellijk door nieuwe bladen van de fabrikant.

BEWAAR DEZE INSTRUCTIES.

⚠ WAARSCHUWING:

Let erop dat u **NIET** door gebruiksgemak (na veel gebruik) laks wordt met de veiligheidsregels voor dit apparaat. U moet ze strikt volgen. **MISBRUIK** of nalatigheid om de veiligheidsregels in deze gebruiksaanwijzing op te volgen, kan ernstige verwondingen veroorzaken.

BELANGRIJKE VEILIGHEIDSinSTRUCTIES

VOOR DE ACCU

1. Lees voordat u de accu gaat gebruiken alle instructies en waarschuwingen op (1) de accuoplader, (2) de accu, en (3) het product waarin de accu wordt gebruikt.
2. Haal de accu niet uit elkaar.
3. Als de gebruikstijd van een opgeladen accu aanzienlijk korter is geworden, moet u het gebruik van de accu onmiddellijk stopzetten. Als u de accu blijft gebruiken, kunnen oververhitting, brandwonden of zelfs een ontploffing het gevolg zijn.
4. Als er batterijvloeistof in uw ogen is terechtgekomen, spoel uw ogen dan met schoon water uit en roep onmiddellijk de hulp in van een arts. Batterijvloeistof kan blindheid veroorzaken.
5. Voorkom kortsluiting van de accu:
 - (1) Raak de accuklemmen nooit aan met een geleidend materiaal.
 - (2) Bewaar de accu niet in een bak waarin andere metalen voorwerpen zoals spijkers, munten en dergelijke worden bewaard.
 - (3) Stel de accu niet bloot aan water of regen. Kortsluiting van de accu kan een grote stroomafgifte, oververhitting, brandwonden en defecten veroorzaken.
6. Bewaar het gereedschap en de accu niet op plaatsen waar de temperatuur kan oplopen tot 50°C of hoger.
7. Verbrand de accu niet, ook niet wanneer deze zwaar beschadigd is of volledig versleten. De accu kan ontploffen in het vuur.
8. Laat de accu niet vallen en stoot de accu nergens tegenaan.
9. Gebruik nooit een beschadigde accu.
10. Houd u aan de lokale wetgeving met betrekking tot het weggooien van accu's.

BEWAAR DEZE INSTRUCTIES.

Tips voor een maximale levensduur van de accu

1. Laad de accu op voordat hij helemaal leeg is. Gebruik het apparaat niet meer en laad de accu op wanneer u merkt dat het vermogen afneemt.
2. Laad een volledig opgeladen accu nooit opnieuw op. Als u de accu te veel oplaadt, zal hij minder lang meegaan.
3. Laad de accu op bij een kamertemperatuur van 10°C tot 40°C. Laat een warme accu afkoelen voordat u die oplaadt.
4. Laad de accu zeker elk half jaar één keer op als u de accu geruime tijd niet gebruikt.

GEbruIKSBESCHRIJVING

⚠ LET OP:

- Zorg er altijd voor dat het gereedschap is uitgeschakeld en de accu eruit is verwijderd voordat u werkzaamheden aan het apparaat gaat uitvoeren.

De accu installeren of verwijderen (afb. 1)

⚠ LET OP:

- Schakel het apparaat altijd uit voordat u de accu plaatst of verwijderd.
- Houd het apparaat en de accu stevig vast bij het plaatsen of verwijderen van de accu. Als u dat niet doet, bestaat de kans dat het apparaat of de accu uit uw handen glijt, en dat kan resulteren in schade aan het apparaat of aan de accu of in lichamelijk letsel.

De accu verwijderen: schuif hem uit het apparaat terwijl u de knop aan de voorzijde van de accu verschuift.

De accu plaatsen: breng de tong van de accu op één lijn met de groef in de behuizing, en schuif de accu op zijn plaats. Schuif de accu zo ver mogelijk in het apparaat tot deze op zijn plaats vast klikt. Als u de rode markering bovenaan de knop kunt zien, is de accu niet volledig vastgezet.

⚠ LET OP:

- Plaats de accu er helemaal in tot de rode indicator niet zichtbaar is. Als u dat niet doet, kan de accu uit het apparaat vallen en u of iemand anders verwonden.
- Gebruik geen kracht bij het plaatsen van de accu. Als de accu niet vanzelf op zijn plaats vast klikt, is hij niet juist geplaatst.

Accubeveiligingssysteem (lithium-ionenaccu met een stermarkering) (afb. 2)

Lithium-ionenaccu's met een stermarkering zijn voorzien van een beveiligingssysteem. Dit systeem stopt de stroomtoevoer van het apparaat automatisch om de levensduur van de accu te verlengen. Het apparaat stopt tijdens gebruik automatisch wanneer het apparaat zelf en/of de accu aan één van de volgende omstandigheden wordt blootgesteld:

- Overbelasting:
Als het apparaat zodanig wordt gebruikt dat het abnormaal veel stroom trekt.
In dat geval laat u de trekker van het apparaat los en verhelpt u de oorzaak van de overbelasting. Druk daarna de trekker in om hem opnieuw te starten.
Als het apparaat niet start, is de accu oververhit. Laat de accu in dat geval afkoelen voordat u de trekker opnieuw indrukt.
- Onvoldoende accuspanning:
Als de resterende accuspanning onvoldoende is, zal het apparaat niet werken. In dat geval verwijdt u de accu en laadt u die opnieuw op.

BEDIENING

Lees alle veiligheidsinstructies en bedieningsprocedures. Zorg dat u ze begrijpt en volg ze. Gebruik het apparaat niet als u bepaalde instructies niet begrijpt of als de omstandigheden niet geschikt zijn voor gebruik. Overleg met uw leider of iemand anders die verantwoordelijk is.

⚠ WAARSCHUWING:

- Controleer voordat u de accu plaatst of de trekker correct ontspant door hem in te drukken en los te laten. De motor gaat aan als u de trekker indrukt, en gaat uit als u de trekker loslaat.

Bediening van de vergrendelschakelaar (afb. 3)

- Druk de vergrendelschakelaar aan kant A in. De schakelaar wordt ontgrendeld en de trekker kan gebruikt worden.
- Druk de vergrendelschakelaar aan kant B in. De schakelaar wordt vergrendeld en de trekker kan niet gebruikt worden.

⚠ LET OP:

- De trekker moet altijd vergrendeld zijn wanneer u het apparaat niet gebruikt.

⚠ WAARSCHUWING:

- Controleer vóór gebruik of de gebruiker veilig staat ten opzichte van het apparaat, en of de omgeving veilig is. Draag een veiligheidsbril en beschermende kleding.
- Raadpleeg de specificaties van het apparaat in deze handleiding. Snijd geen betonstaal van een grootte of hardheid die de capaciteit van het apparaat overschrijdt.
- Snijd geen ander materiaal dan betonstaal. Neem contact op met de fabrikant als u ander materiaal wilt snijden.

⚠ WAARSCHUWING:

- Vervang beschadigde (ingekeerde, gebroken, gebarsten) of vervormde bladen onmiddellijk. Het blad zal niet goed snijden en kan breken of barsten. Daarbij kan het zware verwondingen veroorzaken.

Snijden

⚠ WAARSCHUWING

- Gebruik het apparaat nooit zonder de beveiliging. Als u dat toch doet, kunt u zware verwondingen oplopen. (afb. 4)
1. Plaats het betonstaal dat u wilt snijden tussen de bladen. (afb. 5)

Pas het aanslagstuk (DSC162) of de vergrendelbout (DSC191) aan de diameter aan van het betonstaal dat u wilt snijden. Het betonstaal moet loodrecht (90 graden) op de bladen komen te staan. Het aanslagstuk (DSC162) of de vergrendelbout (DSC191) ondersteunt het betonstaal, en houdt het tijdens het snijden loodrecht op de bladen. (afb. 6)

⚠ WAARSCHUWING

- Wanneer u betonstaal gaat snijden, pas dan het aanslagstuk (DSC162) of de vergrendelbout (DSC191) aan de diameter aan van het betonstaal dat u wilt snijden. Het betonstaal moet loodrecht (90 graden) op de bladen komen te staan. Zonder deze aanpassing kan het stuk dat u snijdt, wegschieten en u of omstanders ernstig verwonden. Controleer altijd of de gebruiker veilig staat ten opzichte van het apparaat en of de omgeving veilig is.
2. Plaats het betonstaal zo dat het zich helemaal tussen de bladen bevindt. (afb. 7)

⚠ WAARSCHUWING

- Als het betonstaal niet helemaal tussen de bladen is geplaatst, dan worden de bladen beschadigd. Het betonstaal zal hard uit het apparaat worden geslagen en kan zware verwondingen veroorzaken.

⚠ WAARSCHUWING

- Snijd geen betonstaal dat korter is dan 200 mm. Als u korter materiaal snijdt, kan het betonstaal tijdens het snijden wegschieten en zware verwondingen veroorzaken. (afb. 8)

⚠ WAARSCHUWING

- Snijd betonstaal niet als het niet correct wordt ondersteund door het aanslagstuk (DSC162) of de vergrendelbout (DSC191). Houd bij het snijden het betonstaal vast aan de kant van het aanslagstuk (DSC162) of de vergrendelbout (DSC191). (afb. 9) Als u dat niet doet, kan het stuk dat u snijdt, wegschieten en u of omstanders ernstig verwonden.
3. Druk de vergrendelschakelaar aan kant A in. De schakelaar wordt ontgrendeld en de trekker kan gebruikt worden.
 4. Druk de trekker in om de snijbewerking te starten. De snijderstang beweegt naar voren om het betonstaal te snijden. Houd de schakelaar los tot de snijderstang stopt op het einde van zijn slag.
 5. Laat de trekker los als de snede voltooid is en de snijderstang het einde van zijn slag heeft bereikt. De snijderstang keert dan automatisch terug naar zijn beginstand. De snijderstang keert niet terug als de slag niet voltooid is. Op dezelfde wijze kan de snijderstang pas opnieuw naar voren bewegen nadat hij volledig is teruggekeerd naar zijn beginstand. Druk de schakelaar in om de volgende snijbewerking te starten. Doe dit pas nadat de snijderstang volledig naar zijn beginstand teruggekeerd en gestopt is.

⚠ WAARSCHUWING

- Als het betonstaal dat u snijdt een hoge treksterkte heeft, kan het afgesneden stuk wegschieten en zware verwondingen veroorzaken. Draag een veiligheidsbril en controleer de omgeving of u veilig kunt werken voordat u begint. (afb. 10)

⚠ WAARSCHUWING

- Houd tijdens gebruik uw handen uit de buurt van de bladen, bewegende delen en de plaats waar gesneden wordt.
Verwijder de accu na gebruik onmiddellijk uit het apparaat.

OPMERKING:

- Houd het luchtgat aan het einde van de stanghouder schoon en vrij van vuil en stukjes. Het luchtgat regelt de interne druk en mag niet verstopt raken. (afb. 11)

Rotatie van de motor (afb. 12)

De motor kan tijdens gebruik 360 graden gedraaid worden in beide richtingen. Dit is vooral handig als u in een smalle ruimte werkt, omdat u het gereedschap in de beste positie kunt houden om gemakkelijk te werken.

Werking van de retourklep (afb. 13)

De retourklep zorgt ervoor dat de snijderstang naar zijn beginstand kan terugkeren als een snijbewerking niet kan worden voltooid of als hij geblokkeerd raakt. Hierdoor wordt de oliedruk afgelaten en kan de snijderstang terugkeren. Zet de retourklep weer vast nadat de snijderstang volledig is teruggekeerd en voordat u de volgende bewerking start.

DE BLADEN VERVANGEN

Als de snijranden van de bladen zijn ingekerfd, gebarsten, vervormd of op een andere manier zijn beschadigd, kunnen ze niet meer goed snijden. Als u dan toch blijft snijden, kunt u ze verder beschadigen en een ongeval met ernstige verwondingen veroorzaken. Als u een beschadiging vaststelt, moeten de bladen onmiddellijk allebei worden vervangen.

⚠ WAARSCHUWING

- Verwijder de accu uit het apparaat voordat u de bladen vervangt om te voorkomen dat het apparaat per ongeluk kan worden ingeschakeld.

Controleer of blad A (op de stanghouder) en blad B (op de snijderstang) zich elk op de juiste positie bevinden. (afb. 14)

1. Verwijder de bouten en de onderleggingen die blad A en blad B op hun plaats houden.
2. Verwijder vuil en reinig de oppervlakken waar de nieuwe bladen worden gemonteerd.
3. Plaats blad A op de stanghouder en blad B op de snijderstang. Plaats de onderleggingen en de bouten terug en draai ze stevig aan.

⚠ WAARSCHUWING

- Draai de bouten van blad A en blad B regelmatig aan. Als de bouten loskomen, kunnen de bladen beschadigd worden en zware verwondingen veroorzaken.

Type reserveblad en verwijdering (afb. 15)

De vastzetbouten moeten stevig worden aangedraaid. Controleer regelmatig of het blad goed vastzit.

Grootte reserveblad

● Bepaal met deze tabel het juiste blad voor uw model.

Model	A (op stanghouder)	B (op snijderstang)
DSC162 (ø3 - ø16)	22 × 17 × 9 mm (boutgrootte 5 mm)	22 × 17 × 8 mm (boutgrootte 5 mm)
DSC191 (ø3 - ø20)	28 × 20 × 11,5 mm (boutgrootte 6 mm)	26 × 20 × 10 mm (boutgrootte 5 mm)

OPMERKING:

- Gebruik alleen oorspronkelijke bladen van Makita.

OLIE BIJVULLEN

De draadloze betonstaalsnijder werkt elektrohydraulisch. Bij verzending uit de fabriek was de olie bijgevuld. Vul geen olie bij zolang het apparaat goed werkt. Na verloop van tijd zal het oliepeil geleidelijk dalen. Uiteindelijk zult u merken dat de prestaties aanzienlijk afnemen. Vul dan als volgt olie bij.

1. Plaats betonstaal tussen de bladen en duw de trekker in.
2. Laat de trekker los vlak voordat de snede is voltooid om het apparaat te stoppen.
3. Verwijder de accu uit het apparaat zodat de bladen niet per ongeluk kunnen bewegen.
4. Verwijder de bout (SB10x15) van het oliebijvulgat. Vul de olie bij. Let op dat u geen olie morst op de motor.
5. Plaats de bout (SB10x15) terug en draai hem stevig aan.
6. Plaats de accu terug in het apparaat en voltooi de snijbewerking.

7. Herhaal deze procedure enkele keren tot het oliepeil correct blijft.

⚠ LET OP

- Gebruik in dit apparaat alleen zuivere hydraulische olie die wordt aanbevolen door Makita & Company Ltd. De volgende soorten olie worden aanbevolen: hydraulische olie die door Makita wordt geleverd, Super Hyrando #46 (JX Nippon Oil & Energy Corp.), Shell Tellus Plus #46 (U.S. Shell), of andere hydraulische olie tegen slijtage met gelijkwaardige specificaties en een ISO-viscositeitsklasse van 46. Gebruik geen andere soorten olie omdat daardoor de afzettingen en andere machineonderdelen beschadigd kunnen worden.

PROBLEMEN OPLOSSEN

⚠ WAARSCHUWING:

- Verwijder de batterij voordat u werkzaamheden uitvoert aan het apparaat.

PROBLEEM	OORZAAK	OPLOSSING
Snijderstang komt niet naar voren.	Onvoldoende olie	Vul olie bij. (Raadpleeg het gedeelte "Olie bijvullen")
	De snijderstang is niet volledig teruggekeerd omdat er vuil zit tussen de snijderstang en de stanghouder.	Duw de snijderstang met de hand terug. Verwijder vuil en maak het apparaat schoon.
	De snijderstang is niet volledig teruggekeerd omdat hij beschadigd is.	Vervang de snijderstang.
	De snijderstang is niet volledig teruggekeerd omdat de bladen loszitten of beschadigd zijn.	Zet de bouten van de bladen vast. Vervang de bladen.
	De snijderstang is niet volledig teruggekeerd omdat de terugdrukveer verzwakt is.	Vervang de terugdrukveer.
Onvoldoende vermogen om betonstaal te snijden.	Onvoldoende olie.	Vul olie bij. (Raadpleeg het gedeelte "Olie bijvullen")
	De retourklep zit niet op zijn plaats of zijn bevestigingsplaats is beschadigd.	Reinig de punt van de retourklep en zijn bevestigingsplaats. Verwijder krassen van de bevestigingsplaats.
	Retourklep, beschadigd.	Vervangen.
	Verkeerde speling tussen cilinder en zuiger.	Vervang de zuiger (opmerking: zuigers zijn in verschillende maten verkrijgbaar)
	Controleer de klep, zit niet op zijn plaats of bevestigingsplaats is beschadigd.	Reinig en controleer de klep en zijn bevestigingsplaats. Vervangen.
	Urethaan-afdichting, beschadigd of gebarsten.	Vervangen.
Er lekt olie.	Olietank is beschadigd of kapot.	Vervangen.
	Snijderstang/stanghouder, o-ring beschadigd; stang/stanghouder, oppervlak gekrast of gegroefd.	Vervang reservering en o-ring. Vervang snijderstang/stanghouder
	Cilinder/stanghouder, o-ring beschadigd.	Vervang o-ring.
	Cilinder/pompkast, afdichting beschadigd.	Vervang inlegger B.
	Stangsnijder/cilinder/pompkast, flensbouten los.	Zet de bouten vast.
Motor draait niet. Motor langzaam of onregelmatig.	Verkeerde spanning.	Laad de accu op.
	De accu heeft het einde van zijn levensduur bereikt.	Vervang de accu.
	Wisselstroommotor beschadigd door oververhitting.	Vervang de wisselstroommotor.
	Lagers of tandwielen van wisselstroommotor beschadigd of gebarsten.	Vervang lagers of tandwielen.

OPMERKING:

- De interne componenten van de pomp en het kleppengebied hebben hele nauwe toleranties en zijn gevoelig voor schade door stof, vuil, verontreiniging van de hydraulische vloeistof of onjuiste behandeling. Voor de demontage van het pomphuis is speciaal gereedschap en opleiding vereist. Dit mag alleen worden gedaan door gekwalificeerd onderhoudspersoneel dat hiervoor is opgeleid en het juiste gereedschap heeft. Onjuist onderhoud aan elektrische onderdelen kan leiden tot situaties waarin ernstige verwondingen kunnen ontstaan. De pomp, de kleponderdelen en alle elektrische onderdelen mogen alleen worden onderhouden door een erkende monteur, dealer of distributeur.

ONDERHOUD

LET OP:

- Controleer altijd of het apparaat is uitgeschakeld en de accu eruit is verwijderd voordat u inspectie of werkzaamheden aan het apparaat gaat uitvoeren.
- Gebruik nooit wasbenzine, benzine, verfverdunner, alcohol of iets dergelijks. Dat kan namelijk leiden tot verkleuring, vervorming of barsten.

De koolborstels vervangen (afb. 16)

Vervang ze wanneer ze versleten zijn tot de limietmarkering. Houd de koolborstels schoon en vrij op hun plaats in de houder. Vervang beide koolborstels tegelijkertijd. Gebruik alleen identieke koolborstels.

Verwijder de twee schroeven met een schroevendraaier, en verwijder vervolgens de achterklep. (afb. 17)

Til het armgedeelte van de veer op en plaats het in het inspringende deel van de behuizing. Gebruik daarbij bijvoorbeeld een platte schroevendraaier of een dunne as. (afb. 18)

Verwijder met een tang de kappen van de koolborstels. Haal de versleten koolborstels eruit, plaats de nieuwe, en zet de kappen ervan in omgekeerde volgorde weer op hun plaats. (afb. 19)

Controleer of de kappen van de koolborstels goed op hun plaats zitten in de gaten van de borstelhouders. (afb. 20)

Zet de achterklep terug op zijn plaats en draai de twee schroeven goed vast. Om de VEILIGHEID en BETROUWBAARHEID van het product te garanderen, moeten alle reparaties en onderhoudswerkzaamheden of afstellingen door een erkend Makita-servicecentrum worden uitgevoerd, en mogen uitsluitend vervangingsonderdelen van Makita worden gebruikt.

OPTIONELE ACCESSOIRES

LET OP:

- Deze accessoires of hulpstukken worden aanbevolen voor gebruik met het Makita-apparaat dat in deze gebruiksaanwijzing wordt beschreven. Gebruik van andere accessoires of hulpstukken verhoogt het risico op lichamelijk letsel. Gebruik de accessoires of hulpstukken uitsluitend voor de aangegeven doelen.

Voor meer informatie over deze accessoires kunt u contact opnemen met uw plaatselijke Makita-servicecentrum.

- Originele Makita-accu en -oplader

OPMERKING:

- Sommige items in de lijst kunnen als standaardaccessoires met het apparaat zijn meegeleverd. Dat verschilt per land.

ESPAÑOL (Instrucciones originales)

Explicación de la vista general

- | | | |
|----------------------------|--------------------------------------|--|
| 1. Indicador rojo | 13. Tope | 25. Cuchilla A en soporte de la barra |
| 2. Botón | 14. Más de 200 mm | 26. Cuchilla B en varilla del cortador |
| 3. Cartucho de batería | 15. Orificio de aire | 27. Cuchillas de repuesto |
| 4. Marca de estrella | 16. Llave hexagonal | 28. Marca de límite |
| 5. Bloqueo del interruptor | 17. Válvula de retorno | 29. Cubierta posterior |
| 6. Gatillo interruptor | 18. Cuchilla A (cuchilla más gruesa) | 30. Tornillos |
| 7. Cara A | 19. Cuchilla B (cuchilla más gruesa) | 31. Brazo |
| 8. Cara B | 20. Perno (más largo) | 32. Muelle |
| 9. Protector | 21. Perno (más corto) | 33. Pieza encastrada |
| 10. Perno de sujeción | 22. Arandela | 34. Tapón de la escobilla de carbón |
| 11. Barra de refuerzo | 23. Soporte de la barra | 35. Orificio |
| 12. Cuchillas | 24. Varilla del cortador | |


ESPECIFICACIONES


Modelo	DSC162	DSC191
Capacidad de corte máx. (diámetro en mm)	16 mm	20 mm
Grado 40 - Grado 60		
Grado 40: resistencia a tensión 490 N/mm ² 70.000 PSI		
Grado 60: resistencia a tensión 620 N/mm ² 90.000 PSI		
Velocidad de corte	4,0 segundos	6,5 segundos
Longitud total	380 mm	412 mm
Peso neto	6,5 kg	10,5 kg
Tensión nominal	CC 18 V	


- Debido a nuestro continuo programa de investigación y desarrollo, las especificaciones en este manual están sujetas a cambios sin previo aviso.
- Las especificaciones y el cartucho de batería pueden diferir de país a país.
- Peso, con el cartucho de batería, de acuerdo con el procedimiento EPTA 01/2003

Símbolos

A continuación se muestran los símbolos utilizados con este equipo. Asegúrese de que entiende su significado antes de usarlo.

 Lea el manual de instrucciones.

 Utilice protección para los oídos y los ojos, ya que saltan restos del material y el nivel de ruido es alto.

 Las cuchillas están en movimiento. Mantenga las manos alejadas mientras la máquina está en funcionamiento. Desenchúfela antes de realizar tareas de mantenimiento.



..... Solo para países de la Unión Europea
¡No tire aparatos eléctricos ni baterías a la basura junto con los residuos domésticos!

En conformidad con las Directivas Europeas sobre residuos de aparatos eléctricos y electrónicos y sobre baterías y acumuladores y residuos de baterías y de acumuladores y su aplicación de acuerdo con la legislación nacional, los aparatos eléctricos y las baterías cuya vida útil haya llegado a su fin se deberán recoger por separado y trasladar a una planta de reciclaje que cumpla con las exigencias ecológicas.

Uso previsto

La herramienta se utiliza para cortar barras de refuerzo.

Ruido

El nivel de ruido ponderado medio establecido según la EN60745:

Nivel de presión acústica (LpA): 80,5 dB (A)

Nivel de potencia acústica (LWA): 90,1 dB (A)

Indeterminación (K): 3 dB (A)

Utilice protección para los oídos

Vibración

El valor total de vibración (suma de vectores triaxiales) establecido según la EN60745:

Modo de funcionamiento: corte de barras de refuerzo

Emisión de vibración (a_h): 2,5 m/s² o menos

Indeterminación (K): 1,5 m/s²

- El valor de emisión de vibración se ha medido de acuerdo con el método de prueba estándar y se puede utilizar para comparar una herramienta con otra.
- El valor de emisión de vibración también se puede utilizar en una evaluación preliminar de la exposición.

⚠ ADVERTENCIA:

- La emisión de vibración durante el uso real de la herramienta eléctrica puede diferir del valor de emisión declarado dependiendo de las formas en que se utilice la herramienta.
- Asegúrese de identificar las medidas de seguridad para proteger al operador que se basan en una estimación de la exposición en las condiciones reales de uso (teniendo en cuenta todas las partes del ciclo de funcionamiento como los periodos de tiempos durante los cuales la herramienta está apagada y en marcha lenta, además del tiempo de activación).

Declaración de conformidad de la CE

Solo para países europeos

La declaración de conformidad de la CE se incluye en el anexo A de este manual de instrucciones.

Advertencias generales de seguridad para herramientas eléctricas

⚠ **ADVERTENCIA** Lea todas las advertencias de seguridad y todas las instrucciones. Si no se siguen las advertencias e instrucciones, pueden producirse descargas eléctricas, incendios o lesiones graves.

Guarde todas las advertencias e instrucciones para referencia futura.

El término "herramienta eléctrica" en las advertencias se refiere a la herramienta eléctrica (con cable) alimentada mediante la red eléctrica o a la herramienta eléctrica (sin cable) alimentada mediante la batería.

Seguridad de la zona de trabajo

1. **Mantenga la zona de trabajo limpia y bien iluminada.** Las áreas desorganizadas o oscuras son dadas a los accidentes.
2. **No utilice herramientas eléctricas en atmósferas explosivas como, por ejemplo, en la presencia de líquidos, gases o polvos inflamables.** Las herramientas eléctricas sueltan chispas que pueden encender el polvo o los vapores.

3. **Mantenga a los niños y a otras personas presentes alejados cuando esté utilizando una herramienta eléctrica.** Las distracciones pueden hacer que pierda el control.

Seguridad eléctrica

4. **Los enchufes de la herramienta eléctrica deben coincidir con las tomas de corriente. Nunca modifique el enchufe de ninguna manera. No utilice enchufes adaptadores con las herramientas eléctricas con conexión a tierra (toma de tierra).** Los enchufes no modificados y las tomas coincidentes reducirán el riesgo de descarga eléctrica.
5. **No toque superficies conectadas a tierra como tuberías, radiadores, cocinas y frigoríficos.** Hay un mayor riesgo de descarga eléctrica si el cuerpo está conectado a tierra.
6. **No exponga las herramientas eléctricas a entornos lluviosos o húmedos.** En caso de que entre agua en una herramienta eléctrica, se incrementará el riesgo de descarga eléctrica.
7. **Utilice el cable correctamente. Nunca utilice el cable para transportar la herramienta eléctrica, desconectarla o tirar de ella. Mantenga el cable alejado del calor, del aceite, de los bordes afilados o de las piezas móviles.** Los cables dañados o enredados aumentan el riesgo de descarga eléctrica.
8. **Cuando utilice la herramienta eléctrica en el exterior, utilice un cable alargador adecuado para uso en exteriores.** El uso de un cable adecuado para uso en exteriores reduce el riesgo de descarga eléctrica.
9. **Si es inevitable utilizar una herramienta eléctrica en un lugar húmedo, utilice una fuente protegida mediante un interruptor de circuito por falla a tierra (GFCI, Ground Fault Circuit Interrupter).** El uso de un GFCI reduce el riesgo de descarga eléctrica.

Seguridad personal

10. **Permanezca alerta, no se distraiga y use el sentido común cuando utilice una herramienta eléctrica. No utilice una herramienta eléctrica cuando esté cansado o bajo los efectos de las drogas, del alcohol o de los medicamentos.** Un momento de distracción mientras utiliza este tipo de herramientas, puede ocasionar lesiones personales graves.
11. **Utilice equipo de protección personal. Siempre use protección para los ojos.** Un equipo de protección como, por ejemplo, máscaras contra el polvo, zapatos de seguridad antideslizantes, cascos o protección auditiva, utilizado en condiciones adecuadas reducirá las lesiones personales.
12. **Evite que la herramienta se encienda sin querer. Asegúrese de que el interruptor se encuentra en la posición de apagado antes de conectarla a la red eléctrica o a la batería, levantarla o transportarla.** Al transportar las herramientas eléctricas con el dedo sobre el interruptor o al enchufarlas con el interruptor en la posición de encendido, es posible que se produzcan accidentes.
13. **Extraiga cualquier llave de ajuste antes de encender la herramienta.** Si se deja una llave acoplada a una parte giratoria de la herramienta eléctrica, puede ocasionar lesiones personales.

14. **No incline el cuerpo demasiado. Mantenga el equilibrio adecuado en todo momento.** Esto permite un mejor control de la herramienta eléctrica en situaciones inesperadas.
15. **Vístase adecuadamente. No lleve ropa suelta o joyas. Mantenga el pelo, la ropa y los guantes alejados de las piezas móviles.** Las piezas móviles podrían atrapar la ropa suelta, las joyas o el pelo largo.
16. **Si se proporcionan dispositivos para conectarlos con las instalaciones de extracción y recogida de polvo, asegúrese de que están conectados y se utilizan correctamente.** El uso de recolectores de polvo puede reducir los riesgos relacionados con el polvo.

Uso y mantenimiento de la herramienta eléctrica

17. **No fuerce la herramienta eléctrica. Utilice la herramienta eléctrica adecuada para su aplicación.** La herramienta eléctrica correcta hará un trabajo mejor y más seguro a la velocidad para la cual se diseñó.
18. **No utilice la herramienta eléctrica si el interruptor no se enciende ni se apaga.** Cualquier herramienta eléctrica que no se pueda controlar mediante el interruptor, es peligrosa y debe repararse.
19. **Desconecte el enchufe de la fuente de alimentación o la batería de la herramienta eléctrica antes de realizar cualquier ajuste, cambio de accesorios o guardarla.** Tales medidas de seguridad preventivas reducen el riesgo de poner en marcha la herramienta eléctrica accidentalmente.
20. **Guarde las herramientas eléctricas fuera del alcance de los niños y no permita que personas que no estén familiarizadas con este tipo de herramientas o con estas instrucciones las utilicen.** Las herramientas eléctricas son peligrosas en manos de usuarios inexpertos.
21. **Mantenga las herramientas eléctricas. Compruebe que las partes móviles no estén desalineadas o atascadas, que no haya piezas rotas, o cualquier otra circunstancia que pueda afectar al funcionamiento de la herramienta eléctrica. En caso de que esté dañada, mande a reparar la herramienta antes de volver a utilizarla.** Muchos de los accidentes están causados por herramientas eléctricas mal mantenidas.
22. **Mantenga las herramientas de corte afiladas y limpias.** Las herramientas de corte que se mantienen correctamente con los bordes afilados son menos propensas a atascarse y a perder el control.
23. **Utilice las herramientas eléctricas, sus accesorios y brocas de acuerdo con estas instrucciones, teniendo en cuenta las condiciones de trabajo y el trabajo que debe realizar.** El uso de la herramienta eléctrica para otras tareas diferentes para las que se diseñó, podría provocar una situación de peligro.

Uso y mantenimiento de la batería

24. **Efectúe la recarga solo con el cargador especificado por el fabricante.** Un cargador que es adecuado para un tipo batería puede generar riesgos de incendios si se utiliza con otra batería.
25. **Utilice solo herramientas eléctricas con baterías que se hayan designado específicamente.** El uso

de otras baterías pueden generar riesgos de lesiones e incendios.

26. **Cuando la batería no se encuentre en uso, manténgala siempre alejada de otros objetos metálicos, como clips de oficina, monedas, llaves, clavos, tornillo u otros objetos metálicos pequeños que puedan provocar una conexión de un terminal al otro.** Si se cortocircuitan los terminales de la batería entre sí, se pueden producir quemaduras o incendios.
27. **En caso de condiciones abusivas, puede salir expulsado líquido de la batería; evite su contacto. Si se produce un contacto accidental, lave la zona afectada con agua. Si el líquido entra en contacto con los ojos, busque adicionalmente ayuda médica.** El líquido expulsado de la batería puede provocar irritaciones o quemaduras.

Servicio

28. **La reparación de la herramienta eléctrica solo la podrá realizar una persona cualificada que utilice exclusivamente piezas de recambio idénticas.** Ello asegurará que se mantenga la seguridad de la herramienta eléctrica.
29. **Sigas las instrucciones de lubricación y cambio de accesorios.**
30. **Mantenga las empuñaduras secas, limpias y libres de aceite y grasa.**

ADVERTENCIAS DE SEGURIDAD DEL CORTADORA DE VARILLA A BATERÍA

1. **Sostenga la herramienta con firmeza cuando la esté utilizando.** De lo contrario, podría sufrir lesiones.
2. **Mantenga las manos y la cara alejadas de las piezas móviles.** Podrían provocarle lesiones.
3. **Suelte el gatillo interruptor inmediatamente para detener la herramienta cuando no funcione correctamente u oiga un ruido extraño durante su uso. Haga que el centro de servicio autorizado la revise y repare.** En caso contrario, podría ocasionarle daños o lesiones.
4. **Si deja caer o golpea la herramienta, compruebe detenidamente que el cuerpo no se ha dañado, roto o deformado.** Dichos daños podrían causarle lesiones.
5. **Esta herramienta es una herramienta electrohidráulica. Se ha rellenado el depósito de aceite antes de la entrega. No añada aceite a menos que la herramienta no funcione correctamente.**
6. **Las cuchillas metálicas de corte tienen los bordes afilados.** Manéjelas con cuidado para evitar que se corte.
7. **Las cuchillas dañadas, deformadas o rotas pueden causar accidentes graves, así como perjudicar el funcionamiento.** Reemplácelas por cuchillas nuevas y originales inmediatamente.

GUARDE ESTAS INSTRUCCIONES.

⚠ ADVERTENCIA:

No permita que la comodidad o la familiaridad con el producto (fruto del uso repetido) haga que no respete estrictamente las normas de seguridad del producto en cuestión. El uso indebido o el incumplimiento de las normas de seguridad mencionadas en este manual de instrucciones puede causar lesiones personales graves.

INSTRUCCIONES DE SEGURIDAD IMPORTANTES

PARA EL CARTUCHO DE BATERÍA

1. Antes de utilizar el cartucho de batería, lea todas las instrucciones e indicaciones de precaución sobre (1) el cargador de baterías, (2) la batería, y (3) el producto con el que se utiliza la batería.
2. No desarme el cartucho de batería.
3. Si el tiempo de uso del cartucho de batería se acorta demasiado, deje de usarlo inmediatamente. Podría resultar en un riesgo de recalentamiento, posibles quemaduras e incluso una explosión.
4. Si entra electrolito en sus ojos, lávelos con agua limpia y acuda a un médico inmediatamente. Existe el riesgo de poder perder la vista.
5. No cortocircuite el cartucho de batería:
 - (1) No toque los terminales con ningún material conductor.
 - (2) Evite guardar el cartucho de batería en un cajón junto con otros objetos metálicos, tales como clavos, monedas, etc.
 - (3) No exponga el cartucho de batería al agua ni a la lluvia.

Un cortocircuito en la batería puede producir una gran circulación de corriente, un recalentamiento, posibles quemaduras e incluso una rotura de la misma.
6. No guarde la herramienta ni el cartucho de batería en lugares donde la temperatura pueda alcanzar o exceder los 50 °C.
7. Nunca incinere el cartucho de batería incluso en el caso de que esté dañado seriamente o ya no sirva en absoluto. El cartucho de batería puede explotar si se tira al fuego.
8. Tenga cuidado de no dejar caer ni golpear la batería.
9. No utilice una batería dañada.
10. Observe las regulaciones locales relativas a la eliminación de la batería.

GUARDE ESTAS INSTRUCCIONES.

Consejos para alargar al máximo la vida de servicio de la batería

1. Cargue el cartucho de batería antes de que se descargue completamente. Interrumpa siempre el funcionamiento de la herramienta y cargue el cartucho de batería cuando note menos potencia en la herramienta.
2. No recargue nunca un cartucho de batería que esté completamente cargado. La sobrecarga acortará la vida de servicio de la batería.
3. Cargue el cartucho de batería a temperatura ambiente de 10 °C - 40 °C. Si un cartucho de batería está caliente, déjelo enfriar antes de cargarlo.
4. Cargue el cartucho de batería una vez cada seis meses si no lo utiliza durante un periodo de tiempo prolongado.

DESCRIPCIÓN FUNCIONAL

⚠ PRECAUCIÓN:

- Asegúrese de que la herramienta está apagada y el cartucho de batería retirado antes de ajustar o comprobar el funcionamiento de la herramienta.

Instalación o extracción del cartucho de batería (Fig. 1)

⚠ PRECAUCIÓN:

- Apague siempre la herramienta antes de instalar o extraer el cartucho de batería.
- Para instalar o extraer el cartucho de batería, sujete firmemente la herramienta y el cartucho de batería. Si no sujeta la herramienta y el cartucho de batería firmemente, pueden resbalarse de las manos y provocar daños a la herramienta y al cartucho de batería así como producir lesiones a personas.

Para extraer el cartucho de batería, deslícelo de la aplicación a la vez que desliza el botón de la parte frontal del cartucho.

Para instalar el cartucho de batería, alinee la lengüeta del cartucho de batería con la acanaladura del alojamiento y deslícelo hasta encajarlo en su sitio. Insértelo siempre a tope hasta que quede bloqueado en su sitio produciendo un chasquido. Si puede ver el indicador rojo en el lado superior del botón, no estará bloqueado completamente.

⚠ PRECAUCIÓN:

- Instale siempre el cartucho de batería completamente hasta que no pueda verse el indicador rojo. De lo contrario, podría caerse de la herramienta accidentalmente, pudiendo ocasionarle heridas a usted o a alguien cerca de usted.
- No emplee fuerza cuando instale el cartucho de batería. Si el cartucho no se desliza al interior fácilmente, será porque no está siendo insertado correctamente.

Sistema de protección de la batería (batería de iones de litio con marca de estrella) (Fig. 2)

Las baterías de iones de litio con marca de estrella están equipadas con un sistema de protección. Este sistema corta automáticamente la alimentación de la herramienta para alargar la vida útil de la batería.

La herramienta se detendrá automáticamente durante la operación si la herramienta o la batería se someten a una de las siguientes condiciones:

- **Sobrecarga:**
La herramienta se utiliza de una manera que da lugar a que tenga que absorber una corriente excesivamente alta.
En esta situación, suelte el gatillo interruptor de la herramienta y deje de hacer la tarea que ha ocasionado la sobrecarga del aparato. A continuación vuelva a pulsar el gatillo interruptor para continuarla.
Si la herramienta no se pone en marcha, la batería está sobrecalentada. En esta situación, deje que la batería se enfríe antes de volver a pulsar el gatillo interruptor.
- **Tensión baja en la batería:**
La capacidad de batería restante es muy baja y la aplicación no funcionará. En esta situación, extraiga la batería y vuelva a cargarla.

PROCEDIMIENTO DE FUNCIONAMIENTO

Lea, comprenda y siga todas las instrucciones de seguridad y los procedimientos de funcionamiento. Si no entiende las instrucciones, o si las condiciones no son correctas para un funcionamiento adecuado, no utilice esta herramienta. Consulte a su supervisor o a otro responsable.

⚠ **ADVERTENCIA:**

- Antes de insertar la batería en la herramienta, pulse y suelte el gatillo interruptor para asegurarse de que vuelve cuando lo suelta.

El motor se enciende cuando pulsa el gatillo interruptor y se apaga cuando lo suelta.

Funcionamiento del bloqueo del interruptor (Fig. 3)

- Pulse el bloqueo del interruptor en el lado A, el interruptor se desbloqueará y podrá utilizar el gatillo.
- Pulse el bloqueo del interruptor en el lado B, el interruptor se bloqueará y no podrá utilizar el gatillo.

⚠ **PRECAUCIÓN:**

- El gatillo interruptor debe bloquearse siempre cuando no utilice la herramienta.

⚠ **ADVERTENCIA:**

- Antes de utilizar la herramienta, confirme que tanto la posición del operador, en relación con la herramienta, como la zona circundante son seguras. Póngase gafas de seguridad y ropa de protección.

- Consulte las especificaciones de la herramienta en este manual y no corte barras de refuerzo de tamaño o dureza que supere la capacidad de corte de la herramienta.
- No corte material que no sea la barra de refuerzo. Póngase en contacto con el fabricante si desea cortar otros materiales.

⚠ **ADVERTENCIA:**

- Reemplace inmediatamente las cuchillas dañadas (picadas, rotas o agrietadas) o deformadas. La cuchilla no cortará con precisión y puede quebrarse o romperse causando lesiones personales graves.

Procedimiento de corte

⚠ **ADVERTENCIA**

- **Nunca utilice la herramienta sin el protector colocado.** En caso contrario, puede causar lesiones personales graves. (Fig. 4)
1. Coloque la barra de refuerzo para cortarla entre las cuchillas. (Fig. 5)
Ajuste el tope (DSC162) o el perno de sujeción (DSC191) según el diámetro de la barra de refuerzo que desea cortar de modo que esté colocada a 90 grados respecto a las cuchillas. El tope (DSC162) o el perno de sujeción (DSC191) soporta la barra de refuerzo y la mantiene en posición perpendicular respecto a las cuchillas cuando la corte. (Fig. 6)

⚠ **ADVERTENCIA**

- Al cortar la barra de refuerzo, ajuste el tope (DSC162) o el perno de sujeción (DSC191) según el diámetro de la barra de refuerzo que desea cortar de modo que esté colocada a 90 grados respecto a las cuchillas. Sin este ajuste, la pieza de corte puede salir expulsada y causar heridas graves al operador o a otras personas. No olvide comprobar la posición del operador en relación con la herramienta y confirme la seguridad del operador y la zona circundante.
2. Coloque la barra de refuerzo que desea cortar de modo que esté totalmente entre las cuchillas. (Fig. 7)

⚠ **ADVERTENCIA**

- Si la barra de refuerzo que se va a cortar, no está totalmente colocada entre las cuchillas, estas se dañarán; la barra saldrá expulsada violentamente y puede causar lesiones personales graves.

⚠ **ADVERTENCIA**

- No corte la barra de refuerzo cuando la longitud de esta sea menor de 200 mm. Al cortar una barra de refuerzo que sea más corta, esta puede salir expulsada y puede causar lesiones personales graves. (Fig. 8)

⚠ **ADVERTENCIA**

- No corte la barra de refuerzo cuando el tope (DSC162) o el perno de sujeción (DSC191) no la soporta correctamente. Al cortar la barra de refuerzo, sujétela en el tope (DSC162) o en el perno de sujeción (DSC191). (Fig. 9) De lo contrario, la pieza de corte puede salir expulsada y causar heridas graves al operador o a otras personas.
3. Pulse el bloqueo del interruptor en el lado A, el interruptor se desbloqueará y podrá utilizar el gatillo.

- Pulse el gatillo interruptor para iniciar la tarea de corte. La varilla del cortador se moverá hacia adelante para cortar la barra de refuerzo. Mantenga el gatillo interruptor pulsado hasta que la varilla del cortador se detenga al final del recorrido.
- Suelte el gatillo interruptor cuando finalice el corte y la varilla del cortador haya alcanzado el final del recorrido. La varilla del cortador volverá a continuación a la posición inicial automáticamente. La varilla del cortador no volverá si el recorrido no se completa. De igual forma, la varilla del cortador no podrá avanzar otra vez hasta que no vuelva totalmente a su posición inicial. Pulse el gatillo interruptor para iniciar el próximo corte, solo cuando la varilla del cortador vuelva completamente a la posición inicial y se detenga.

⚠ ADVERTENCIA

- Al cortar la barra de refuerzo con una resistencia a tensión alta, la pieza de corte puede salir expulsada y causarle heridas graves al operador. Póngase gafas de seguridad y confirme que la zona circundante es segura antes de comenzar a utilizar la herramienta. (Fig. 10)

⚠ ADVERTENCIA

- Mantenga las manos y la cara alejadas de las herramientas, las piezas móviles y la zona de corte, durante el funcionamiento. Extraiga la batería de la herramienta inmediatamente después de utilizarla.

NOTA:

- Mantenga el orificio de aire en el extremo del soporte de la barra limpio y sin suciedad ni residuos. El orificio de aire controla la presión interna y no debe estar obstruido. (Fig. 11)

Función giratoria del motor (Fig. 12)

El cuerpo del motor se puede girar 360 grados, en cualquier dirección, durante el funcionamiento. Esta función es especialmente útil cuando se trabaja en zonas incómodas o estrechas ya que permite al operador colocar la herramienta en la mejor posición para facilitar su uso.

Tamaño de la cuchilla de repuesto

● Utilice esta tabla para identificar las cuchillas correctas para su modelo.

Modelo	A (acoplada al soporte de la barra)	B (acoplada a la varilla del cortador)
DSC162 (ø3 - ø16)	22 × 17 × 9 mm (Tamaño del perno 5 mm)	22 × 17 × 8 mm (Tamaño del perno 5 mm)
DSC191 (ø3 - ø20)	28 × 20 × 11,5 mm (Tamaño del perno 6 mm)	26 × 20 × 10 mm (Tamaño del perno 5 mm)

NOTA:

- Utilice únicamente cuchillas Makita originales.

Funcionamiento de válvula de retorno (Fig. 13)

La función de la válvula de retorno es permitir que la varilla del cortador vuelva a la posición inicial si no completa un corte o se atasca. De este modo se liberará la presión del aceite y permitirá volver a la varilla del cortador. Vuelva a apretar la válvula de retorno cuando la varilla del cortador haya vuelto completamente y antes de iniciar la siguiente operación.

PROCEDIMIENTO DE SUSTITUCIÓN DE CUCHILLAS

Si las aristas de corte de las cuchillas están picadas, agrietadas, deformadas o dañadas de alguna manera, se reduce su capacidad de corte. Si corta en tales condiciones se pueden causar más daños y ocasionar lesiones personales. Todo el conjunto de cuchillas debe reemplazarse inmediatamente si encuentra daños.

⚠ ADVERTENCIA

- Al reemplazar las cuchillas, asegúrese de que la batería se extrae de la herramienta para evitar que se inicie el funcionamiento de forma accidental.

Asegúrese de que la cuchilla A, en el soporte de la barra y la cuchilla B, en la varilla del cortador se ajustan en sus respectivas posiciones correctas. (Fig. 14)

- Suelte los pernos y las arandelas que soportan la cuchilla A y la cuchilla B.
- Elimine la suciedad y limpie las superficies donde se van a colocar las cuchillas nuevas.
- Ajuste la cuchilla A en el soporte de la barra y la cuchilla B en la varilla del cortador. Reemplace los pernos y las arandelas, y apriételes firmemente.

⚠ ADVERTENCIA

- Los pernos que soportan la cuchilla A y la cuchilla B deben apretarse con regularidad. Si se aflojan los pernos, las cuchillas pueden dañarse y pueden ocasionar lesiones personales.

Tipo de cuchilla de repuesto y desmontaje (Fig. 15)

Los pernos de seguridad deben estar apretados con firmeza.

Compruebe con regularidad que la cuchilla está apretada correctamente.

AÑADIR ACEITE

Este cortador de barras de refuerzo sin cable es electrohidráulico. Antes de salir de fábrica, se rellenó con aceite. No intente añadir aceite, siempre que la herramienta funcione correctamente. A medida que transcurre el tiempo, el nivel de aceite bajará de forma gradual. Finalmente, esto hará que el nivel de rendimiento caiga notablemente. Cuando esto suceda, añada aceite tal y como se describe a continuación.

1. Coloque algunas barras de refuerzo entre las cuchillas y pulse el gatillo interruptor.
2. Suelte el gatillo interruptor justo antes de que se complete el corte para detener la herramienta.
3. Extraiga la batería de la herramienta, para que las cuchillas no puedan moverse de forma accidental.
4. Extraiga el perno (SB10x15) que cubre el orificio de llenado de aceite. Añada el aceite con cuidado de no derramarlo dentro del motor.
5. Vuelva a colocar el perno (SB10x15) y ajústelo con firmeza.
6. Vuelva a insertar la batería en la herramienta y finalice la operación de corte.
7. Repita el procedimiento anterior varias veces hasta que el nivel de aceite sea el correcto.

PRECAUCIÓN

- Utilice únicamente aceite hidráulico puro en esta herramienta tal y como recomienda Makita & Company Ltd. Entre los aceites recomendados se incluye el aceite hidráulico suministrado por Makita, Super Hyrando #46 (JX Nippon Oil & Energy Corp.); Shell Tellus Plus #46 (U.S. Shell); o aceite hidráulico antidesgaste de especificación equivalente, ISO Viscosity Grade 46. No utilice otros aceites ya que estos pueden causar daños a los sellos y a otras piezas internas de la máquina.

LOCALIZACIÓN DE AVERÍAS

⚠️ ADVERTENCIA:

- Extraiga la batería antes de manipular la herramienta.

PROBLEMA	CAUSA	SOLUCIÓN
La varilla del cortador no se extiende.	Aceite insuficiente.	Rellene el aceite. (Consulte la sección "Añadir aceite")
	La varilla del cortador no ha vuelto completamente debido a la acumulación de restos entre la varilla del cortador y el soporte de la barra.	Haga retroceder manualmente la varilla del cortador. Quite los restos y limpie
	La varilla del cortador no ha vuelto completamente debido a que la varilla del cortador se ha dañado.	Reemplace la varilla del cortador.
	La varilla del cortador no ha vuelto completamente debido a que las cuchillas están sueltas o se han dañado.	Apriete los pernos de las cuchillas. Reemplace las cuchillas
	La varilla del cortador no ha vuelto completamente debido a que el muelle de retroceso está suelto.	Reemplace el muelle de retroceso.
No hay energía suficiente para cortar la barra de refuerzo.	Aceite insuficiente.	Rellene el aceite. (Consulte la sección "Añadir aceite")
	La válvula de retorno no se ha colocado correctamente o el asiento se ha dañado.	Limpie la válvula de retorno y el asiento. Quite los arañazos del asiento.
	Válvula de retorno, dañada.	Reemplace la pieza.
	Holgura incorrecta entre el cilindro y el pistón.	Reemplace el pistón. (Nota: existen pistones de diferentes tamaños).
	La válvula de comprobación no se ha colocado correctamente o el asiento se ha dañado.	Limpie la válvula de comprobación y el asiento. Reemplace la pieza.
Embalaje de uretano, dañado o roto.	Reemplace la pieza.	
El aceite se derrama.	Acumulador de nivelador de aceite, dañado o roto.	Reemplace la pieza.
	Soporte de la barra/varilla del cortador, junta tórica dañados; soporte de la barra/varilla, superficie rayada o rugosa.	Reemplace el anillo de sustitución y la junta tórica. Reemplace la varilla del cortador/soporte de la barra
	Soporte del cilindro/barra, junta tórica dañados.	Reemplace la junta tórica.
	Carcasa del cilindro/bomba, junta dañados.	Reemplace el revestimiento B.
	Carcasa del cortador de barras/cilindro/ bomba, pernos de brida sueltos.	Apriete los pernos.
El motor no se mueve. Motor lento o discontinuo.	Tensión incorrecta.	Cargue la batería.
	Batería al final de su vida útil.	Reemplace la batería.
	Motor DC dañado por sobrecalentamiento.	Reemplace el motor DC.
	Cojinetes o engranaje del motor DC dañados o rotos.	Reemplace los cojinetes o el engranaje.

NOTA:

- Los componentes internos del área de la bomba y el pistón tienen tolerancias muy ajustadas y son sensibles a los daños producidos por el polvo, la suciedad, la contaminación del fluido hidráulico o un manejo incorrecto. El desmontaje de la carcasa de la bomba requiere formación y herramientas especiales y solo debe realizarlo personal cualificado que haya recibido una formación adecuada y que disponga de las herramientas adecuadas. El mantenimiento inadecuado de los componentes eléctricos puede conducir a situaciones que podrían causar daños graves. La bomba, los componentes del pistón y todos los componentes eléctricos deberían repararlos solo el taller de reparación, el vendedor o el distribuidor autorizado.

MANTENIMIENTO

PRECAUCIÓN:

- Asegúrese de que la herramienta está apagada y el cartucho de batería retirado antes de intentar realizar una inspección o mantenimiento.
- No utilice nunca gasolina, bencina, disolvente, alcohol o similares. Podría producir decoloración, deformación o grietas.

Reemplazo de las escobillas de carbón (Fig. 16)

Reemplácelas cuando se hayan gastado según la marca de límite. Mantenga las escobillas limpias y libres para introducir las en los soportes. Las dos escobillas de carbón deben reemplazarse al mismo tiempo. Utilice solo escobillas de carbón que sean idénticas.

Utilice un destornillador para quitar los dos tornillos y, a continuación, extraiga la cubierta posterior. **(Fig. 17)**

Levante la pieza del brazo del muelle y colóquela en la parte cóncava de la carcasa con un destornillador para tornillos de cabeza ranurada del eje delgado o similares. **(Fig. 18)**

Utilice unos alicates para extraer los tapones de las escobillas de carbón. Extraiga las escobillas de carbón desgastadas, inserte las nuevas y reemplace los tapones de las escobillas de carbón en orden inverso. **(Fig. 19)**

Asegúrese de que los tapones de las escobilla de carbón se han ajustado en los soportes de las escobilla con firmeza. **(Fig. 20)**

Vuelva a instalar la cubierta posterior y apriete los dos tornillos con fuerza. Para mantener la SEGURIDAD y la FIABILIDAD del producto, las reparaciones y cualquier otro mantenimiento o ajuste deberán ser realizados por los centros de servicio autorizado de Makita, siempre con piezas de repuesto de Makita.

ACCESORIOS OPCIONALES

PRECAUCIÓN:

- Estos accesorios o acoplamientos están recomendados para utilizarlos con la herramienta Makita especificada en este manual. La utilización de cualquier otro accesorio o acoplamiento podrá suponer un riesgo de sufrir heridas a personas. Utilice los accesorios o acoplamientos solamente para el propósito que han sido diseñados.

Si necesita cualquier tipo de asistencia para más detalles en relación con estos accesorios, pregunte al centro de servicio Makita local.

- Batería y cargador originales de Makita

NOTA:

- Algunos elementos de la lista podrán estar incluidos en el paquete de la herramienta como accesorios estándares. Pueden variar de un país a otro.

Explicação da vista geral

- | | | |
|---------------------------|-----------------------------------|--------------------------------|
| 1. Indicador vermelho | 13. Batente | 25. Lâmina A do torno da barra |
| 2. Botão | 14. Mais de 200 mm | 26. Lâmina B da faca de corte |
| 3. Bateria | 15. Orifício de ventilação | 27. Lâminas de substituição |
| 4. Símbolo de estrela | 16. Chave hexagonal | 28. Marca de limite |
| 5. Travão do interruptor | 17. Válvula de retorno | 29. Tampa traseira |
| 6. Gatilho do interruptor | 18. Lâmina A (Lâmina mais grossa) | 30. Parafusos |
| 7. Lado A | 19. Lâmina B (Lâmina mais grossa) | 31. Braço |
| 8. Lado B | 20. Parafuso (Mais comprido) | 32. Mola |
| 9. Protetor | 21. Parafuso (Mais curto) | 33. Parte concava |
| 10. Parafuso de fixação | 22. Anilha | 34. Tampa da escova de carvão |
| 11. Varão para betão | 23. Suporte da barra | 35. Orifício |
| 12. Lâminas | 24. Faca de corte | |

ESPECIFICAÇÕES

Modelo	DSC162	DSC191
Capacidade máxima de corte (Dia.mm)	16 mm	20 mm
Grau 40 - Grau 60		
Grau 40: Força de tensão 490 N/mm ² 70 000 PSI		
Grau 60: Força de tensão 620 N/mm ² 90 000 PSI		
Velocidade de corte	4,0 segundos	6,5 segundos
Comprimento total	380 mm	412 mm
Peso líquido	6,5 kg	10,5 kg
Tensão nominal	18V C.C.	

- Devido ao nosso programa de pesquisa e desenvolvimento, as especificações indicadas podem ser alteradas sem aviso prévio.
- As especificações e a bateria podem diferir em função do país.
- Peso com a bateria, de acordo com o Procedimento da EPTA 01/2003

Símbolos

Apresentam-se abaixo os símbolos utilizados para o equipamento. Certifique-se de que entende o significado respetivo antes de utilizar o equipamento.



..... Ler o manual de instruções.



..... Perigo de projecção de resíduos e ruído elevado. Utilizar óculos de proteção e proteção contra ruído.



..... Lâmina em movimento. Afaste as mãos da lâmina enquanto a máquina está a ser utilizada. Desligue o equipamento antes de proceder à manutenção ou reparação respetiva.



..... Apenas para os países da UE
 Não deite fora o equipamento elétrico ou a bateria juntamente com o lixo doméstico!
 Em conformidade com as Diretivas Europeias sobre Resíduos de equipamentos eléctricos e electrónicos, Pilhas, baterias e acumuladores e Resíduos de pilhas, baterias e acumuladores e a sua implementação de acordo com as leis nacionais, o equipamento eléctrico, baterias e bateria(s) recarregável que tenham chegado ao fim da sua vida útil têm de ser recolhidos separadamente e enviados para uma entidade de reciclagem ambientalmente compatível.

Utilização a que se destina

A ferramenta destina-se a cortar varões para betão.

Ruído

O nível sonoro ponderado A típico determinado de acordo com a EN60745:

Nível de pressão sonora (LpA): 80,5 dB(A)

Nível de potência sonora (LWA): 90,1 dB(A)

Incerteza (K): 3 dB(A)

Usar proteções contra ruído

Vibração

O valor de vibração total (soma do vetor de três eixos) determinado de acordo com a EN60745:

Modo de funcionamento: corte de varões para betão

Emissão de vibrações (a_{h1}): 2,5 m/s² ou inferior

Incerteza (K): 1,5 m/s²

- O valor de emissão de vibrações declarado foi medido de acordo com o método de teste padrão e pode ser utilizado para comparar uma ferramenta com outra.
- O valor de emissão de vibrações declarado também pode ser utilizado numa avaliação preliminar da exposição.

⚠ AVISO:

- A emissão de vibrações durante a utilização real da ferramenta eléctrica pode diferir do valor de emissões declarado dependendo da maneira como a ferramenta é utilizada.
- Certifique-se de que identifica as medidas de segurança para proteção do operador que são baseadas na avaliação da exposição nas condições reais de utilização (tendo em consideração todas as partes do ciclo de funcionamento, como o número de vezes que a ferramenta é desligada e quando está a funcionar ao ralenti adicionalmente ao tempo de ativação).

Declaração de conformidade CE

Apenas para os países europeus

A Declaração de conformidade CE está incluída como o Anexo A deste manual de instruções.

Avisos de segurança gerais sobre ferramentas eléctricas

⚠ AVISO Ler todas as instruções e avisos de segurança. O não cumprimento dos avisos e instruções indicados a seguir pode provocar um choque eléctrico, incêndio e/ou ferimentos graves.

Guarde todos os avisos e instruções para consultas futuras.

O termo "ferramenta eléctrica" mencionado nos avisos refere-se à ferramenta eléctrica (com fios) que funciona ligada à corrente ou à ferramenta eléctrica (sem fios) que funciona com baterias.

Segurança da área de trabalho

1. **Mantenha a área de trabalho limpa e bem iluminada.** Áreas de trabalho atravancadas e escuras têm tendência a provocar acidentes.
2. **Não utilize as ferramentas eléctricas em ambientes explosivos, por exemplo, na presença de líquidos inflamáveis, gases ou pó.** As ferramentas eléctricas produzem faíscas que podem incendiar o pó ou vapores.

3. **Mantenha as crianças e as pessoas afastadas enquanto utiliza uma ferramenta eléctrica.** As distrações podem fazê-lo perder o controlo da ferramenta.

Segurança eléctrica

4. **As fichas da ferramenta eléctrica devem corresponder à tomada de corrente. Nunca modifique uma ficha. Não utilize fichas de adaptação com ferramentas eléctricas com terra (ligação à terra).** Fichas não modificadas e tomadas adequadas reduzem o risco de choque eléctrico.
5. **Evite o contacto do corpo com superfícies com terra ou com fio de terra, como canos, radiadores, fogões e frigoríficos.** Se o seu corpo estiver ligado a terra o risco de choque eléctrico é grande.
6. **Não exponha as ferramentas eléctricas à chuva ou água.** Se a água entrar na ferramenta eléctrica há o risco de provocar um choque eléctrico.
7. **Não maltrate o cabo. Nunca utilize o cabo para transportar, puxar ou desligar a ferramenta. Afaste o cabo do calor, óleo, arestas afiadas ou peças em movimento.** Cabos danificados ou emaranhados aumentam o risco de choque eléctrico.
8. **Se utilizar a ferramenta eléctrica no exterior, utilize uma extensão de cabo adequada para exterior.** A utilização de um cabo adequado para exterior reduz o risco de choque eléctrico.
9. **Se não for possível evitar a utilização da ferramenta eléctrica num local húmido, utilize uma fonte de alimentação protegida por corta-circuito em caso de falha na terra (GFCI).** A utilização de um GFCI reduz o risco de choque eléctrico.

Segurança pessoal

10. **Quando está a utilizar uma ferramenta eléctrica, esteja atento, observe o que está a fazer e utilize o senso comum. Não utilize uma ferramenta eléctrica se estiver cansado ou sob a influência de estupefacientes, álcool ou medicamentos.** Uma falta de atenção momentânea durante a utilização de ferramentas eléctricas podem provocar ferimentos graves.
11. **Utilize equipamento de protecção pessoal. Utilize sempre óculos de protecção.** Equipamento de protecção, como uma máscara contra o pó, sapatos de segurança antiderrapantes, um capacete ou protecção contra ruído, utilizado nas condições adequadas reduz o risco de ferimentos.
12. **Evite um arranque acidental. Verifique se o interruptor está na posição de desligado antes de ligar a ferramenta à fonte de alimentação e/ou bateria ou pegar ou transportar a ferramenta.** Se transportar a ferramenta com o dedo no interruptor ou ligar ferramentas eléctricas com o interruptor desligado aumenta o risco de acidentes.
13. **Retire a chave de ajuste ou chave de porcas de antes de ligar a ferramenta.** Se deixar uma chave de ferramentas ou chave presa a uma peça rotativa da ferramenta eléctrica pode provocar ferimentos.
14. **Não abuse. Mantenha sempre os pés bem apoiados e o equilíbrio.** Isto permite um melhor controlo da ferramenta eléctrica em situações inesperadas.

15. **Use vestuário adequado. Não use vestuário solto ou joias. Mantenha o cabelo, vestuário e luvas afastados das peças em movimento.** Vestuário solto, joias ou cabelo comprido podem ficar presos na peças em movimento.
16. **Se forem fornecidos dispositivos para a ligação de mecanismos de extração e recolha do pó, certifique-se de que estão bem ligados e são utilizados corretamente.** A utilização da recolha do pó pode reduzir os perigos provocados pelo pó.

Utilização e cuidados a ter com a ferramenta eléctrica

17. **Não force a ferramenta eléctrica. Utilize a ferramenta eléctrica adequada ao trabalho que deseja efectuar.** A utilização da ferramenta eléctrica correta permite-lhe executar o trabalho melhor e com mais segurança à velocidade para que foi concebida.
18. **Não utilize a ferramenta eléctrica se não conseguir ligá-la e desligá-la com o interruptor.** Qualquer ferramenta eléctrica que não possa ser controlada através do interruptor é perigosa e tem de ser reparada.
19. **Antes de fazer ajustes, mudar acessórios ou guardar ferramentas eléctricas, desligue a ficha da fonte de alimentação e/ou a bateria da ferramenta eléctrica.** Estas medidas de segurança preventivas reduzem o risco do arranque acidental da ferramenta.
20. **Guarde as ferramentas eléctricas que não estiver a utilizar fora do alcance das crianças e não permita que sejam utilizadas por pessoas não familiarizadas com as mesmas ou com estas instruções.** As ferramentas eléctricas são perigosas quando manuseadas por utilizadores sem experiência.
21. **Faça a manutenção das ferramentas eléctricas. Verifique se há peças móveis desalinhasadas ou dobradas, peças quebradas e qualquer outra condição que possa afetar o funcionamento da ferramenta eléctrica. Se a ferramenta eléctrica estiver danificada, mande-a reparar antes de voltar utilizá-la.** Muitos acidentes são provocados por falta de manutenção das ferramentas eléctricas.
22. **Mantenha as ferramentas de corte limpas e afiadas.** Ferramentas de corte com uma boa manutenção, com gumes de corte afiados, têm menos probabilidades de gripar e são mais fáceis de controlar.
23. **Utilize a ferramenta eléctrica, os acessórios e as pontas, etc., de acordo com estas instruções, tendo em conta as condições em que vai trabalhar e a tarefa a executar.** A utilização da ferramenta eléctrica para fins diferentes dos previstos pode dar origem a uma situação de perigo.

Utilização e cuidados a ter com a bateria

24. **Para recarregar a bateria, utilize apenas o carregador especificado pelo fabricante.** Um carregador adequado para um determinado tipo de bateria pode provocar um incêndio se for utilizado com outro tipo de bateria.
25. **Utilize as ferramentas eléctricas apenas com as baterias especificamente designadas.** A utilização de qualquer outra bateria pode dar origem a um acidente e incêndio.

26. **Quando não estiver a utilizar a bateria, mantenha-a afastada de outros objetos metálicos, como clips, moedas, chaves, pregos, parafusos ou outros pequenos objetos de metal que possam estabelecer uma ligação entre os terminais.** O curto-circuito dos terminais da bateria pode provocar queimaduras ou um incêndio.
27. **Em condições extremas, a bateria pode ejetar líquido; evite o contacto com o líquido. Se o contacto ocorrer acidentalmente, lave a zona afetada com água corrente. Se o líquido lhe entrar para os olhos, consulte também um médico.** O líquido ejetado pela bateria pode provocar irritação ou queimaduras.

Assistência

28. **Se a sua ferramenta eléctrica necessitar de ser reparada, recorra a um técnico qualificado que utilize apenas peças de substituição idênticas.** Isso garante-lhe que será mantida a segurança da sua ferramenta eléctrica.
29. **Siga as instruções para lubrificar e mudar acessórios.**
30. **Mantenha as peças secas, limpas e sem óleo e gordura.**

AVISOS DE SEGURANÇA DA CORTADURA DE VERGALHÃO A BATERIA

1. **Agarre na ferramenta com firmeza durante a utilização.** Se não a agarrar bem, pode ferir-se.
2. **Mantenha as mãos e a cara afastadas das peças móveis.** Podem provocar ferimentos.
3. **Solte imediatamente o interruptor do gatilho para parar a ferramenta, se ela estiver com problemas de funcionamento ou emitir um som anormal durante a utilização.** Mande-a inspecionar e reparar num centro de assistência autorizado. Se não o fizer, pode provocar danos ou acidentes.
4. **Se deixar cair ou bater com a ferramenta, verifique cuidadosamente se o corpo ficou danificado, com rachas ou deformado.** Esses danos podem provocar acidentes.
5. **Esta é uma ferramenta electro-hidráulica. O depósito do óleo vem cheio de fábrica. Não acrescente óleo, a não ser que a ferramenta esteja a funcionar de modo anormal.**
6. **As lâminas de corte metálicas têm gumes afiados.** Tenha cuidado ao manuseá-las, para evitar cortar-se.
7. **Lâminas danificadas, deformadas ou rachadas podem provocar acidentes graves, bem como afetar o funcionamento.** Substitua-as imediatamente por lâminas novas genuínas.

GUARDE ESTAS INSTRUÇÕES.

⚠️ AVISO:

NÃO deixe que o conforto ou a familiaridade com o produto (resultante de uma utilização frequente) se sobreponha ao rigoroso cumprimento das regras de segurança relativas ao produto em causa. A UTILIZAÇÃO ABUSIVA ou o não cumprimento das regras de segurança indicadas neste manual de instruções pode dar origem a um acidente pessoal grave.

INSTRUÇÕES DE SEGURANÇA IMPORTANTES

PARA A BATERIA

1. Antes de utilizar a bateria, leia todas as instruções e marcas de chamada de atenção existentes no (1) carregador da bateria, (2) na bateria e (3) no produto que está a utilizar a bateria.
2. Não desmonte a bateria.
3. Se o tempo de funcionamento tiver ficado demasiado curto, pare imediatamente a ferramenta. Essa situação pode resultar no sobreaquecimento da ferramenta, em possíveis queimaduras e até numa explosão.
4. Se o eletrólito lhe entrar para os olhos, lave-os com água limpa e consulte um médico imediatamente. Se não o fizer pode perder a visão.
5. Não provoque um curto-circuito na bateria:
 - (1) Não toque nos terminais com nenhum material condutor.
 - (2) Evite guardar a bateria juntamente com outros objectos metálicos, como pregos, moedas, etc.
 - (3) Não exponha a bateria a água ou chuva. Um curto-circuito da bateria pode provocar um grande fluxo de corrente, sobreaquecimento, possíveis queimaduras e até uma avaria.
6. Não guarde a ferramenta e a bateria em locais onde a temperatura possa atingir ou exceder 50°C.
7. Não queime a bateria, mesmo que esteja muito danificada ou completamente gasta. Se a queimar, a bateria pode explodir.
8. Tenha cuidado para não deixar cair nem bater com a bateria.
9. Não utilize uma bateria danificada.
10. Siga a legislação local para eliminação das baterias.

GUARDE ESTAS INSTRUÇÕES.

Sugestões para maximizar a vida útil da bateria

1. Carregue a bateria antes que esteja completamente descarregada. Quando notar que há uma diminuição da potência da ferramenta, interrompa o funcionamento e carregue a bateria.

2. Nunca recarregue uma bateria que esteja totalmente carregada. O sobrecarregamento encurta a vida útil da bateria.
3. Carregue a bateria a uma temperatura ambiente de 10°C - 40°C. Antes de carregar uma bateria que esteja quente, deixe-a arrefecer.
4. Se não utilizar a bateria durante períodos prolongados, carregue-a de seis em seis meses.

DESCRIÇÃO DO FUNCIONAMENTO

⚠️ ATENÇÃO:

- Antes de ajustar ou verificar o funcionamento da ferramenta, certifique-se sempre de que ela está desligada e com a bateria removida.

Instalar ou remover a bateria (Fig.1)

⚠️ ATENÇÃO:

- Desligue sempre a ferramenta antes de instalar ou remover a bateria.
- **Segure na ferramenta e na bateria com firmeza quando instalar ou remover a bateria.** Se não agarrar na ferramenta e na bateria com firmeza estas podem escorregar-lhe das mãos tendo como resultado danos na ferramenta, na bateria e ferimentos.

Para remover a bateria, empurre-a para fora da ferramenta ao mesmo tempo que faz deslizar o botão na parte da frente da bateria.

Para instalar a bateria, alinhe a patilha da bateria com a ranhura existente na caixa e empurre-a para a posição correta. Introduza-a até ficar bloqueada na posição correta com um ligeiro clique. Se conseguir ver o indicador vermelho no lado superior do botão, é porque a bateria não está completamente bloqueada.

⚠️ ATENÇÃO:

- Instale sempre a bateria inserindo-a até deixar de ver o indicador vermelho. Caso contrário, ela pode, acidentalmente, soltar-se da ferramenta, provocando-lhe ferimentos a si ou a alguém à sua volta.
- Não instale a bateria à força. Se a bateria não deslizar facilmente, é porque não está corretamente inserida.

Sistema de proteção da bateria (bateria de iões de lítio, com símbolo de estrela) (Fig. 2)

As baterias de iões de lítio com símbolo de estrela estão equipadas com um sistema de proteção. Este sistema corta automaticamente a energia que alimenta a ferramenta para prolongar a vida útil da bateria. Se a ferramenta e/ou a bateria forem sujeitas às seguintes condições, a ferramenta deixa automaticamente de funcionar:

- Sobrecarga:

A ferramenta está a ser utilizada de uma forma que a faz usar um fluxo de corrente anormalmente elevado. Neste caso, solte o gatilho do interruptor da ferramenta e interrompa a aplicação que provocou a sobrecarga da ferramenta. Em seguida, puxe novamente o gatilho do interruptor para voltar a arrancar.

Se a ferramenta não arrancar, é porque a bateria sobreaqueceu. Neste caso, deixe a bateria arrefecer antes de puxar novamente o gatilho do interruptor.

- Tensão de bateria baixa:
A capacidade restante da bateria está muito baixa e a ferramenta não funciona. Neste caso, retire a bateria e recarregue-a.

PROCEDIMENTO DE FUNCIONAMENTO

Leia, entenda e respeite todas as instruções de segurança e procedimentos de funcionamento. Se não entender as instruções ou as condições existentes não forem as adequadas a um funcionamento correto, não utilize a ferramenta. Consulte o supervisor ou outra pessoa responsável.

⚠️ AVISO:

- Antes de inserir a bateria na ferramenta, puxe e solte o gatilho do interruptor para se certificar de que volta à posição adequada quando o liberta.

O motor liga-se quando puxa o gatilho do interruptor e desliga-se quando o liberta.

Operação de bloqueio do interruptor (Fig. 3)

- Empurre o travão do interruptor do lado A. O interruptor fica destravado e pode utilizar o gatilho.
- Empurre o travão do interruptor do lado B. O interruptor fica travado e não pode utilizar o gatilho.

⚠️ ATENÇÃO:

- O gatilho do interruptor deve estar sempre bloqueado quando não estiver a ser utilizado.

⚠️ AVISO:

- Antes de utilizar a ferramenta, verifique se a posição do operador em relação à ferramenta e a área circundante cumprem as condições de segurança adequadas ao funcionamento. Use óculos de segurança e vestuário de proteção.
- Consulte as especificações da ferramenta neste manual e não corte varões com um tamanho ou dureza superiores à capacidade de corte da ferramenta.
- Corte apenas varões de ferro. Se quiser cortar outros materiais, consulte o fabricante.

⚠️ AVISO:

- Substitua imediatamente as lâminas danificadas (lascadas, partidas ou rachadas) ou deformadas. A lâmina não cortará e pode fraturar-se ou partir-se e provocar ferimentos graves no operador.

Processo de corte

⚠️ AVISO

- **Nunca utilize a ferramenta sem o protetor instalado.** Se não o fizer pode provocar um acidente grave. (Fig. 4)
- 1. Posicione o varão que deseja cortar entre as lâminas. (Fig. 5)
Ajuste o batente (DSC162) ou o parafuso de fixação (DSC191) em função do diâmetro do varão que vai cortar de maneira a formar uma ângulo de 90 graus com as lâminas. O batente (DSC162) ou o parafuso

de fixação (DSC191) suporta o varão mantendo-o perpendicular às lâminas durante o corte. (Fig. 6)

⚠️ AVISO

- Ao cortar varões para betão, ajuste o batente (DSC162) ou o parafuso de fixação (DSC191) em função do diâmetro do varão que vai cortar de maneira a formar um ângulo de 90 graus com as lâminas. Se não fizer este ajuste, a peça cortada pode ser projetada e provocar ferimentos graves no operador ou nas pessoas que se encontram à sua volta. Nunca se esqueça de verificar a posição do operador em relação à ferramenta e verifique a segurança do operador e da área circundante.
- 2. Posicione o varão que vai cortar de maneira a ficar totalmente entre as lâminas. (Fig. 7)

⚠️ AVISO

- Se o varão a cortar não ficar completamente encaixado entre as lâminas, estas ficam danificadas; o varão será projetado com violência e pode causar ferimentos graves.

⚠️ AVISO

- Não corte o varão se a peça que deseja cortar tiver um comprimento inferior a 200 mm. Se cortar uma peça com um comprimento inferior pode fazer com que o varão para betão seja projetado e provoque um acidente grave. (Fig. 8)

⚠️ AVISO

- Não corte o varão para betão se não estiver corretamente apoiado no batente (DSC162) ou no parafuso de fixação (DSC191). Ao cortar, mantenha o varão no lado do batente (DSC162) ou do parafuso de fixação (DSC191). (Fig. 9) Se não fizer, a peça cortada pode ser projetada e provocar ferimentos graves no operador ou nas pessoas que se encontram à sua volta.
- 3. Empurre o travão do interruptor do lado A. O interruptor fica destravado e pode utilizar o gatilho.
- 4. Prima o gatilho do interruptor para iniciar a operação de corte. A faca de corte move-se para a frente para cortar o varão para betão. Mantenha o interruptor premido até a faca de corte parar no fim do curso.
- 5. Solte o gatilho do interruptor quando terminar de cortar e a faca de corte tiver chegado ao fim do curso. A faca de corte volta automaticamente à posição de início. Se o curso não tiver sido completado a faca de corte não volta à posição inicial. A faca de corte também não poderá avançar novamente se não tiver voltado completamente à posição de início. Depois da faca de corte ter voltado completamente à sua posição inicial e ter parado, prima o interruptor para iniciar o corte seguinte.

⚠️ AVISO

- Ao cortar um varão para betão com uma força de tensão elevada, a peça cortada pode ser ejetada e provocar ferimentos graves no operador. Use óculos de proteção e verifique as condições de segurança da área circundante antes de iniciar a operação. (Fig. 10)

⚠️ AVISO

- Durante a operação, mantenha as mãos e a cara afastadas das lâminas, peças em movimento e área de corte.

Retire a bateria da ferramenta imediatamente depois de a utilizar.

NOTA:

- Mantenha o orifício de ventilação da extremidade do suporte da barra limpo. O orifício de ventilação controla a pressão interna e não deve ser obstruído. (Fig. 11)

Função do rotação do motor (Fig. 12)

O corpo do motor pode rodar até 360 graus, em qualquer direção, durante a operação. Esta função é particularmente útil quando trabalha em áreas incómodas ou estreitas pois permite ao operador colocar a ferramenta na posição mais adequada para facilitar a operação.

Funcionamento da válvula de retorno (Fig. 13)

A função da válvula de retorno é permitir que a faca de corte volte à posição de início se não for possível concluir um corte ou se ficar encravada. Esta válvula alivia a pressão do óleo e permite à faca de corte voltar à posição inicial. Depois da faca de corte voltar completamente à posição inicial, e antes de iniciar a operação seguinte, volte a apertar a válvula de retorno.

Tamanho da lâmina de substituição

● Utilize a tabela a seguir, para identificar as lâminas corretas para o seu modelo.

Modelo	A (Montada no suporte da barra)	B (Montada na faca de corte)
DSC162 (ø3 - ø16)	22 × 17 × 9 mm (Tamanho do parafuso 5 mm)	22 × 17 × 8 mm (Tamanho do parafuso 5 mm)
DSC191 (ø3 - ø20)	28 × 20 × 11,5 mm (Tamanho do parafuso 6 mm)	26 × 20 × 10 mm (Tamanho do parafuso 5 mm)

NOTA:

- Utilize apenas lâminas genuínas da Makita.

ADICIONAR ÓLEO

Esta máquina de corte de varões para betão, sem fios, é electro-hidráulica. Quando é enviada de fábrica, vem cheia de óleo. Não tente adicionar óleo, enquanto a ferramenta estiver a funcionar bem. Com o passar do tempo o nível do óleo desce gradualmente. Isto pode causar uma diminuição visível do desempenho. Se isso acontecer, adicione óleo da maneira indicada a seguir.

1. Coloque alguns varões entre as lâminas e puxe o interruptor do gatilho.
2. Solte o interruptor do gatilho alguns segundos antes do corte estar concluído, para parar a ferramenta.
3. Retire a bateria da ferramenta, para que as lâminas não se movam acidentalmente.

PROCEDIMENTO DE SUBSTITUIÇÃO DAS LÂMINAS

Se os gumes das lâminas estiverem lascados, rachados, deformados ou danificados a capacidade de corte respetiva diminui. Se efetuar o corte com as lâminas nestas condições pode danificar a ferramenta e ferir-se. Se estiverem danificados, as lâminas devem ser, imediatamente, substituídas em conjunto.

⚠ AVISO

- Ao substituir as lâminas, certifique-se de que retirou a bateria da ferramenta, para evitar o seu funcionamento acidental.

Verifique se a lâmina A, do suporte da barra e a lâmina B da faca de corte estão montadas nas suas posições corretas. (Fig. 14)

1. Desaperte os parafusos e as anilhas que prendem a lâmina A e a lâmina B.
2. Limpe e tire o pó das superfícies em que vai montar as novas lâminas.
3. Monte a lâmina A no suporte de barra e a lâmina B na faca de corte. Volte a colocar os parafusos e anilhas e aperte-os com firmeza.

⚠ AVISO

- Os parafusos que apertam a lâmina A e a lâmina B devem ser apertados regularmente. Se os parafusos estiverem soltos as lâminas podem ficar danificadas e provocar ferimentos graves.

Tipo de lâmina de substituição e desmontagem (Fig. 15)

Os parafusos de fixação devem estar apertados com firmeza.

Verifique periodicamente se a lâmina está bem apertada.

4. Retire o parafuso (SB10x15) que tapa o orifício de enchimento de óleo. Adicione o óleo, tendo cuidado para não deixar cair salpicos de óleo dentro do motor.
5. Volte a colocar o parafuso (SB10x15) e aperte com firmeza.
6. Volte a inserir a bateria na ferramenta e termine a operação de corte.
7. Repita o procedimento acima diversas vezes até o nível do óleo estar correto.

⚠ CUIDADO

- Utilize apenas óleo hidráulico puro, como recomendado pela Makita & Company Ltd nesta ferramenta. Os óleos recomendados incluem o óleo hidráulico fornecido pela Makita, Super Hyrando #46

(JX Nippon Oil & Energy Corp.); Shell Tellus Plus #46 (U.S. Shell); ou um óleo hidráulico anti-desgaste com especificações equivalentes, Grau de viscosidade ISO 46. Não utilize outros óleos pois podem danificar os vedantes e outras peças internas da máquina.

RESOLUÇÃO DE PROBLEMAS

⚠ AVISO:

- Retire a bateria antes de trabalhar na máquina.

PROBLEMA	CAUSA	SOLUÇÃO
A faca de corte não sai.	Óleo insuficiente	Encha de óleo. (Consulte a secção "Adicionar óleo")
	A faca de corte não recua completamente devido à acumulação de resíduos entre a faca e o suporte da barra.	Puxe a faca de corte trás, manualmente. Retire os resíduos e limpe a faca
	A faca de corte não recuou completamente pois está danificada.	Substitua a faca de corte.
	A faca de corte não recuou completamente porque as lâminas estão soltas ou danificadas.	Aperte os parafusos das lâminas. Substitua as lâminas
	A faca de corte não recuou totalmente porque a mola está fraca.	Substitua a mola.
Não há potência suficiente para cortar o varão para betão.	Óleo insuficiente.	Encha de óleo. (Consulte a secção "Adicionar óleo")
	A válvula de retorno não está corretamente colocada na sede respetiva ou a sede da válvula está danificada.	Limpe a ponta da válvula de retorno e da sede respetiva. Retire todos os riscos da sede.
	Válvula de retorno danificada.	Substitua-o.
	A folga entre o cilindro e o pistão não está correta.	Substitua o pistão (Nota: estão disponíveis vários tamanhos de pistão)
	A válvula de retenção não está bem instalada na sede ou a sede da válvula está danificada.	Limpe a válvula de retenção e a sede respetiva. Substitua-o.
	Junta de uretano, danificada ou partida.	Substitua-o.
Fuga de óleo.	Reservatório do nivelador do óleo danificado ou partido.	Substitua-o.
	Faca de corte/ suporte da barra, O-Ring danificado; Faca de corte/suporte da barra, superfície riscada ou estriada.	Substitua o anel de suporte e o O-ring. Substitua a faca de corte/suporte da barra
	Cilindro/suporte da barra, O-Ring danificado	Substitua o O-ring.
	Corpo da bomba/cilindro, junta de vedação danificada.	Substitua o revestimento B.
	Faca de corte/cilindro/corpo da bomba, parafusos do prato soltos.	Aperte os parafusos.
O motor não se move. Motor lento ou irregular.	Tensão incorreta.	Carregue a bateria.
	Bateria está a chegar ao fim da vida útil.	Substitua a bateria.
	Motor CC danificado devido a sobreaquecimento.	Substitua o motor CC.
	Chumaceiras ou carreto do motor CC danificadas ou partidas.	Substitua as chumaceiras ou o carreto.

NOTA:

- Os componentes internos da área da bomba e do pistão têm tolerâncias muito próximas e podem ficar danificadas com o pó, sujidade, contaminação do fluido hidráulico ou manuseamento incorreto. A desmontagem do corpo da bomba requer ferramentas e formação especiais e só deve ser efetuada por técnicos de reparação qualificados, que tenham a formação e as ferramentas adequadas. Uma reparação incorreta dos componentes elétricos pode dar origem a situações que provoquem acidentes graves. A bomba, componentes do pistão e todas as peças elétricas só devem ser reparadas numa loja, distribuidor ou agente de assistência autorizado.

MANUTENÇÃO

ATENÇÃO:

- Certifique-se sempre de que a ferramenta está desligada e de que retirou o cartucho da bateria, antes de tentar efetuar a inspeção ou manutenção.
- Nunca utilize gasolina, benzina, diluente, álcool ou outro produto semelhante. Estes produtos podem provocar descolorações, deformações ou rachas.

Substituir as escovas de carvão (Fig. 16)

Substitua as escovas quando estiverem gastas até a marca limite. Mantenha as escovas de carvão limpas e a deslizar livremente nos suportes. As duas escovas de carvão têm de ser substituídas ao mesmo tempo. Utilize apenas escovas de carvão idênticas.

Desaperte os dois parafusos com um chave de parafusos e retire a tampa traseira. **(Fig. 17)**

Levante a parte do braço da mola e coloque-a na parte concava do corpo com uma chave de fendas de veio fino ou objeto semelhante. **(Fig. 18)**

Utilize um alicate para retirar as tampas das escovas de carvão. Retire as escovas de carvão usadas, instale escovas novas e volte a colocar as tampas das escovas pela ordem inversa em que as retirou. **(Fig. 19)**

Verifique se as tampas das escovas de carvão encaixam bem nos orifícios dos suportes. **(Fig. 20)**

Volte a instalar a tampa traseira e aperte bem os dois parafusos. Para manter a SEGURANÇA e FIABILIDADE do produto, as reparações e outras operações de manutenção e ajuste devem ser efetuadas pelos Centros de assistência autorizados da Makita, utilizando sempre peças de substituição Makita.

ACESSÓRIOS OPCIONAIS

ATENÇÃO:

- Estes acessórios ou dispositivos auxiliares são recomendados para utilização com a ferramenta Makita indicada neste manual. A utilização de outros acessórios ou dispositivos auxiliares apresentam o risco de provocar acidentes pessoais. Utilize apenas acessórios ou dispositivos auxiliares para o fim indicado.

Se necessitar de mais detalhes sobre os acessórios, consulte o Centro de assistência Makita local.

- Carregador e bateria genuínos da Makita

NOTA:

- Alguns itens da lista pode vir incluídos na embalagem da ferramenta, como acessórios standard. Podem diferir de país para país.

Illustrationsoversigt

- | | | |
|--------------------|----------------------------|-------------------------------|
| 1. Rød indikator | 13. Stopper | 25. Klinge A på stangholder |
| 2. Knap | 14. Mere end 200 mm | 26. Klinge B på klippestempel |
| 3. Batteripakke | 15. Lufthul | 27. Ekstraklinger |
| 4. Stjernemærke | 16. Unbrakonøgle | 28. Slidgrænse |
| 5. Låseknop | 17. Returventil | 29. Bagdæksel |
| 6. Afbryderkontakt | 18. Klinge A (tyk klinger) | 30. Skruer |
| 7. Side A | 19. Klinge B (tyk klinger) | 31. Arm |
| 8. Side B | 20. Bolt (lang) | 32. Fjeder |
| 9. Beskytter | 21. Bolt (kort) | 33. Forsænket del |
| 10. Holdebolt | 22. Skive | 34. Kulbørstedæksel |
| 11. Armeringsstang | 23. Stangholder | 35. Hul |
| 12. Klinger | 24. Klippestempel | |


SPECIFIKATIONER


Model	DSC162	DSC191
Maks. klippekapaцитet (mm diam.)	16 mm	20 mm
Grade 40 - Grade 60		
Grade 40: Trækstyrke 490 N/mm ² 70.000 PSI		
Grade 60: Trækstyrke 620 N/mm ² 90.000 PSI		
Klippehastighed	4,0 sekunder	6,5 sekunder
Samlet længde	380 mm	412 mm
Nettovægt	6,5 kg	10,5 kg
Mærkespænding	18V jævnstrøm	


- På grund af vores kontinuerlige forsknings- og udviklingsindsats kan disse specifikationer blive ændret uden varsel.
- Specifikationer og batteripakke kan variere fra land til land.
- Vægt inklusive batteri i henhold til EPTA-Procedure 01/ 2003


Symboler

Nedenfor vises de symboler, der anvendes på udstyret. Sørg for, at du forstår disses betydning før brugen.

 Læs brugsanvisningen.

 Fare for flyvende spåner og kraftig støj. Bær høreværn og beskyttelsesbriller.

 Bevægelige klinger. Hold hænderne væk fra maskinen, mens den kører. Sluk for strømmen, før der udføres servicearbejder.

 Cd Ni-MH Li-Ion Kun for EU-lande
Elektrisk udstyr og batteripakker må ikke bortskaffes sammen med almindeligt husholdningsaffald!
I henhold til EU-direktiverne om affald af elektrisk og elektronisk udstyr og batterier og akkumulatører og udtjente batterier og akkumulatører og disses gennemførelse i den nationale lovgivning skal elektrisk udstyr og batterier og batteripakker, der har nået enden på deres levetid, indsamles separat og afleveres på en miljøgodkendt genbrugsstation.

Tilsigtet brug

Værktøjet er beregnet til at klippe armeringsstænger.

Støj

Det typiske A-vægtede støjniveau bestemt i overensstemmelse med EN60745:

Lydtryksniveau (LpA): 80,5 dB(A)

Lydkraftniveau (LWA): 90,1 dB(A)

Usikkerhed (K): 3 dB(A)

Bær høreværn

Vibration

Den samlede værdi for vibration (treaksial vektorsum) bestemt i overensstemmelse med EN60745:

Arbejdstilstand: Klipping af armeringsstang

Vibrationsemission (a_{h1}): 2,5 m/s² eller lavere

Usikkerhed (K): 1,5 m/s²

- Den opgivne vibrationsemissionsværdi er målt i overensstemmelse med standardtestmetoden og kan bruges til at sammenligne et værktøj med et andet.
- Den opgivne vibrationsemissionsværdi kan muligvis også bruges til en indledende eksponeringsvurdering.

⚠ ADVARSEL:

- Vibrationsmissionen under den faktiske brug af maskinen kan afvige fra den opgivne emissionsværdi afhængigt af den måde, maskinen anvendes på.
- Sørg for at bestemme sikkerhedsforanstaltninger for beskyttelse af operatøren, som er baseret på en eksponeringsvurdering for brug under faktiske forhold (hvor alle anvendelsescyklussens dele inddrages, som f.eks. antal gange maskinen slukkes, og når den kører i tomgang ud over triggertiden).

EF-overensstemmelseserklæring

Kun for lande i Europa

EF-overensstemmelseserklæringen er medtaget som bilag A til denne brugsanvisning.

Generelle sikkerhedsregler for el-værktøj

⚠ ADVARSEL Læs alle sikkerhedsadvarsler og alle instruktioner. Manglende overholdelse af disse advarsler og instruktioner kan resultere i elektrisk stød, brand og/eller alvorlig personskade.

Gem alle advarsler og instruktioner til fremtidig reference.

Udtrykket "elektrisk værktøj" i advarslerne henviser til værktøj der tilsluttes lysnettet (med ledning) eller batteridrevet (ledningsfrit) værktøj.

Sikkerhed i arbejdsområdet

1. **Hold arbejdsområdet rent og oplyst.** Rodede eller mørke arbejdsområder kan nemt føre til uheld.
2. **Betjen ikke elektrisk værktøj i eksplosive atmosfærer, for eksempel ved tilstedeværelse af brændbare væsker, gasser eller støv.** Elektrisk værktøj fremkalder gnister, der kan antænde støv eller dampe.
3. **Hold børn og tilskuere på afstand under arbejdet med et elektrisk værktøj.** Distractioner kan føre til, at du taber kontrollen.

Elektrisk sikkerhed

4. **Stikkene på det elektriske værktøj skal svare til stikkontakten. Undlad at ændre stikket på nogen måde. Brug ikke stikadapters sammen med elektrisk værktøj, der kræver jordforbindelse.** Uændrede stik og tilsvarende stikkontakter mindsker risikoen for elektrisk stød.
5. **Undgå kropskontakt med jordforbundne overflader som f.eks. rør, radiatorer, komfurer og køleskabe.** Hvis kroppen er jordforbundet, forøges risikoen for elektrisk stød.
6. **Udsæt ikke elektrisk værktøj for regn eller våde omgivelser.** Risikoen for elektrisk stød forøges, hvis der kommer vand i det elektriske værktøj.

7. **Undgå at mishandle ledningen. Brug aldrig ledningen til at bære eller trække det elektriske værktøj eller til at tage stikket ud af stikkontakten. Udsæt ikke ledningen for varme, olie, skarpe kanter eller bevægelige dele.** Beskadigede eller sammenviklede ledninger øger risikoen for elektrisk stød.
8. **Brug en forlængerledning, der er beregnet til udendørs brug, når det elektriske værktøj anvendes udendørs.** Brug af en ledning, der er beregnet til udendørs brug, reducerer risikoen for elektrisk stød.
9. **Hvis det ikke kan undgås, at anvende det elektriske værktøj i fugtig omgivelser, skal der benyttes en strømforsyning, der er beskyttet via en fejlstrømsafbryder (FI-afbryder).** Brug af en FI-afbryder mindsker risikoen for elektrisk stød.

Personlig sikkerhed

10. **Vær opmærksom, fokusér på det, du arbejder med, og brug din sunde fornuft ved betjening af ethvert elektriske værktøj. Anvend ikke elektrisk værktøj, når du er træt eller påvirket af stoffer, alkohol eller medicin.** Under brug af elektrisk værktøj kan et enkelt øjeblik uopmærksomhed medføre alvorlig personskade.
11. **Anvend personligt beskyttelsesudstyr. Bær altid beskyttelsesbriller.** Beskyttelsesudstyr som f.eks. støvmaske, skridsikre sko, hjelm eller høreværn, der benyttes i henhold til deres formål, forebygger personskade.
12. **Undgå utilsigtet start af det elektriske værktøj. Sørg for, at afbryderen er slået fra, før det elektriske værktøj sluttes til strømforsyningen og/eller batteriet, og før det tages op eller transporteres.** Hvis man holder fingeren på afbryderen, mens et elektrisk værktøj transporteres, eller hvis man sætter stikket i stikkontakten, mens afbryderen er slået til, kan det medføre uheld.
13. **Fjern alle justeringsnøgler eller skruenøgler, før der tændes for det elektriske værktøj.** En skruenøgle eller nøgle, der efterlades på en roterende del af det elektriske værktøj, kan forårsage personskade.
14. **Stræk dig ikke for langt. Bevar fodfæstet og balancen til enhver tid.** Det giver bedre kontrol med det elektriske værktøj i uventede situationer.
15. **Bær korrekt påklædning. Bær ikke løs påklædning eller smykker. Hold hår, tøj og handsker væk fra bevægelige dele.** Løst tøj, smykker eller langt hår kan blive fanget af bevægelige dele.
16. **Hvis der medfølger udstyr til udsugning og opsamling af støv, skal dette tilsluttes og anvendes korrekt.** Brug af støvopsamling kan mindske støvrelaterede risici.

Brug og vedligeholdelse af elektrisk værktøj

17. **Tving ikke det elektriske værktøj. Brug det rette elektriske værktøj til formålet.** Det rette elektriske værktøj udfører arbejdet hurtigere og bedre, når det anvendes i overensstemmelse med dets hensigt.
18. **Brug ikke det elektriske værktøj, hvis det ikke kan tændes og slukkes på afbryderen.** Et elektrisk værktøj, der ikke kan kontrolleres med afbryderen, er farligt og skal repareres.

19. **Tag stikket ud af stikkontakten, og/eller tag batteriet ud, før du justerer, skifter tilbehør på eller gemmer det elektriske værktøj af vejen.** Disse forebyggende foranstaltninger nedsætter risikoen for utilsigtet at komme til at starte det elektriske værktøj.
20. **Opbevar elektrisk værktøj, der ikke benyttes, utilgængeligt for børn, og lad ikke personer, som ikke er bekendte med det elektriske værktøj eller denne vejledning, bruge det.** Elektrisk værktøj er farligt i hænderne på uøvede brugere.
21. **Vedligehold det elektriske værktøj. Kontrollér det elektriske værktøj for fejljustering, bevægelige dele, som binder, brud og andre forhold, som kan påvirke dets funktion. Få det elektriske værktøj repareret, før det bruges, hvis det er defekt.** Mange uheld skyldes dårlig vedligeholdelse af det elektriske værktøj.
22. **Hold klippeværktøjer skarpe og rene.** Korrekt vedligeholdte klippeværktøjer har mindre tendens til at binde og er lettere at styre.
23. **Brug det elektriske værktøj, tilbehøret og bits osv. i overensstemmelse med denne vejledning, og tag højde for arbejdsbetingelserne og det arbejde, der skal udføres.** Brug af det elektriske værktøj til formål, det ikke er beregnet til, kan medføre farlige situationer.

Brug og vedligeholdelse af batteridrevet elektrisk værktøj

24. **Genopladning må kun ske med den af producenten anbefalede oplader.** En oplader, der er egnet til én type batteripakke, kan udgøre en brandrisiko, hvis den anvendes med en anden batteripakke.
25. **Det elektriske værktøj må kun anvendes med de specifikt angivne batteripakker.** Brug af andre batteripakker kan udgøre en risiko for tilskadekomst og brand.
26. **Når batteripakken ikke er i brug, skal den holdes væk fra metalgenstande som f.eks. papirclips, mønter, nøgler, søm, skruer eller andre små metalobjekter, som kan give forbindelse fra den ene pol til den anden.** Kortslutning af batteripolerne kan give anledning til forbrænding eller brand.
27. **Hårdhændet behandling af batteripakken kan medføre, at der kommer væske ud af batteriet - undgå kontakt.** Ved utilsigtet kontakt skylles med vand. **Søg lægehjælp, hvis væsken kommer i kontakt med øjnene.** Væske, der kommer ud af batteriet, kan give anledning til irritation eller forbrændinger.

Service

28. **Sørg for, at det elektriske værktøj serviceres af kvalificeret reparationspersonale, der kun anvender originale reservedele.** Dette sikrer, at produktets sikkerhed opretholdes.
29. **Følg instruktionerne for smøring og udskiftning af tilbehør.**
30. **Hold håndtagene tørre, rene og fri for olie og fedtstoffer.**

SIKKERHEDSADVARSLER FOR BATTERIDRETVET STÅLSTANGSKLIPPER

1. **Hold godt fast på værktøjet under brug.** Hvis værktøjet ikke holdes fast, kan det føre til tilskadekomst.
2. **Hold hænder og ansigt væk fra bevægelige dele.** Sådanne dele kan give anledning til tilskadekomst.
3. **Slip afbryderkontakten med det samme for at standse værktøjet, hvis det går i stykker eller laver unormal støj under brugen.** Send værktøjet til eftersyn og reparation hos et autoriseret servicecenter. Manglende overholdelse af dette kan føre til tingsskade eller tilskadekomst.
4. **Hvis værktøjet tabes eller rammes af slag, skal huset kontrolleres nøje for at sikre, at det ikke har taget skade, er revnet eller deformeret.** Enhver sådan beskadigelse kan medføre tilskadekomst.
5. **Dette værktøj er et elektrohydraulisk værktøj.** Oliereservoiret er fyldt ved leveringen. Efterfyld ikke med olie, medmindre værktøjet ikke fungerer normalt.
6. **Metalklingerne har skarpe kanter.** De skal håndteres med forsigtighed for at undgå tilskadekomst.
7. **Beskadigede, deformerede eller revnede klinger kan give anledning til alvorlige ulykker og forhindre korrekt drift.** De skal øjeblikkeligt udskiftes med nye, originale klinger.

GEM DENNE VEJLEDNING.

⚠ ADVARSEL:

LAD IKKE tryghed eller kendskab til produktet (fra gentagen brug) føre til, at du ikke strengt overholder sikkerhedsreglerne for produktet. MISBRUG eller manglende overholdelse af de i denne vejledning anførte sikkerhedsregler kan medføre alvorlig personlig tilskadekomst.

VIGTIGE

SIKKERHEDSFORSKRIFTER

FOR BATTERIPAKKEN

1. **Læs samtlige instruktioner og advarsler, der findes på (1) batteriopladeren, (2) batteriet og (3) det batteridrevne produkt.**
2. **Batteripakken må ikke skilles ad.**
3. **Hold straks op med at anvende batteripakken, hvis brugstiden er blevet stærkt afkortet.** Dette kan resultere i risiko for overophedning, forbrændinger og endog eksplosion.
4. **Hvis du får elektrolytvæske i øjnene, skal du skylle med rent vand og straks søge lægehjælp.** Du risikerer at tabe synet.
5. **Batteripakken må ikke kortsluttes:**
 - (1) **Undlad at berøre polerne med ledende materiale.**
 - (2) **Undlad at opbevare batteripakken sammen med andre metalobjekter som f.eks. søm, mønter osv.**

- (3) Batteripakken må ikke udsættes for vand eller regn.

Kortslutning af batteriet kan forårsage en kraftig øgning af strømmen, overophedning, mulighed for forbrændinger og endog nedbrud.

6. Opbevar ikke værktøjet og batteripakken på steder, hvor temperaturen kan komme op på eller overstige 50 °C .
7. Lad være med at brænde batteripakken, selv ikke i tilfælde, hvor det er lidt alvorligt beskadiget eller fuldstændig udtjent. Batteripakken kan eksplodere, hvis man forsøger at brænde den.
8. Vær forsigtig med ikke at tabe eller udsætte batteriet for slag.
9. Anvend ikke et beskadiget batteri.
10. Batteriet skal bortskaffes i henhold til de lokale retningslinjer.

GEM DENNE VEJLEDNING.

Tips til opretholdelse af maksimal batterilevetid

1. Genoplad batteripakken, inden den er helt afladet. Stop altid værktøjet, og oplad batteripakken, når du bemærker, at maskineffekten falder.
2. Genoplad aldrig en fuldt opladet batteripakke. Overopladning afkorter batteriets levetid.
3. Oplad batteripakken ved stuetemperatur på 10 °C - 40 °. Lad altid en varm batteripakke få tid til at køle af, inden den oplades.
4. Oplad batteripakken en gang hver sjette måned, hvis den ikke anvendes i et længere tidsrum.

FUNKTIONSBESKRIVELSE

⚠ FORSIGTIG:

- Sørg altid for at værktøjet er slukket, og at batteripakken er taget ud, før der udføres justering eller kontrol af værktøjets funktioner.

Montering og afmontering af batteripakken (fig. 1)

⚠ FORSIGTIG:

- Sluk altid for værktøjet, før montering eller afmontering af batteripakken.
- Hold godt fast om værktøjet og batteripakken under montering eller afmontering af batteripakken. Hvis man ikke holder godt fast om værktøjet og batteripakken, kan de glide ud af hænderne, hvilket kan føre til beskadigelse af værktøjet og batteripakken og personlig tilskadekomst.

Batteripakken afmonteres ved at skyde den ud af værktøjet, mens knappen foran på pakken skydes til siden.

Batteripakken monteres ved at rette dens tunge ind efter rillen i huset og lade den glide på plads. Skub den yd helt ind, til den låser på plads med et lille klik. Hvis den røde indikator kan ses på den øverste side af knappen, er den ikke helt låst.

⚠ FORSIGTIG:

- Pakken skal altid monteres således, at den røde indikator ikke kan ses. I modsat fald kan batteripakken ved et uheld falde ud af værktøjet, og forvolde skade på dig selv eller andre.
- Batteripakken må ikke tvinges på plads. Hvis pakken ikke glider på plads uden besvær, er det fordi, den ikke sidder rigtigt.

Batteribeskyttelsessystem (lithium-ion-batteri med stjernemærke) (fig 2)

Lithium-ion-batterier med stjernemærke er udstyret med et beskyttelsessystem. Dette system afbryder automatisk strømmen til værktøjet for at forlænge batteriets levetid. Værktøjet stopper automatisk under driften, hvis det og/eller batteriet bliver udsat for en af følgende situationer:

- Overbelastning:
Værktøjet anvendes på en sådan måde, at det trækker en unormalt høj strøm.
Hvis dette skulle ske, skal du slippe afbryderkontakten på værktøjet og stoppe den anvendelse, der bevirkede, at det blev overbelastet. Derefter kan du starte igen ved at trykke på afbryderkontakten.
Hvis værktøjet ikke starter, er batteriet overophedet. Lad i dette tilfælde batteriet køle af, inden du starter værktøjet igen.
- Lav batterispænding:
Den tilbageværende batterikapacitet er for lav, og værktøjet vil ikke fungere. Fjern i denne situation batteriet fra værktøjet, og oplad det.

BETJENING

Læs, forstå og følg alle sikkerhedsinstruktioner og vejledninger vedr. betjeningen. Hvis du ikke forstår instruktionerne, eller hvis de rette betingelser for korrekt benyttelse af værktøjet ikke er til stede, må du ikke anvende det. Spørg din overordnede eller en anden ansvarlig person til råds.

⚠ ADVARSEL:

- Før batteriet monteres i værktøjet, skal du trykke og slippe afbryderkontakten for at sikre, at den går tilbage til udgangsstillingen, når du slipper den.

Motoren er slået til, når afbryderkontakten er trykket ind og fra, når afbryderkontakten slippes.

Betjening af låseknappen (fig. 3)

- Tryk på låseknappen på side A. Låseknappen frigøres, og afbryderen kan betjenes.
- Tryk på låseknappen på side B. Låseknappen låses, og afbryderen kan ikke betjenes.

⚠ FORSIGTIG:

- Afbryderkontakten skal altid være låst, når værktøjet ikke er i brug.

⚠ ADVARSEL:

- Før brugen skal det kontrolleres, at brugerens position i forhold til værktøjet og omgivelserne muliggør en sikker anvendelse. Bær beskyttelsesbriller og arbejdstøj.

- Der henvises til værktøjsspecifikationerne i denne vejledning for at sikre, at der ikke arbejdes med armeringsstænger, hvis størrelse eller hårdhed ikke egner sig til dette værktøj.
- Må ikke anvendes til overklipping af andre materialer end armeringsstænger. Producenten skal konsulteres med henblik på brug til andre materialer.

⚠ ADVARSEL:

- Beskadigede (hakkede, brækkede eller revnede) eller deformerede klinger skal udskiftes med det samme. En sådan klinge kan ikke skære korrekt og kan knække eller springe med fare for alvorlig personlig tilskadekomst.

Klippeprocedure

⚠ ADVARSEL

- **Anvend aldrig værktøjet, uden at beskyttelsen er på plads.** Manglende overholdelse af dette kan føre til alvorlig personlig tilskadekomst. (fig. 4)

1. Placer armeringsstangen, der skal klippes, mellem klingerne. (fig. 5)
Justér stopperen (DSC162) eller holdebolten (DSC191) i henhold til armeringsstangens diameter, således at armeringsstangen befinder sig i en vinkel på 90 grader i forhold til klingerne. Stopperen (DSC162) eller holdebolten (DSC191) støtter armeringsstangen og holder den vinkelret i forhold til klingerne under klipningen. (fig. 6)

⚠ ADVARSEL

- Ved klipning af armeringsstænger justeres stopperen (DSC162) eller holdebolten (DSC191) i henhold til armeringsstangens diameter, således at armeringsstangen befinder sig i en vinkel på 90 grader i forhold til klingerne. Hvis dette ikke sikres, kan den afklippede del springe og forårsage alvorlig tilskadekomst på brugeren eller omkringstående.
2. Undlad aldrig at kontrollere brugerens position i forhold til værktøjet og bekræfte, at denne er sikker for operatøren selv og omgivelserne.
 2. Placer armeringsstangen, der skal klippes, på en sådan måde at den befinder sig helt imellem klingerne. (fig. 7)

⚠ ADVARSEL

- Hvis armeringsstangen ikke placeres helt imellem klingerne, vil klingerne tage skade, og armeringsstangen vil blive skubbet ud med stor kraft, hvilket kan medføre alvorlig personlig tilskadekomst.

⚠ ADVARSEL

- Undlad at klippe armeringsstangen, hvis det stykke, der skal klippes af, er mindre end 200 mm langt. Afklipping af kortere længder kan få armeringsstangen til at springe af, hvilket kan medføre alvorlig personlig tilskadekomst. (fig. 8)

⚠ ADVARSEL

- Undlad at klippe armeringsstangen, hvis den ikke er korrekt støttet af stopperen (DSC162) eller holdebolten (DSC191). Under klipningen skal man holde om armeringsstangen på den side, hvor stopperen (DSC162) eller holdebolten (DSC191) er. (fig. 9) Hvis dette ikke sikres, kan den afklippede del flyve ud og forårsage alvorlig tilskadekomst på brugeren eller omkringstående.

3. Tryk på låseknappen på side A. Låseknappen frigøres, og afbryderen kan betjenes.
4. Tryk på afbryderkontakten for at starte afklippingen. Klippestemplet bevæger sig fremad for at klippe armeringsstangen. Hold afbryderen inde, indtil klippestemplet stopper ved enden af sin vandring.
5. Slip afbryderkontakten, når afklippingen er udført, og klippestemplet har nået enden af sin vandring. Klippestemplet returnerer nu automatisk til udgangspositionen. Klippestemplet vender ikke tilbage til udgangspositionen, hvis det ikke når enden på vandringen. Tilsvarende gælder det, at klippestemplet ikke kan bevæge sig frem igen, hvis det ikke først er vendt helt tilbage til udgangspositionen. Tryk først på startkontakten for at begynde det næste klip, når klippestemplet er vendt helt tilbage til udgangspositionen og stoppe der.

⚠ ADVARSEL

- Ved klipning af armeringsstænger med høj trækstyrke kan den afklippede del springe af og forårsage alvorlig tilskadekomst på brugeren. Bær beskyttelsesbriller og bekræft, at omgivelserne er sikre, før arbejdet igangsættes. (fig. 10)

⚠ ADVARSEL

- Hold hænder og ansigt væk fra klingerne, de bevægelige dele og området, hvor der klippes, under brugen.
Tag batteriet ud af værktøjet umiddelbart efter brugen.

BEMÆRK:

- Hold lufthullet i enden af stangholderen frit for snavs og spåner. Lufthullet kontrollerer det indvendige tryk og må ikke tilstoppes. (fig. 11)

Rotation af motordelen (fig. 12)

Motorhuset kan roteres 360 grader i begge retninger under brugen. Dette er især nyttigt ved arbejde med utilgængelige eller snævre steder, da det gør det muligt for brugeren at placere værktøjet optimalt med henblik på nem betjening.

Betjening af returventilen (fig. 13)

Formålet med returventilen er at gøre det muligt at få klippestemplet til at vende tilbage til udgangspositionen, hvis en overklipping ikke kan gennemføres eller klingerne sætter sig fast. Den gør, at olietrykket udløses, hvorved klippestemplet kan gå tilbage. Husk at stramme returventilen igen, så snart klippestemplet er helt tilbage, og før arbejdet genoptages.

UDSKIFTNING AF KLINGER

Hvis klingernes skær får hakker, revner eller bliver deformet eller på anden måde beskadiget, reduceres deres skæreevne. Det kan give anledning til yderligere beskadigelse og personlig tilskadekomst, hvis man bliver ved med at arbejde under sådanne vilkår. Klingerne skal øjeblikkeligt udskiftes som et sæt, hvis der konstateres beskadigelser.

⚠ ADVARSEL

- Når klingerne udskiftes, skal det sikres, at batteriet tages ud af værktøjet for at forhindre utilsigtet aktivering.

Sørg for, at klinger A på stangholderen og klinger B på klippestemplet placeres korrekt i deres respektive positioner. (fig. 14)

1. Løsn boltene og skiverne, der holder klinger A og klinger B.
2. Fjern snavs, og rengør overfladen, hvor de nye klinger skal monteres.

3. Gør klinger A fast på stangholderen og klinger B på klippestemplet. Sæt boltene og skiverne på igen, og stram dem godt.

⚠ ADVARSEL

- Boltene, der holder klinger A og klinger B skal strammes med mellemrum. Hvis boltene går løs, kan klingerne tage skade, hvilket kan medføre personlig tilskadekomst.

Typer af reservelinger og montering (fig. 15)

Fastgørelsesboltene skal strammes godt.

Kontrollér med mellemrum, at klinger er korrekt strammet.

Reservelinger, størrelse

● Brug dette skema til at finde de rette klinger i henhold til modellen.

Model	A (monteret på stangholderen)	B (monteret på klippestemplet)
DSC162 (ø3 - ø16)	22 × 17 × 9 mm (Boltstørrelse 5 mm)	22 × 17 × 8 mm (Boltstørrelse 5 mm)
DSC191 (ø3 - ø20)	28 × 20 × 11,5 mm (Boltstørrelse 6 mm)	26 × 20 × 10 mm (Boltstørrelse 5 mm)

BEMÆRK:

- Brug kun originale klinger fra Makita.

PÅFYLDNING AF OLIE

Denne batteridrevne armeringsstangklipper er elektrohydraulisk. Den leveres fra fabrikken med olie påfyldt. Forsøg ikke at påfylde olie, så længe værktøjet fungerer, som det skal. Med tiden vil olieniveauet gradvist falde. Dette vil til sidst give sig udslag i en mærkbar nedgang i ydelsen. Når dette sker, skal der påfyldes olie som følger.

1. Placer et stykke armeringsstang mellem klingerne og tryk på afbryderkontakten.
2. Slip afbryderkontakten lige før klippet er gennemført for at stoppe værktøjet.
3. Tag batteriet ud af værktøjet, således at klingerne ikke utilsigtet kan bevæge sig.
4. Fjern boltene (SB10x15), som fungerer som hætte over oliepåfyldningshullet. Tilsæt olie idet der udvises forsigtighed med ikke at spilde olie i motoren.
5. Sæt boltene (SB10x15) på igen, og stram dem godt.
6. Sæt batteriet tilbage i værktøjet, og afslut klippet.
7. Gentag denne fremgangsmåde flere gange, indtil olieniveauet er korrekt.

⚠ FORSIGTIG

- Der må kun anvendes ren hydraulikolie som anbefalet af Makita & Company Ltd. i dette værktøj. Anbefalede olier omfatter hydraulikolie leveret af Makita, Super Hyrando #46 (JX Nippon Oil & Energy Corp.), Shell Tellus Plus #46 (U.S. Shell), eller tilsvarende slitagebeskyttende hydraulikolier, ISO-viskositet 46. Der må ikke anvendes andre olietyper, da dette kan føre til beskadigelse af pakningerne og andre af maskinens indvendige dele.

FEJLFINDING

⚠ ADVARSEL:

- Tag batteriet ud, før ethvert arbejde på maskinen.

PROBLEM	ÅRSAG	LØSNING
Klippestemplet fuldfører ikke sin vanding.	Utilstrækkelig oliemængde.	Efterfyld med olie. (Se "Påfyldning af olie").
	Klippestemplet er ikke vendt helt tilbage til udgangspositionen på grund af ophobning af spåner mellem klippestemplet og stangholderen.	Skub klippestemplet tilbage manuelt. Fjern spåner og rengør
	Klippestemplet er ikke vendt helt tilbage til udgangspositionen på grund af beskadigelse.	Udskift klippestemplet.
	Klippestemplet er ikke vendt helt tilbage til udgangspositionen på grund af løse eller beskadigede klinger.	Stram klingeboltene. Udskift klingerne
	Klippestemplet er ikke vendt helt tilbage til udgangspositionen på grund af en svag returfeder.	Udskift returfjederen.
Utilstrækkelig kraft til at klippe armeringsstang.	Utilstrækkelig oliemængde.	Efterfyld med olie. (Se "Påfyldning af olie")
	Returventil ikke korrekt monteret i sit leje eller lejet beskadiget.	Rengør spidsen af returventilen og lejet. Fjern ridser i lejet.
	Returventil beskadiget.	Udskift.
	Forkert frigang mellem cylinder og stempel.	Udskift stemplet (Bemærk: der findes flere størrelser stempler).
	Kontrolventil ikke korrekt monteret i sit leje eller lejet beskadiget.	Rengør kontrolventilen og dennes leje. Udskift.
Urethanpakning beskadiget eller defekt.	Udskift.	
Olielæk.	Olieniveaublære beskadiget eller defekt.	Udskift.
	Klippestempel/stangholder, O-ring beskadiget, stempel/stangholder, overflade ridset eller rillet.	Udskift back up-ring og O-ring. Udskift klippestempel/stangholder
	Cylinder/stangholder, O-ring beskadiget.	Udskift O-ring.
	Cylinder/pumpehus, pakning beskadiget.	Udskift liner B.
	Stangklipper/cylinder/pumpehus, flangebolte løse.	Stram bolte.
Motoren kører ikke. Motoren kører langsomt eller uregelmæssigt.	Spændingen er forkert.	Genoplad batteriet.
	Batteriet har nået enden på sin levetid.	Udskift batteriet.
	DC-motoren beskadiget på grund af overophedning.	Udskift DC-motoren.
	DC-motorens lejer eller gear beskadiget eller defekt.	Udskift lejer eller gear.

BEMÆRK:

- Pumpens og stemplets indvendige komponenter har meget snævre tolerancer og er følsomme over for skader på grund af støv, snavs, forurening af hydraulikvæsken eller forkert håndtering. Det kræver specialværktøj og særlig uddannelse at adskille pumpehuset. Derfor må dette kun udføres af kvalificeret reparationspersonale, der er korrekt uddannet og råder over det rette værktøj. Forkert service af elektriske komponenter kan føre til tilstande, der kan medføre alvorlig tilskadekomst. Pumpen, stemplets komponenter og samtlige elektriske dele må kun serviceres hos et autoriseret servicecenter, hos forhandleren eller distributøren.

VEDLIGEHODELSE

FORSIGTIG:

- Sørg altid for at værktøjet er slukket, og at batteripakken er taget ud, før det forsøges at udføre eftersyn eller vedligeholdelse.
- Anvend aldrig benzin, rensebenzin, fortynder, sprit eller lignende. Dette kan føre til misfarvning eller revner.

Udskiftning af kulbørsterne (fig. 16)

Kullene skal udskiftes, når de er slidt ned til slidgrænsen.

Hold kulbørsterne rene og frie til at glide i holderne.

Begge kulbørster bør udskiftes parvis og samtidigt.

Anvend kun identiske kulbørster.

Benyt en skruetrækker til at fjerne de to skruer, og fjern

derefter bagdækslet. (fig. 17)

Løft armen på fjederen, og placer den i den forsænkede

del af huset med en kærvskruetrækker med et tyndt skaft

eller lignende. (fig. 18)

Brug en pincet til at fjerne kulbørstedækslerne fra kulbørsterne. Tag de udslidte kulbørster ud, monter de nye, og monter kulholderdækslerne i omvendt rækkefølge af ovenstående. (fig. 19)

Sørg for, at kulbørstedækslerne sidder godt fast i hullerne

på børsteholderne. (fig. 20)

Monter bagdækslet igen, og stram de to skruer godt. For

at bevare produktets SIKKERHED og PÅLIDELIGHED

skal reparationer og anden vedligeholdelse og justering

udføres af et autoriseret Makita-servicecenter og altid

med originale Makita-reservedele.

VALGFRIT TILBEHØR

FORSIGTIG:

- Dette tilbehør eller ekstraudstyr anbefales til brug med det Makita-værktøj, som er beskrevet i denne brugsanvisning. Brug af andet tilbehør eller ekstraudstyr kan udgøre en risiko for personskade.

Brug kun tilbehøret eller ekstraudstyret til det formål, det er beregnet til.

Hvis du har behov for assistance eller ønsker yderligere oplysninger om disse tilbehør, kan du henvende dig til det lokale Makita-servicecenter.

- Originalt Makita-batteri og oplader

BEMÆRK:

- Visse af de nævnte dele kan være inkluderet i emballagen som standardtilbehør. Dette kan variere fra land til land.

Förklaring till översiktstillbilderna

- | | | |
|-------------------|----------------------------|-----------------------------|
| 1. Röd indikator | 13. Stoppare | 25. Blad A på stånghållaren |
| 2. Knapp | 14. Mer än 200 mm | 26. Blad B på skäret |
| 3. Batterikassett | 15. Lufthål | 27. Reservblad |
| 4. Stjärnmärke | 16. Insexnyckel | 28. Gränsmärke |
| 5. Omkopplare | 17. Returventil | 29. Bakre lucka |
| 6. Avtryckare | 18. Blad A (tjockare blad) | 30. Skruv |
| 7. Sida A | 19. Blad B (tjockare blad) | 31. Arm |
| 8. Sida B | 20. Skruv (längre) | 32. Fjäder |
| 9. Skydd | 21. Skruv (kortare) | 33. Infälld del |
| 10. Stödskruv | 22. Bricka | 34. Kolborstlock |
| 11. Armeringsjärn | 23. Stånghållare | 35. Hål |
| 12. Blad | 24. Skär | |


SPECIFIKATIONER


Modell	DSC162	DSC191
Max. kapningskapacitet (dia.mm)	16 mm	20 mm
Grad 40 - Grad 60		
Grad 40: Gradhållfasthet 490 N/mm ² 70 000 PSI		
Grad 60: Gradhållfasthet 620 N/mm ² 90 000 PSI		
Skärhastighet	4,0 sekunder	6,5 sekunder
Total längd	380 mm	412 mm
Nettovikt	6,5 kg	10,5 kg
Märkspänning	D.C. 18V	


- På grund av vårt pågående program för forskning och utveckling kan dessa specifikationer ändras utan föregående meddelande.
- Specifikationerna och batterikassetten kan variera mellan olika länder.
- Vikt, med batterikassett, enligt EPTA-procedur 01/2003


Symboler

Följande symboler används för utrustningen. Se till att du förstår deras innebörd före användning.

 Läs instruktionsmanualen.

 Fara för flygande rester och starkt buller. Bär hörsel- och ögonskydd.

 Rörliga blad. Håll händerna borta medan maskinen är i drift. Stäng av strömmen innan service.

 Endast för EU-länder
Elektrisk utrustning och batteripaket får inte kastas i hushållsavfallet!
I enlighet med de europeiska direktiven, som avser elektrisk och elektronisk utrustning som ska kasseras och batterier och ackumulatörer samt batterier och ackumulatörer som ska kasseras och utförandet av dessa enligt nationella lagar, ska utjämt elektrisk utrustning och utjämta batterier och batteripaket sorteras separat och lämnas till miljöstation för återvinning.

Avsedd användning

Verktyget är avsett för kapning av armeringsjärn.

Buller

Typisk A-vägd ljudnivå som fastställts genom EN60745:

Ljudtrycksnivå (LpA): 80,5 dB(A)

Ljudeffektnivå (LWA): 90,1 dB(A)

Osäkerhet (K): 3 dB(A)

Bär hörselskydd

Vibration

Det totala vibrationsvärdet (treaxlad vektorsumma) bestämts enligt EN60745:

Arbetsläge: kapa armeringsjärn

Vibrationsemission (a_h): 2,5 m/s² eller mindre

Osäkerhet (K): 1,5 m/s²

- Det deklarerade vibrationsvärdet har uppmätts i enlighet med standardprovmetod och kan användas för att jämföra olika elverktyg med varandra.
- Det deklarerade vibrationsvärdet kan även användas i en preliminär exponeringsbedömning.

⚠ VARNING:

- Vibrationsemissionen under den faktiska användningen av elverktyget kan skilja sig från det deklarerade emissionsvärdet beroende på de sätt som verktyget används.
- Var noga med att identifiera säkerhetsåtgärder för att skydda operatören som baseras på en uppskattning av exponeringen i de faktiska användningsförhållandena (med beaktande av alla delar av testcykeln, som de tider när verktyget är avstängd och när den är inaktiv förutom användningstiden).

EG-försäkran om överensstämmelse

Endast för europeiska länder

EG-försäkran om överensstämmelse finns med som bilaga A till denna instruktionsmanual.

Allmänna säkerhetsföreskrifter för elverktyg

⚠ VARNING Läs alla säkerhetsvarningar och alla anvisningar. Underlåtenhet att följa varningarna och anvisningarna kan leda till elstötar, brand och/eller allvariga skador.

Spara alla varningar och anvisningar för framtida referens.

Termen "elverktyg" i varningarna hänför sig till nätdrivna (med sladd) elverktyg eller batteridrivna (sladdlösa) elverktyg.

Arbetsmiljösäkerhet

1. **Håll arbetsområdet rent och väl upplyst.** Röriga eller mörka områden inbjuder till olyckor.
2. **Använd inte elverktyg i explosiva atmosfärer, som i närvaro av brandfarliga vätskor, gaser eller damm.** Elverktyg genererar gnistor som kan antända dammet eller ångorna.
3. **Håll barn och kringstående på avstånd när du använder ett elverktyg.** Distractioner kan få dig att tappa kontrollen.

Elsäkerhet

4. **Elverktygets elkontakt måste passa till vägguttaget.** Modifiera aldrig kontakten på något sätt. Använd inte adapterkontakter med jordade elverktyg. Oförändrade elkontakter och matchande uttag minskar risken för elstötar.
5. **Undvik kroppskontakt med jordade ytor som rör, värmelement, spisar och kylskåp.** Det finns en ökad risk för elstötar om din kropp är jordad.
6. **Utsätt inte elverktyg för regn eller väta.** Tränger vatten in i ett elverktyg ökar risken för elstötar.
7. **Var inte oksam med sladden. Använd aldrig sladden för att bära, släpa eller dra ur elverktyget. Håll sladden borta från värme, olja, skarpa kanter och rörliga delar.** Skadade eller tilltrasslade sladdar ökar risken för elstötar.

8. **När du arbetar med ett elverktyg utomhus, använd en förlängningssladd avsedd för utomhusbruk.** Användning av en sladd som är lämplig för utomhusbruk minskar risken för elstötar.
9. **Om det är oundvikligt att använda ett elverktyg i fuktigt miljö, använd ett eluttag med jordfelsbrytare (GFCI).** Användning av en jordfelsbrytare minskar risken för elstötar.

Personlig säkerhet

10. **Var uppmärksam, kontrollera vad du gör och använd sunt förnuft när du arbetar med ett elverktyg. Använd inte elverktyg när du är trött eller påverkad av droger, alkohol eller mediciner.** Ett ögonblicks ouppmärksamhet under arbetet kan resultera i allvariga personskador.
 11. **Använd personlig skyddsutrustning. Bär alltid ögonskydd.** Skyddsutrustning som till exempel ansiktsmask, halkfria säkerhetsskor, hjälm eller hörselskydd för tillämpliga förhållanden minskar personskadorna.
 12. **Förhindra oavsiktlig start. Kontrollera att strömbrytaren är av innan du ansluter till strömkällan och/eller batteriet, lyfter upp eller bär verktyget.** Att bära elverktyget med fingret på strömbrytaren eller koppla i sladden till elverktyg som har strömbrytaren på, inbjuder till olyckor.
 13. **Ta bort alla inställningsverktyg och -nycklar innan du startar verktyget.** Ett verktyg eller en nyckel i en roterande del av det elverktyget kan resultera i personskador.
 14. **Sträck dig inte för långt. Stå stadigt och i balans hela tiden.** Detta ger bättre kontroll över elverktyget i oväntade situationer.
 15. **Klä dig rätt. Bär inte löst hängande kläder eller smycken. Håll håret, kläderna och handskarna borta från rörliga delar.** Lösa kläder, smycken eller löst hår kan fastna i rörliga delar.
 16. **Om det medföljer tillbehör för anslutning av en dammuppsamlare, kontrollera att de är anslutna och används på rätt sätt.** Användning av dammuppsamling minskar dammrelaterade risker.
- ### **Användning och skötsel av elverktyg**
17. **Ansträng inte elverktyget. Använd rätt elverktyg för ditt användningsområde.** Det lämpliga elverktyget gör arbetet bättre och säkrare med den hastighet som det är konstruerat för.
 18. **Använd inte elverktyget om strömbrytaren inte startar och stänger av det.** Alla elverktyg som inte kan kontrolleras med strömbrytaren är farliga och måste repareras.
 19. **Koppla ur kontakten från strömkällan och/eller batteripaketet från elverktyget innan du gör några justeringar, byter tillbehör eller lägger undan elverktyget för förvaring.** Sådana förebyggande säkerhetsåtgärder minskar risken för att elverktyget startas av misstag.
 20. **Förvara inaktiva elverktyg utom räckhåll för barn och tillåt inte personer som är obekanta med elverktyget eller dessa anvisningar att använda elverktyget.** Elverktyg är farliga i händerna på okvalificerade användare.

21. **Underhåll elverktyget.** Kontrollera obalanser eller hängning av rörliga delar, brott på delar och alla andra tillstånd som kan påverka elverktygets drift. Om delar är skadade ska de repareras innan verktyget används. Många olyckor orsakas av dåligt underhållna verktyg.
22. **Håll skärverktyg vassa och rena.** Rätt underhållna skärverktyg med vassa skäreggar är mindre benägna att hänga sig och är lättare att kontrollera.
23. **Använd elverktyget, tillbehören och verktygsdelarna mm. enligt dessa anvisningar, med hänsyn till arbetsförhållandena och arbetet som ska utföras.** Användning av elverktyget för andra verksamheter än de avsedda kan resultera i en farlig situation.

Användning och skötsel av batteriverktyg

24. **Ladda endast med den laddare som specificerats av tillverkaren.** En laddare som passar en viss typ av batterikassett kan skapa risk för brand när den används tillsammans med annan batterikassett.
25. **Använd elverktyg endast med den särskilt utsedda batterikassetten.** Om andra batterikassetter används kan risk för personskada och brand uppstå.
26. **När batterikassetten inte används ska den hållas borta från andra metallföremål som till exempel gem, mynt, nycklar, spik, skruv eller andra små metallföremål som kan skapa anslutning från en koppling till en annan.** Kortslutning av batterikopplingarna kan orsaka brännskador eller brand.
27. **Under hårda förhållanden kan det komma vätska ur batteriet, och du ska då undvika kontakt. Spola med vatten om kontakt ändå råkar uppstå. Om vätskan kommer i kontakt med ögonen ska dessutom läkare uppsökas.** Vätska från batteriet kan orsaka irritation på huden eller brännskador.

Service

28. **Få dina elverktyg reparerade av en kvalificerad reparatör, med endast identiska utbytesdelar.** Detta försäkrar att produktens säkerhet bibehålls.
29. **Följ anvisningarna för smörjning och byte av tillbehör.**
30. **Håll handtagen torr, ren och fria från olja och fett.**

SÄKERHETSVARNINGAR FÖR SLADDLÖS STÅLSTÅNGSKAPARE

1. **Håll verktyget stadigt när det används.** Om verktyget inte hålls stadigt, kan du skadas.
2. **Håll händer och ansikte bort från rörliga delar.** De kan orsaka en skada.
3. **Släpp avtryckaren omedelbart för att stoppa driften när verktyget inte fungerar eller avger ett onormalt ljud under användning.** Få det inspekterat och repareras av en auktoriserad serviceverkstad. Underlåtenhet att göra detta kan resultera i skador.
4. **Om du tappar eller slår till verktyget, kontrollera noga att verktygshuset inte är skadat, knäckt eller deformerat.** Sådana skador kan orsaka skada.

5. **Detta verktyg är ett elektrohydrauliskt verktyg.** Oljebehållaren fylls före leverans. Tillsätt inte till olja om inte verktyget fungerar onormalt.
6. **Blad för metallskärning har vassa kanter.** Hantera dem varsamt för att undvika att skadas.
7. **Skadat, deformerat eller knäckt blad kan orsaka allvarliga olyckor samt försämra driften.** Ersätt det med nya äkta blad omedelbart.

SPARA DESSA INSTRUKTIONER.

⚠ VARNING:

LÄT INTE BEKVÄMLIGHET eller förtrogenhet med produkten (från upprepad användning) göra att du inte strikt följer säkerhetsbestämmelserna för produkten i fråga. MISSBRUK eller underlåtenhet att följa de säkerhetsregler som anges i denna bruksanvisning kan orsaka allvarliga personskador.

VIKTIGA SÄKERHETSINSTRUKTIONER

FÖR BATTERIKASSETTEN

1. **Innan batterikassetten används ska alla instruktioner och varningsmärken på (1) batteriladdaren, (2) batteriet och (3) produkten för batteriet läsas.**
2. **Montera inte isär batterikassetten.**
3. **Om driftstiden blivit avsevärt kortare ska användningen avbrytas omedelbart.** Det kan annars resultera i risk för överhettning, brännskador och t.o.m. en explosion.
4. **Om du får elektrolyt i ögonen ska du skölja dem med rent vatten och omedelbart söka läkarvård.** Det finns risk för att synen förloras.
5. **Kortslut inte batterikassetten:**
 - (1) Rör inte vid kontakterna med något strömförande material.
 - (2) Undvik att förvara batterikassetten i en behållare tillsammans med andra metallföremål som t.ex. spik, mynt etc.
 - (3) Utsätt inte batterikassetten för vatten eller regn.

Ett kortslutet batteri kan orsaka ett stort strömflöde, överhettning, eventuella brännskador och apparaten kan till och med gå sönder.

6. **Förvara inte verktyget och batterikassetten på platser där temperaturen kan nå eller överstiga 50 °C.**
7. **Bränn inte upp batterikassetten även om den är svårt skadad eller helt utsliten.** Batterikassetten kan explodera vid brand.
8. **Var försiktig så att du inte råkar tappa batteriet och utsätt det inte för stötar.**
9. **Använd inte ett skadat batteri.**
10. **Följ dina lokala bestämmelser gällande kassering av batteri.**

SPARA DESSA INSTRUKTIONER.

Tips för att bevara maximal batterilivslängd

1. Ladda batterikassetten innan den är helt urladdad. Stoppa alltid verktyget och ladda batterikassetten när du märker att kraften hos verktyget avtar.
2. Ladda aldrig en fulladdad batterikasset. Överladdning förkortar batteriets livslängd.
3. Ladda batterikassetten i en rumstemperatur på 10 °C - 40 °C. Låt en varm batterikasset svalna innan den laddas.
4. Ladda batterikassetten en gång var sjätte månad om du inte använder den under en längre period.

FUNKTIONSBESKRIVNING

⚠ FÖRSIKTIGHET:

- Se alltid till att apparaten är avstängd och batterikassetten borttagen innan du justerar eller kontrollerar verktygets funktioner.

Sätta i eller ta ur batterikassetten (Bild 1)

⚠ FÖRSIKTIGHET:

- Stäng alltid av apparaten innan du sätter i eller tar ur batterikassetten.
- **Håll verktyget och batterikassetten stadigt när du sätter i och tar ur batterikassetten.** Om du inte håller stadigt i verktyget och batterikassetten kan de halka ur dina händer vilket kan resultera i skada på verktyget och batterikassetten och personskada.

Du tar ur batterikassetten genom att dra av den från apparaten medan du skjuter fram knappen på kassetten framsida.

Du sätter in batterikassetten genom att rikta in tungan på batterikassetten mot spåret i höljet och trycka den på plats. Tryck in den ordentligt tills den låser fast med ett litet klick. Om du kan se den röda indikatorn på knappens ovansida sitter den inte fast ordentligt.

⚠ FÖRSIKTIGHET:

- Sätt alltid in batterikassetten helt tills den röda indikatorn inte går att se. I annat fall kan batterikassetten av en olyckshändelse trilla ut ur apparaten och orsaka personskada på dig eller någon annan.
- Sätt inte in batterikassetten med våld. Om kassetten inte lätt glider in sätts den inte i på rätt sätt.

Batteriskyddssystem (litiumjonbatteri med stjärnmärke) (bild 2)

Litiumjonbatterier med ett stjärnmärke är utrustade med ett skyddssystem. Detta system stänger automatiskt av strömmen till apparaten för att förlänga batteriets livslängd.

Verktyget stoppar automatiskt under användning om apparaten och/eller batteriet utsätts för något av följande förhållanden:

- Överbelastad:
Apparaten används på ett sätt som får den att dra onormalt mycket ström.
I händelse av detta, släpp avtryckaren på verktyget och upphör med den användning som orsakade

överbelastningen. Tryck sedan på avtryckaren för att starta om.

Om verktyget inte startar är batteriet överhettat. I händelse av detta, låt batteriet svalna innan du startar det igen.

- Låg batterispänning:
Den återstående batterikapaciteten är för låg och verktyget fungerar inte. I en sådan situation ska du ta ur och ladda batteriet.

INSTRUKTIONER FÖR ANVÄNDNING

Läs, förstå och följ alla säkerhetsföreskrifter och rutiner. Om du inte förstår anvisningarna, eller om förhållandena inte tillåter rätt korrekt drift, ska verktyget inte användas. Rådgör med din chef eller annan ansvarig person.

⚠ VARNING:

- Innan batteriet sätts in i verktyget, tryck in och släpp avtryckaren för att säkerställa att den lossnar när den släpps.

Motorn startas när avtryckaren trycks in och stängs av när avtryckaren släpps.

Drift med omkopplare (Bild 3)

- Tryck på omkopplaren på sida A. Omkopplaren är oläst och avtryckaren kan användas.
- Tryck på omkopplaren på sida B. Omkopplaren är låst och avtryckaren kan inte användas.

⚠ FÖRSIKTIGHET:

- Avtryckaren ska alltid vara låst när verktyget inte används.

⚠ VARNING:

- Kontrollera före användning att läget för operatören, i förhållande till verktyget och det omgivande området, är säkert för användning. Sätt på skyddsglasögon och skyddskläder.
- Följ verktygsspecifikationerna i handboken och kapa inte armeringsjärn av en storlek eller hårdhet som överskrider verktygets skärförmåga.
- Skär inga andra material än armeringsjärn. Fråga tillverkaren om du vill kapa andra material.

⚠ VARNING:

- Byt skadade (kluvna, brutna, knäckta) eller deformerade blad omedelbart. Bladen kommer inte skära rakt och kan spricka eller gå sönder och orsaka allvarlig personskada.

KaKapa

⚠ VARNING

- **Använd aldrig verktyget utan skyddet på plats.** Det kan orsaka allvarliga personskador. (Bild 4)

1. Placera armeringsjärnet som ska kapas mellan bladen. (Bild 5)
Justera stopparen (DSC162) eller stödskraven (DSC191), beroende på diameter, efter det armeringsjärn som ska kapas så att armeringsjärnet är i 90 grader mot bladen. Stopparen (DSC162) eller stödskraven (DSC191) stöder armeringsjärnet och håller det vinkelrätt mot bladen när du kapar. (Bild 6)

VARNING

- Vid kapning av armeringsjärn, justera stopparen (DSC162) eller stödskraven (DSC191), beroende på diameter, efter det armeringsjärn som ska kapas så att armeringsjärnet är i 90 grader mot bladen. Utan denna justering kan den kapade biten flyga iväg och orsaka allvarliga skador på operatör eller åskådare. Glöm aldrig att kontrollera läget för operatören i förhållande till verktyget och bekräfta säkerheten för operatören och omgivningen.
2. Placera armeringsjärnet som ska kapas så att det helt är mellan bladen. **(Bild 7)**

VARNING

- Om armeringsjärnet som ska kapas inte placeras helt mellan bladen, kommer knivarna att skadas; armeringsjärnet kommer att matas ut våldsamt och det kan orsaka allvarliga personskador.

VARNING

- Kapa inte armeringsjärn när den avskurna biten blir mindre än 200 mm i längd. Att kapa kortare längd kan leda till att armeringsjärnet flyger iväg under snittet och kan leda till allvarliga personskador. **(Bild 8)**

VARNING

- Kapa inte armeringsjärn utan rätt stöd från stopparen (DSC162) eller stödskraven (DSC191). När du kapar, håll armeringsjärnet på sidan med stopparen (DSC162) eller stödskraven (DSC191). **(Bild 9)** Annars kan den kapade biten flyga iväg och orsaka allvarliga skador på operatör eller åskådare.
3. Tryck på omkopplaren på sida A. Omkopplaren låses upp och avtryckaren kan användas.
4. Tryck på avtryckaren för att börja kapa. Skäret kommer att gå framåt att kapa armeringsjärnet. Håll avtryckaren nedtryckt tills skäret slutar i slutet av sitt drag.
5. Släpp avtryckaren när snittet är klart och skäret har nått slutet av sitt drag. Skäret återgår sedan automatiskt till sin startposition. Skäret återgår inte om draget inte är avslutat. Samtidigt kommer skäret inte att kunna fortsätta framåt förrän återgått helt till sin startposition. Tryck på avtryckaren för att starta nästa snitt först efter skäret återvänt helt till sin startposition och stannar.

VARNING

- Vid kapning av armeringsjärn med hög draghållfasthet kan den kapade biten flyga av och orsaka allvarliga skador på operatören. Använd skyddsglasögon och bekräfta att omgivningen är säker innan operationen. **(Bild 10)**

Reservblad storlek

Modell	A (monteras på stånghållaren)	B (monteras på skäret)
DSC162 (ø3 - ø16)	22 × 17 × 9 mm (skruvstorlek 5 mm)	22 × 17 × 8 mm (skruvstorlek 5 mm)
DSC191 (ø3 - ø20)	28 × 20 × 11,5 mm (skruvstorlek 6 mm)	26 × 20 × 10 mm (skruvstorlek 5 mm)

OBSERVERA:

- Använd endast äkta Makita-blad.

VARNING

- Håll händer och ansikte bort från bladen, rörliga delar och skärområdet under drift.
Ta ur batteriet ur verktyget omedelbart efter användning.

OBSERVERA:

- Håll lufthålet i slutet av stånghållaren fritt från smuts och skräp. Lufthålet styr det inre trycket och får inte täckas för. **(Bild 11)**

Motorns roterande funktion (Bild 12)

Motorhuset kan vridas 360 grader, i endera riktningen, under drift. Den här funktionen är särskilt användbar när man arbetar i obekväma eller smala områden eftersom det ger operatören möjlighet att placera verktyget i den bästa positionen för enkelt handhavande.

Returventilens funktion (Bild 13)

Returventilens funktion är att tillåta skäret att återvända till startpositionen om den inte lyckas avsluta ett snitt eller fastnar. Detta kommer att frigöra oljetrycket och låta skäret återvända. Dra åt returventilen igen när skäret är helt tillbaka och före nästa användning.

BYTA BLAD

Om skäreaggarna på bladen är kluvna, knäckta, deformationer eller skadade på något sätt, försämras skärförmågan. Kapning under sådana förhållanden kan orsaka ytterligare skador och resultera i personskador. Båda bladen ska bytas omedelbart om skador upptäcks.

VARNING

- När du byter ut bladen, se till att batteriet är borttaget från verktyget för att förhindra oavsiktlig drift.
Se till att blad A på stånghållaren och blad B på skäret är monterade rätt på sina respektive platser. **(Bild 14)**
- Lossa skruvarna och brickorna som fäster blad A och blad B.
 - Ta bort smuts och rengör de ytor där de nya bladen ska monteras.
 - Sätt blad A i stånghållaren och blad B i skäret. Sätt tillbaka skruvar och brickor och dra åt ordentligt.

VARNING

- Skruvorna som fäster bladet A och blad B ska dras åt regelbundet. Om skruvarna lossnar kan bladen skadas och det kan orsaka personskador.

Typ av reservblad och fästning (Bild 15)

Fästskruvarna ska vara ordentligt åtdragna.

Kontrollera regelbundet att bladet sitter fast ordentligt.

- Använd tabellen för att identifiera rätt blad för din modell.

TILLSÄTTA OLJA

Denna sladdlösa armeringsjärnskapare är elektrohydraulisk. När den skickades från fabriken var den fylld med olja. Försök inte att tillsätta olja så länge verktyget fungerar väl. Med tiden kommer oljenivån gradvis att minska. Så småningom kommer detta att leda till en märkbar försämring. När detta händer, tillsätt olja på följande sätt.

1. Sätt ett armeringsjärn mellan bladen och trycka av avtryckaren.
2. Släpp avtryckaren strax innan snittet är klart för att stoppa verktyget.
3. Ta ur batteriet ur verktyget, så att bladen inte kan flyttas av misstag.
4. Lossa skruven (SB10x15) som täcker oljepåfyllningshålet. Tillsätt olja; var försiktig så att ingen olja läcker ut i motorn.
5. Sätt tillbaka skruven (SB10x15) och dra åt ordentligt.
6. Sätt tillbaka batteriet i verktyget och slutför kapningen.
7. Upprepa proceduren flera gånger tills oljenivån är rätt.

FÖRSIKTIGHET

- Endast ren hydraulolja, såsom rekommenderas av Makita & Company Ltd, bör användas i detta verktyg. Rekommenderade oljor inkluderar Makita hydraulolja, Super Hyrando #46 (JX Nippon olja & Energy Corp); Shell Tellus Plus #46 (U.S. Shell) eller andra hydrauloljor för anti-slitage med motsvarande spec., ISO viskositetsgrad 46.

FELSÖKNING

⚠ VARNING:

- Ta bort batteriet innan du arbetar på maskinen.

PROBLEM	ORSAK	LÖSNING
Skåret går inte framåt.	Otillräcklig olja	Fyll på olja. (Se "Tillsätta olja")
	Skåret har inte återvänt helt på grund av en ansamling av rester mellan skåret och stånghållaren.	Tryck tillbaka skåret manuellt. Ta bort rester och rengör
	Skåret har inte återvänt helt på grund av skador på skåret.	Byt skåret.
	Skåret har inte återvänt helt på grund av lösa eller skadade blad.	Dra åt bladets skruvar. Byt bladen
	Skåret har inte återvänt helt på grund av svag retur fjäder.	Byt retur fjäder.
Otillräcklig effekt för att kapa armeringsjärn.	Otillräcklig olja.	Fyll på olja. (Se "Tillsätta olja")
	Returventilen sitter inte ordentligt eller är skadad.	Rengör spetsen på returventilen och dess plats. Ta bort eventuella rester från platsen.
	Returventilen skadad.	Byt ut.
	Felaktigt avstånd mellan cylinder och kolv.	Byt kolven (Obs: det finns kolvar av olika storlek)
	Backventilen sitter inte ordentligt eller är skadad.	Rengör backventilen och dess plats. Byt ut.
	Uretanpackning skadad eller trasig.	Byt ut.
Oljeläckage.	Oljenivåblåsan skadad eller trasig.	Byt ut.
	Skåret/stånghållaren, O-ringen skadad; skåret/stånghållarens yta repad eller räfflad.	Byt ut reservring och O-ring. Byt ut skär/stånghållare
	Cylinder/stånghållare, O-ring skadad	Byt ut O-ringen.
	Cylinder/pumpbehållare, packning skadad.	Byt ut lopp B.
	Skär/cylinder/pumpbehållare, flänsbultarna lösa.	Dra åt bultarna.
Motorn rör sig inte. Motorn långsam eller oregelbunden.	Felaktig spänning.	Byt batteri.
	Batteriet börjar ta slut.	Byt batteri.
	DC-motor skadad av överhettning.	Byt ut DC-motorn.
	DC-motors lager eller växel skadad eller trasig.	Byt ut lager eller växel.

OBSERVERA:

- De inre delarna i pump- och kolvrådet har mycket snäva toleranser och är känsliga för skador från damm, smuts, förorening av hydraulisk vätska eller felaktig hantering. Demonteringen av pumphuset kräver specialverktyg och utbildning, och ska endast prövas av kvalificerad reparation personal som utbildats i detta och har rätt verktyg. Felaktig service av elektriska komponenter kan leda till förhållanden som kan orsaka allvarlig skada. Pumpen, kolvkomponenter och alla elektriska delar bör handhas endast av auktoriserad verkstad, återförsäljare eller distributör.

UNDERHÅLL

⚠ FÖRSIKTIGHET:

- Säkerställ alltid att verktyget är avstängt och batterikassetten uttagen innan du försöker utföra inspektion eller underhåll.
- Använd aldrig bensin, tvättbensin, thinner, alkohol eller liknande. Det kan resultera i missfärgning, deformation eller sprickor.

Byta kolborstar (bild 16)

Byt ut när de slitits ner till gränsmärket. Håll kolborstarna rena och fria att glida i hållarna. Båda kolborstarna ska

bytas på samma gång. Använd endast identiska kolborstar.

Använd en skruvmejsel för att ta bort två skruvar och ta sedan bort den bakre luckan. (Bild 17)
Höj armdelen av fjädern och placera den i den infällda delen av höljet med en stjärnskruvmejsel med smalt skaft eller liknande. (Bild 18)
Använd tång för att ta bort kolborstlocken på kolborstarna. Ta ut de slitna kolborstarna, sätt dit nya och sätt tillbaka kolborstlocken i omvänd ordning. (Bild 19)

Se till att kolborstlocken har hamnar i hålen i borsthållarna ordentligt. (Bild 20)

Sätt tillbaka den bakre luckan och dra åt de två skruvarna ordentligt. För att upprätthålla produktens SÄKERHET och TILLFÖRLITLIGHET ska alla reparationer och allt underhålls- och justeringsarbete utföras av ett auktoriserat Makita servicecenter och alltid med reservdelar från Makita.

VALBARA TILLBEHÖR

FÖRSIKTIGHET:

- Följande tillbehör och tillsatser rekommenderas för användning tillsammans med Makita-verktyget som specificeras i denna manual. Om andra tillbehör eller tillsatser används kan det uppstå risk för personskador. Använd endast tillbehören eller tillsatserna för de syften de är avsedda för.

Kontakta ditt lokala Makita servicecenter om du behöver ytterligare information om dessa tillbehör.

- Makitas originalbatteri och -laddare

OBSERVERA:

- Vissa föremål i listan kan vara inkluderade i verktygspaketet som standardtillbehör. De kan variera mellan olika länder.

Bildeforklaring

- | | | |
|------------------|---------------------------|---------------------------|
| 1. Rød indikator | 13. Sperre | 25. Blad A på stangholder |
| 2. Knapp | 14. Mer enn 200 mm | 26. Blad B på rørkutter |
| 3. Batteri | 15. Lufthull | 27. Reserveblader |
| 4. Stjernemerke | 16. Unbrakonøkkel | 28. Grensemerke |
| 5. Bryterlås | 17. Returventil | 29. Bakdeksel |
| 6. Startbryter | 18. Blad A (tykkere blad) | 30. Skruer |
| 7. Side A | 19. Blad B (tykkere blad) | 31. Arm |
| 8. Side B | 20. Bolt (lang) | 32. Fjær |
| 9. Vern | 21. Bolt (kort) | 33. Innfelt del |
| 10. Festebolt | 22. Skive | 34. Børstehette i karbon |
| 11. Armering | 23. Stangholder | 35. Hull |
| 12. Blader | 24. Rørkutter | |

SPESIFIKASJONER

Modell	DSC162	DSC191
Maks. skjærekapasitet (diameter)		
Grad 40 ~ Grad 60	16 mm	20 mm
Grad 40: Strekkstyrke 490 N/mm ² 70 000 PSI		
Grad 60: Strekkstyrke 620 N/mm ² 90.000 PSI		
Skjærehastighet	4,0 sekunder	6,5 sekunder
Total lengde	380 mm	412 mm
Nettovekt	6,5 kg	10,5 kg
Nominell spenning	Likestrøm 18 V	

- På grunn av vårt kontinuerlige program for forskning og utvikling kan disse spesifikasjonene endres uten forvarsel.
- Spesifikasjoner og batteri kan variere fra land til land.
- Vekt, med batteri, i henhold til EPTA-prosedyre 01/2003

Symboler

Følgende symboler brukes for utstyret. Det er viktig at du forstår deres betydning før bruk.



..... Les brukerhåndboken.



..... Flygende materialrester og høy støyfare. Bruk hørselvern og vernebriller.



..... Bevegelig blad. Hold hendene unna når maskinen er i drift. Slå av strømmen før service.



..... Kun for EU-land
Elektrisk utstyr eller batteripakken må ikke avhendes sammen med husholdningsavfall!

I samsvar med de europeiske direktivene om avfallelektronikk og elektronisk utstyr og batterier og akkumulatører, og deres implementasjon i samsvar med nasjonale lover, må elektrisk utstyr og batterier og batteripakker som har nådd enden av levetiden sin samles inn separat og returneres til et miljøvennlig resirkuleringsanlegg.

Tiltenkt bruk

Verktøyet er beregnet til å kutte armeringsjern.

Støy

Typisk A-veid støynivå fastsettes i henhold til EN60745:

- Lydtrykk (LpA): 80,5 dB(A)
- Lydeffekt (LWA): 90,1 dB(A)
- Feilmargin (K): 3 dB(A)

Bruk hørselvern

Vibrasjon

Vibrasjonens totalverdi (triaksial vektorsum) er bestemt i henhold til EN60745:

- Arbeidsmodus: Kutte armeringsjern
- Vibrasjonsutslipp (a_h): 2,5 m/s² eller mindre
- Feilmargin (K): 1,5 m/s²

- Den deklarte vibrasjonsutslippverdien er målt i samsvar med standardtestmetoden, og kan anvendes for å sammenlikne ett verktøy med et annet.
- Den erklærte vibrasjonsutslippverdien kan også brukes i en foreløpig eksponeringsvurdering.

⚠ ADVARSEL:

- Vibrasjonens utslipp under faktisk bruk av elektroverktøyet kan variere fra den opplyste emisjonsverdien avhengig av hvordan maskinen brukes.
- Sørg for å identifisere sikkerhetstiltak for å beskytte brukeren basert på estimering av eksponering under de faktiske bruksforholdene (med hensyn til alle deler av bruken, som tiden når verktøyet er slått av og når det går på tomgang, i tillegg til aktiv bruk).

EU-samsvarserklæring

Kun for land i Europa

EU-samsvarserklæringen er inkludert i vedlegg A i denne brukerhåndboken.

Generelle sikkerhetsadvarsler for elektroverktøy

⚠ ADVARSEL Les alle sikkerhetsadvarsler og instruksjoner. Unnlattelse av å følge advarslene og instruksjonene kan føre til elektrisk støt, brann og/eller alvorlige skader.

Ta vare på alle advarsler og instruksjoner for fremtidig bruk.

Betegnelsen "elektroverktøy" i advarslene henviser til strømndrevne (med ledning) elektroverktøy eller batteridrevne (trådløse) elektroverktøy.

Sikkerhet i arbeidsområdet

1. **Hold arbeidsområdet rent og godt opplyst.** Rotete og dårlig opplyste områder kan føre til ulykker.
2. **Ikke arbeid med elektroverktøy i eksplosjonsfarlige omgivelser, for eksempel i nærheten av brennbare væsker, gass eller støv.** Elektroverktøy lager gnister som kan antenne støv eller gasser.
3. **Hold barn og andre personer unna når du arbeider med elektroverktøy.** Distraksjoner kan føre til at du mister kontrollen.

Elektrisk sikkerhet

4. **Støpselet til maskinen må passe inn i stikkkontakten. Støpselet må ikke forandres på noen måte. Ikke bruk adapter sammen med et jordet elektroverktøy.** Originalstøpsel som passer med veggkontakten vil redusere faren for elektrisk støt.
5. **Unngå kroppskontakt med jordete overflater som rør, radiatorer, komfyrer og kjøleskap.** Det er en økt risiko for elektrisk støt hvis kroppen din er jordet.
6. **Ikke utsett elektroverktøy for regn eller våte forhold.** Kommer det vann i et elektroverktøy, øker risikoen for elektrisk støt.
7. **Ikke misbruk ledningen. Bruk aldri ledningen til å bære, trekke eller trekke ut støpselet til elektroverktøyet. Hold ledningen borte fra varme, olje, skarpe kanter eller bevegelige deler.** Med skadede eller opphopede ledninger øker risikoen for elektrisk støt.

8. **Hvis elektroverktøyet skal brukes utendørs, må du bruke en skjøteledning som er godkjent for utendørs bruk.** Hvis du bruker en skjøteledning som er egnet for utendørs bruk, reduseres risikoen for elektrisk støt.
9. **Hvis bruk av elektroverktøyet i et fuktig område ikke kan unngås, må du bruke en strømforsyning med jordfeilbryter (RCD).** Hvis du bruker en jordfeilbryter, reduseres risikoen for elektrisk støt.

Personlig sikkerhet

10. **Vær oppmerksom, pass på hva du gjør og bruk sunn fornuft når du bruker et elektroverktøy. Ikke bruk verktøyet når du er trøtt eller påvirket av narkotika, alkohol eller medikamenter.** Et øyeblikks uoppmerksomhet ved bruk av maskinen kan føre til alvorlig personskade.
 11. **Bruk personlig verneutstyr. Bruk alltid vernebriller.** Verneutstyr som støvmaske, sklisikre vernesko, hjelm eller hørselsvern der det kreves, reduserer risikoen for skader.
 12. **Unngå utilsikket start. Pass på at bryteren er i avposisjon før du kobler det til strømmen og/eller batteriet, løfter opp verktøyet eller bærer det.** Å bære elektroverktøy med fingeren på bryteren eller lade det med bryteren på, inviterer til uhell.
 13. **Fjern eventuelle justeringsnøkler før du slår på elektroverktøyet.** Et verktøy eller en nøkkel som befinner seg i en roterende maskindel kan føre til personskade.
 14. **Ikke overvurder deg selv. Hold godt fotfeste og balanse til enhver tid.** Dette gir deg bedre kontroll over elektroverktøyet i uventede situasjoner.
 15. **Bruk egnede klær. Ikke bruk vide klær eller smykker. Hold hår, klær og hansker unna bevegelige deler.** Løse klær, smykker eller langt hår kan sette seg fast i bevegelige deler.
 16. **Hvis det følger med utstyr for tilkobling av støvoppsamlingsinnretninger, må disse kobles og brukes riktig.** Bruk av støvoppsamler kan redusere støvrelaterte farer.
- ### **Bruk og pleie av elektroverktøy**
17. **Ikke overbelast elektroverktøyet. Bruk riktig verktøy til det arbeidet som skal utføres.** Riktig elektroverktøy vil gjøre jobben bedre og sikrere med den hastigheten det er beregnet til.
 18. **Ikke bruk elektroverktøyet dersom strømbryteren ikke fungerer.** Et elektroverktøy som ikke kan kontrolleres med bryteren er farlig og må repareres.
 19. **Trekk støpselet ut av stikkkontakten og/eller fjern batteriet fra maskinen før du foretar noen justeringer, skifter tilbehørsdeler eller legger fra deg maskinen.** En slik forholdsregel reduserer risikoen for at elektroverktøyet startes utilsikket.
 20. **Oppbevar elektroverktøyet utilgjengelig for barn og personer som ikke er kjent med verktøyet eller disse betjeningsinstruksjonene.** Elektroverktøy er farlige i hendene på uerfarne personer.
 21. **Vedlikehold elektroverktøy. Kontroller justeringen av bevegelige deler, brudd på deler og andre forhold som kan påvirke maskinens funksjon. Sørg for at skadede deler repareres før bruk.** Mange ulykker er forårsaket av dårlig vedlikeholdte verktøy.

22. **Hold skjæreverktøy skarpe og rene.** Ved riktig vedlikehold av skjæreverktøy med skarpe kanter er det mindre risiko for at de kjører seg fast, og de er lettere å kontrollere.
23. **Bruk elektroverktøy, tilbehør, verktøydeler osv. i samsvar med disse instruksjonene, og ta hensyn til arbeidsforholdene og arbeidet som skal utføres.** Bruk av elektroverktøy til andre formål enn det som er angitt kan føre til farlige situasjoner.

Bruk og pleie av batteri

24. **Lad kun med laderen spesifisert av produsenten.** En lader som passer for én type batteri kan utgjøre en brannfare ved bruk med en annen batteritype.
25. **Bruk elektroverktøy kun med batterier som er laget for det.** Bruk av andre batterier kan medføre fare for brann og personskade.
26. **Når batteriet ikke er i bruk, hold det unna andre metallobjekter som for eksempel binders, mynter, nøkler, spiker, skruer og andre små metallobjekter som kan skape en forbindelse fra en kontakt til den andre.** Kortslutning av batterikontaktene kan føre til brannskade eller brann.
27. **Ved hardhendt behandling kan væske slippes ut fra batteriet, unngå kontakt med den. Hvis du kommer i kontakt med den, skyl med vann. Hvis væske kommer i kontakt med øynene, ta kontakt med lege.** Væske som kommer ut fra batteriet kan føre til iritasjon eller brannskade.

Service

28. **Service skal utføres av en kvalifisert reparatør som kun bruker identiske reservedeler.** Dette vil sikre at sikkerheten til produktet ivaretas.
29. **Følg instruksjonen for smøring og bytte av tilbehør.**
30. **Hold håndtakene tørre, rene og frie for olje og fett.**

SIKKERHETSADVARSLER FOR BATTERIDREVT STÅLRØRKUTTER

1. **Hold i verktøyet på en sikker måte når det er i bruk.** Hvis verktøyet ikke holdes på en sikker måte, kan du skade deg.
2. **Hold hender og ansikt unna bevegelige deler.** De kan forårsake skade.
3. **Slipp startbryteren umiddelbart for å stoppe driften når verktøyet er i stand eller lager unormale lyder ved bruk. Få det kontrollert og reparert av et autorisert serviceverksted.** Unnlattelse av å gjøre det kan resultere i skader eller personskader.
4. **Hvis du mister verktøyet eller slår på det, sjekk nøye at det ikke er skadet, sprukket eller deformert.** Slike skader kan forårsake personskade.
5. **Dette verktøyet er et elektro-hydraulisk verktøy. Oljebeholderen ble fylt før levering. Ikke tilsett olje med mindre verktøyet opererer unormalt.**
6. **Metallknivene har skarpe blader.** Håndter dem forsiktig for ikke å skjære deg.

7. **Skadede, deformerte eller sprukne kniver kan forårsake alvorlige ulykker samt forringe driften av verktøyet.** Skift ut med nye originale blader umiddelbart.

TA GODT VARE PÅ DENNE HÅNDBOKEN.

⚠ ADVARSEL:

IKKE la komfort eller fortrolighet med produktet (fra gjentatt bruk) komme i veien for streng overholdelse av sikkerhetsreglene for produktet. MISBRUK eller unnlattelse av å følge sikkerhetsreglene som er angitt i denne bruksanvisningen kan føre til alvorlig personskade.

VIKTIGE SIKKERHETSINSTRUKSJONER FOR BATTERIET

1. **Før du bruker batteriet, les alle instruksjonene og advarslene på (1) batteriladeren, (2) batteriet og (3) produktet.**
2. **Batteriet må ikke demonteres.**
3. **Hvis batteritiden har blitt betydelig kortere, stopp bruk umiddelbart.** Det kan føre til risiko for overoppheting, brannskade og til og med en eksplosjon.
4. **Hvis du får elektrolytt i øynene, skyl med rent vann og ta umiddelbart kontakt med lege.** Det kan føre til blindhet.
5. **Ikke kortslett batteriet:**
 - (1) **Ikke rør batterikontaktene med ledende materialer.**
 - (2) **Unngå å lagre batteriet i en beholder med andre metallobjekter som spiker, mynter osv.**
 - (3) **Ikke utsett batteriet for vann eller regn**
Et kortslettet batteri kan føre til kraftig strøm, overoppheting, brannskade og til og med feil på apparatet.
6. **Apparatet og batteriet må ikke lagres på steder der temperaturen kan gå over 50°C.**
7. **Ikke brenn batteriet selv om det er veldig skadet eller helt utslitt.** Batteriet kan eksplodere i brann.
8. **Pass på at du ikke mister eller treffer batteriet.**
9. **Du må ikke bruke et skadet batteri.**
10. **Følg de lokale forskriftene om avhending av batteriet.**

TA GODT VARE PÅ DENNE HÅNDBOKEN.

Tips for å beholde maksimal batterilevetid

1. **Lad batteriet før det er helt tomt.** Stopp alltid bruk av verktøyet og lad batteriet når du legger merke til at kraften er redusert.
2. **Du må aldri lade et batteri som er helt fulladet.** Overlading reduserer batterilevetiden.
3. **Lad batteriet i romtemperatur på 10°C - 40°C.** La et varmt batteri kjøles ned før du lader det.

4. Lad batteriet én gang hver sjette måned hvis du ikke bruker det i en lang tidsperiode.

FUNKSJONSBESKRIVELSE

⚠ FORSIKTIG:

- Pass alltid på at verktøyet er avslått og batteriet tatt ut før du justerer eller kontrollerer funksjonen til apparatet.

Sette inn eller ta ut batteriet (fig. 1)

⚠ FORSIKTIG:

- Slå alltid av verktøyet før du setter inn eller tar ut batteriet.
- Hold verktøyet og batteriet godt fast når du installerer eller fjerner batteriet. Dersom du ikke holder verktøyet og batteriet godt fast, kan du miste grepet og påføre skade på verktøyet og batteriet, samt pådra deg personskader.

For å ta ut batteriet, skyv det fra verktøyet mens du skyver på knappen foran på batteriet.

For å sette i batteriet, juster fliken på batteriet så det passer inn i sporet på kabinetet og glir på plass. Sett det helt inn til det klikker på plass. Hvis du kan se en rød indikator på øvre side av knappen, er det ikke helt låst på plass.

⚠ FORSIKTIG:

- Sett alltid inn batteriet helt til du ikke lenger kan se den røde indikatoren. Hvis ikke, kan det falle ut av verktøyet og skade deg eller noen andre rundt deg.
- Ikke tving batteriet på plass med makt. Hvis det ikke glir lett på plass, settes det ikke inn riktig.

Batteribeskyttelsessystem (Litium-ion-batteri med stjernemerke) (fig. 2)

Litium-ion-batterier med et stjernemerke er utstyrt med et beskyttelsessystem. Systemet slår automatisk av strømmen til verktøyet for å forlenge batterilevetiden. Verktøyet vil stoppe automatisk under bruk hvis apparatet og/eller batteriet utsettes for følgende:

- Overbelastning:
Verktøyet brukes på en måte som får det til å trekke unormalt mye strøm.
I denne situasjonen må du slippe startbryteren på verktøyet og stanse bruken som førte til at verktøyet ble overbelastet. Trykk inn startbryteren igjen for å starte på nytt.
Hvis verktøyet ikke starter, er batteriet overopphetet. I denne situasjonen må du la batteriet kjøle seg ned før du trykker inn startbryteren igjen.
- Lav batterispennning:
Gjenværende batterikapasitet er for liten og verktøyet vil ikke fungere. I denne situasjonen, ta ut og lad batteriet.

BETJENINGSMÅTE

Les, forstå og følg alle sikkerhetsinstruksjoner og driftsprosedyrer. Hvis du ikke forstår instruksjonene, eller dersom forholdene ikke egner seg for forsvarlig drift, ikke bruk dette verktøyet. Rådfør deg med din overordnede eller annen ansvarlig person.

⚠ ADVARSEL:

- Før du setter batteriet inn i verktøyet, trykk inn og slipp startbryteren for å sikre at den returnerer når den slippes.

Motoren er på når startbryteren er trykket inn, og av når du har sluppet startbryteren.

Betjening av bryterlåsen (fig. 3)

- Trykk inn bryterlåsen på side A. Låsen er åpnet, og startbryteren kan betjenes.
- Trykk inn bryterlåsen på side B. Låsen er aktivert, og startbryteren kan ikke betjenes.

⚠ FORSIKTIG:

- Startbryteren skal være låst til enhver tid når verktøyet ikke er i bruk.

⚠ ADVARSEL:

- Forsikre deg om at plasseringen av operatøren i forhold til verktøyet, og området rundt er sikkert før bruk. Ta på vernebriller og bruk vernebekledning.
- Det henvises til verktøyspesifikasjonene i denne manualen. Ikke kutt armeringsjern med størrelse og hardhet som overstiger skjærekapasiteten til verktøyet.
- Ikke skjær i annet enn armeringsjern. Forhør deg med produsenten hvis du ønsker å skjære i andre materialer.

⚠ ADVARSEL:

- Skift skadede (sprukne eller ødelagte) eller deformerte blader umiddelbart. Bladet vil ikke kutte rett, og kan sprekke eller brette og forårsake alvorlig personskade.

Skjæreprosedyre

⚠ ADVARSEL:

- Verktøyet skal aldri brukes uten vernet. Unnlattelse av å gjøre det kan resultere i alvorlig personskade. (fig. 4)

1. Plasser armeringsjernet som skal kuttes mellom bladene. (fig. 5)

Juster sperren (DSC162) eller festebolten (DSC191) i henhold til diameteren på armeringsjernet som skal kuttes, slik at armeringsjernet er i 90 graders vinkel til bladene. Sperren (DSC162) eller festebolten (DSC191) holder armeringsjernet på plass, og holder det vinkelrett på bladene når du skjærer. (fig. 6)

⚠ ADVARSEL:

- Når du kutter armeringsjernet, juster sperren (DSC162) eller festebolten (DSC191) i henhold til diameteren på armeringsjernet som skal kuttes, slik at armeringsjernet er i 90 graders vinkel til bladene. Uten denne justeringen kan den avkappede delen ryke og forårsake alvorlig skade på brukeren eller personer i nærheten. Pass på alltid å kontrollere posisjonen av operatøren i forhold til verktøyet, og bekreft sikkerheten til brukeren og omgivelsene.
2. Plasser armeringsjernet som skal kuttes slik at det ligger helt mellom bladene. (fig. 7)

⚠ ADVARSEL:

- Hvis armeringsjernet som skal kuttes ikke er plassert helt mellom bladene, vil bladene bli skadet, armeringsjernet vil bli kastet ut med stor kraft, og kan forårsake alvorlige personskader.

⚠ ADVARSEL:

- Ikke kutt armeringsjern når stykket som skal kuttes er mindre enn 200 mm i lengde. Hvis du kutter kortere lengder, kan det føre til at armeringsjernet ryker mens du kutter, hvilket kan resultere i alvorlig personskade. (fig. 8)

⚠ ADVARSEL:

- Ikke kutt armeringsjern når det ikke holdes ordentlig på plass av sperren (DSC162) eller festebolten (DSC191). Når du kutter, hold jernet på sperren (DSC162) eller festeboltens (DSC191) side (fig. 9). Hvis ikke, kan den avkappede delen ryke og forårsake alvorlig skade på brukeren eller personer i nærheten.
3. Trykk inn bryterlåsen på side A. Låsen er åpnet, og startbryteren kan betjenes.
 4. Trykk på startbryteren for å starte skjæringen. Kuttetangen vil flytte seg frem og kappe armeringsjernet. Hold bryteren nede til rørkutteren stopper bevegelsen.
 5. Slipp startbryteren når kappingen er fullført, og rørkutteren har fullført slaget. Rørkutteren vil da automatisk gå tilbake til utgangsposisjonen. Rørkutteren vil ikke gå tilbake hvis slaget ikke er fullført. Tilsvarende vil heller ikke rørkutteren være i stand til å bevege seg fremover igjen før den har returnert helt tilbake til startposisjonen. Trykk på bryteren for å starte neste kutt, men bare etter at rørkutteren er helt tilbake til startposisjonen og har stoppet.

⚠ ADVARSEL:

- Når du kutter armeringsjern med høy strekkfasthet, kan avkappede deler fly av sted og forårsake alvorlig skade på brukeren. Bruk vernebriller og sørg for at området er trygt før du begynner. (fig. 10)

⚠ ADVARSEL:

- Hold hender og ansikt borte fra bladene, de bevegelige delene og skjærområdet når du bruker verktøyet. Ta ut batteriet fra verktøyet rett etter bruk.

MERK:

- Hold lufthullet i enden av stangholderen rent for smuss og materialrester. Lufthullet styrer det indre trykket og må ikke tettes igjen. (fig. 11)

Reserveblad størrelse

Modell	A (passer til stangholder)	B (passer til rørkutter)
DSC162 (ø3 - ø16)	22 × 17 × 9 mm (Boltstørrelse 5 mm)	22 × 17 × 8 mm (Boltstørrelse 5 mm)
DSC191 (ø3 - ø20)	28 × 20 × 11,5 mm (Boltstørrelse 6 mm)	26 × 20 × 10 mm (Boltstørrelse 5 mm)

MERK:

- Bruk bare originale Makita-blader.

Motorens roterende funksjon (fig. 12)

Motorkroppen kan dreies 360 grader, i begge retninger, under drift. Denne funksjonen er spesielt nyttig når du arbeider i vanskelige eller trange områder, da det gjør det mulig å plassere verktøyet i best mulig posisjon for enkel betjening.

Betjening av returventilen (fig. 13)

Funksjonen til returventilen er å sørge for at rørkutteren går tilbake til startposisjonen hvis den er ute av stand til å fullføre et kutt eller kjører seg fast. Den vil frigjøre oljetrykket slik at rørkutteren går tilbake. Stram returventilen når rørkutteren er helt tilbake og før du starter på nytt.

UTSKIFTING AV BLADER

Hvis knivbladene er sprukket, deformert eller skadet på noen måte, vil kutteevnen bli redusert. Kutting under slike forhold kan føre til ytterligere skade og føre til personskade. Hele settet med blader bør byttes ut umiddelbart hvis det oppdages skader.

⚠ ADVARSEL:

- Når du skifter blader, sørg for at batteriet er fjernet fra verktøyet for å forhindre utilsiktet bruk.

Sørg for at blad A på stangholderen og blad B på rørkutteren er montert i riktig posisjon. (fig. 14)

1. Løsne boltene og skivene som holder blad A og blad B.
2. Fjern smuss og rengjør overflatene der de nye bladene skal monteres.
3. Monter blad A på stangholderen og blad B på rørkutteren. Skift bolter og skiver og stram godt.

⚠ ADVARSEL:

- Boltene som holder blad A og blad B bør strammes regelmessig. Hvis boltene løsner, kan bladene bli skadet og kan forårsake personskade.

Type reserveblad og hvordan man løsner det (fig. 15)

Sikringsbolter bør være strammet godt.

Sjekk med jevne mellomrom at bladet er skrudd ordentlig til.

- Bruk denne tabellen til å finne riktig blader til din modell.

FYLLE OLJE

Denne batteridrevne armeringsjernkutteren er elektro-hydraulisk. Da den ble sendt fra fabrikkene, ble den fylt med olje. Ikke fyll på mer olje så lenge verktøyet fungerer som det skal. Over en tidsperiode oljenivået vil gradvis gå ned. Etterhvert vil dette føre til en merkbart lavere ytelse. Når dette skjer, tilsett olje som følger.

1. Plasser noe armeringsjern mellom bladene og trykk på startbryteren.
2. Slipp startbryteren like før kuttet er gjennomført for å stoppe verktøyet.
3. Ta ut batteriet fra verktøyet, slik at knivene ikke kan bevege seg utilsiktet.
4. Fjern boltene (SB10x15) som dekker oljefilterhullet. Fyll på olje, og vær forsiktig slik at det ikke kommer olje inn i motoren.
5. Skift bolt (SB10x15) og stram godt.
6. Sett batteriet inn i verktøyet igjen og fullfør skjæreoperasjonen.
7. Gjenta prosedyren ovenfor flere ganger frem til oljenivået er korrekt.

FORSIKTIG:

- Bare ren hydraulikkolje som er anbefalt av Makita & Company Ltd bør brukes i dette verktøyet. Anbefalte oljer inkluderer hydraulikkolje fra Makita, Super Hyrando #46 (JX Nippon Oil & Energy Corp), Shell Tellus Plus #46 (U.S. Shell), eller tilsvarende type anti-slitasjehydraulikkolje med en ISO-viskositet på 46. Ikke bruk andre oljer da disse kan forårsake skade på pakninger og andre interne maskindeler.

FEILSØKING

⚠ ADVARSEL:

- Fjern batteriet før du utfører arbeid på maskinen.

PROBLEM	ÅRSAK	LØSNING
Rørkutteren flytter seg ikke.	For lite olje	Fyll på olje (Se "Fyll olje")
	Rørkutteren har ikke dratt seg helt tilbake på grunn av ansamling av materialrester mellom rørkutteren og stangholderen.	Dytt tilbake rørkutteren manuelt. Fjern materialrester og rengjør
	Rørkutteren har ikke dratt seg helt tilbake på grunn av skade på rørkutteren.	Skift rørkutter.
	Rørkutteren har ikke dratt seg helt tilbake på grunn av løse eller skadede blader.	Stram boltene til bladene. Skift blader
	Rørkutteren har ikke dratt seg helt tilbake på grunn av svak retur fjær.	Skift retur fjær.
Utilstrekkelig kraft til å skjære armeringsjern.	For lite olje.	Fyll på olje (Se "Fyll olje")
	Returventil ikke ordentlig plassert eller skadet på festet.	Rengjør tuppen av returventilen og festet. Fjern eventuelle riper fra festet.
	Returventil skadet.	Skift.
	Feil klaring mellom sylinder og stempel.	Skift stempel (OBS: ulike størrelser på stempler er tilgjengelige)
	Tilbakeslagsventil ikke ordentlig plassert eller skadet på festet.	Rengjør tilbakeslagsventil og festet. Skift.
	Uretanpakke skadet eller ødelagt.	Skift.
Oljelekkasje.	Oljenivåmåler skadet eller ødelagt.	Skift.
	Rørkutter/stangholder, O-ring skadet, riper eller sporer i holderen.	Skift backup-ring og O-ring. Skift rørkutter/stangholder
	Sylinder/stangholder, O-ring skadet	Skift O-ring.
	Sylinder/pumpehus, pakning skadet.	Skift pose B.
	Rørkutter/sylinder/pumpehus, flensforbindelsesskruer løse.	Stram boltene.
Motoren er ikke i bevegelse. Motor treg eller uberegnelig.	Spenningsfeil.	Lad batteriet.
	Batteriet nærmer seg slutten av levetiden.	Skift batteri.
	Magnetmotor skadet av overoppheting.	Skift magnetmotor.
	Magnetmotorlagre eller gir skadet eller ødelagt.	Skift motorlagre eller gir.

MERK:

- De indre komponentene i pumpen og stempelområdet har svært små toleranser, og er følsomme for skader som følge av støv, smuss, forurensning i hydraulikkvæsken eller feilaktig håndtering. Demontering av pumpehuset krever spesialverktøy og opplæring, og bør bare gjøres av kvalifisert reparasjonspersonell med adekvat opplæring og riktige verktøy. Feilaktig vedlikehold av elektriske komponenter kan føre til tilstander som kan forårsake alvorlige skader. Pumpen, stempelkomponenter og alle elektriske deler skal kun repareres av autorisert verksted, forhandler eller distributør.

VEDLIKEHOLD

⚠ FORSIKTIG:

- Pass alltid på at verktøyet er avslått og batteriet tatt ut før du utfører kontroll eller vedlikehold
- Aldri bruk bensin, benzen, tynner, alkohol eller lignende. Misfarging, deformering eller sprekker kan oppstå.

Skifte kullbørster (fig. 16)

Skift når de slites ned til grensemerket. Hold kullbørstene rene og frie slik at de glir ned i holderne. Begge kullbørstene bør byttes samtidig. Bruk kun identiske kullbørster.

Bruk en skrutrekker til å fjerne to skruer og ta deretter av bakdekselet. (fig. 17)

Hev armdelen av fjæren og plasser den deretter i det nedsenkede delen av huset med en flat skrutrekker med slankt skaft eller lignende. (fig. 18)

Bruk tang for å fjerne kullbørstehettene fra kullbørstene. Ta ut de slitte kullbørstene, sett inn de nye og erstatt kullbørstehettene i motsatt rekkefølge. (fig. 19)

Pass på at kullbørstehettene passer inn i hullene i børsteholderen. (fig. 20)

Sett på bakdekselet og stram de to skruene godt. For at SIKKERHETEN og PÅLITELIGHETEN til produktet skal ivaretas, skal reparasjoner eller annet vedlikehold eller

justeringer utføres av et Makita-godkjent serviceverksted, som alltid bruker Makita-reservedeler.

VALGFRITT TILLEGGSUTSTYR

FORSIKTIG:

- Dette tilbehøret eller tilleggsutstyret anbefales for bruk med ditt Makita-verktøy som er beskrevet i denne håndboken. Bruk av annet tilleggsutstyr eller munnstykker kan utgjøre en risiko for personskade. Bruk kun tilleggsutstyr eller munnstykker for det tiltenkte formålet.

Hvis du trenger hjelp eller flere opplysning om dette tilleggsutstyret, ta kontakt med ditt lokale Makita Servicesenter.

- Ekte Makita-batteri og -lader

MERK:

- Enkelt av tingene i listen kan være inkludert i verktøypakken som standardutstyr. Dette kan variere fra land til land.

SUOMI (alkuperäiset ohjeet ovat englanninkieliset)

Yleiskuvan selitys

- | | | |
|---------------------|----------------------------|------------------------------|
| 1. Punainen merkki | 13. Pysäytin | 25. Terä A tangonpidikkeessä |
| 2. Painike | 14. Yli 200 mm | 26. Terä B leikkuritangossa |
| 3. Akku | 15. Ilma-aukko | 27. Varaterät |
| 4. Tähtimerkintä | 16. Kuusiokokoavain | 28. Rajamerkki |
| 5. Lukituspainike | 17. Takaiskuventtiili | 29. Takakansi |
| 6. Liipaisinkytkin | 18. Terä A (paksumpi terä) | 30. Ruuvit |
| 7. Puoli A | 19. Terä B (paksumpi terä) | 31. Varsi |
| 8. Puoli B | 20. Pultti (pidempi) | 32. Jousi |
| 9. Suojus | 21. Pultti (lyhyempi) | 33. Uputettu osa |
| 10. Kiinnityspultti | 22. Aluslaatta | 34. Hiilikuituharjan tulppa |
| 11. Raudoitustanko | 23. Tangonpidin | 35. Aukko |
| 12. Terät | 24. Leikkuritanko | |

TEKNISET TIEDOT

Malli	DSC162	DSC191
Maks. leikkuukapasiteetti (halk. mm)		
Aste 40 - aste 60		
Aste 40: Vetolujuus 490 N/mm ² 70 000 PSI	16 mm	20 mm
Aste 60: Vetolujuus 620 N/mm ² 90 000 PSI		
Leikkausnopeus	4,0 sekuntia	6,5 sekuntia
Kokonaispituus	380 mm	412 mm
Nettopaino	6,5 kg	10,5 kg
Nimellisjännite	DC 18V	

- Jatkuvan tutkimus- ja kehitysohjelman vuoksi tässä mainitut tekniset tiedot voivat muuttua ilman edeltävää ilmoitusta.
- Tekniset tiedot ja akkumalli saattavat vaihdella maakohtaisesti.
- Paino akun kanssa perustuen EPTA-menettelyyn 01/2003

Symbolit

Laitteessa käytetään seuraavia symboleja. Varmista, että ymmärrät niiden merkityksen ennen laitteen käyttöä.



..... Lue Käyttöohjeet.



..... Lentävien roskien ja kovan melun vaara.
Käytä kuulosuojaimia ja suojalaseja.



..... Liikkuva terä. Pidä kädet loitolla koneen ollessa käynnissä. Sammuta virta ennen koneen huoltotoimia.



..... Vain EU-valtiot

Älä hävitä sähkölaitteita tai akkuja tavanomaisten kotitalousjätteiden kanssa.

Euroopan unionin direktiivien, koskien sähkö- ja elektroniikkaromua sekä paristoja ja akkuja sekä käytettyjä paristoja ja akkuja, ja direktiivien soveltamista kansallisten lakien mukaisesti, sähkölaitteet, paristot ja akut, joiden käyttöikä on ohi, on kerättävä erillisessä keräyksessä ja toimitettava ympäristövaarallisten jätteiden kierrätyslaitokseen.

Käyttötarkoitus

Työkalu on tarkoitettu raudoitustangon leikkaamiseen.

Melu

Tyypillinen A-painotettu melutaso EN60745 mukaan:

Äänenpainetaso (LpA): 80,5 dB(A)

Äänen tehotaso (LWA): 90,1 dB(A)

Toleranssi (K): 3 dB(A)

Käytettävä kuulosuojaimia

Tärinäarvo

Tärinän kokonaisarvo (kolmiakselinen vektorisumma) määriteltynä standardin EN60745 mukaan:

Työskentelytila: terästangon leikkaaminen

Tärinäaltistus (a_{h1}): enintään 2,5 m/s²

Toleranssi (K): 1,5 m/s²

- Ilmoitettu tärinäaltistusarvo on mitattu vakiotestimenetelmän mukaan ja tulosta voidaan käyttää vertailtaessa työkaluja toisiinsa.
- Ilmoitettua tärinäaltistusarvoa voidaan käyttää myös alustavassa altistusarvioinnissa.

⚠ VAARA:

- Sähkötyökalun käytön aikainen todellinen värinäaaltistus voi poiketa ilmoitetusta arvosta riippuen työkalun käyttötaivoista.
- Riittäviin varotoimiin on ryhdyttävä jotta käyttäjä suojautuu todellisten käyttöolosuhteiden mukaiselta altistukselta (ottaen huomioon kaikki käyttöjakson vaiheet, kuten työkalun sammutusajat ja sen joutokäyntiaika sekä liipaisu aika).

EY-vaatimusten mukaisuusvakuutus

Vain Euroopan maat

EY-vaatimusten mukaisuusvakuutus sisältyy käyttöohjeen Liitteeseen A.

Sähkötyökalujen käyttöä koskevat varoitukset

⚠ VAROITUS Lue kaikki turvallisuutta koskevat varoitukset ja ohjeet. Varoitusten ja ohjeiden noudattamatta jättäminen voi johtaa sähköiskun, tulipaloon ja/tai vakavaan vammautumiseen.

Säilytä varoitukset ja ohjeet tulevaa käyttöä varten.

Varoituksissa mainittu termi sähkötyökalu viittaa sähkövirralla (sähköjohdollinen) käytettyyn sähkötyökaluun tai akkukäyttöiseen (johdottomaan) sähkötyökaluun.

Työskentelyalueen turvallisuus

1. **Pidä työskentelyalue puhtaana ja hyvin valaistuna.** Sotkuiset ja sekaiset sekä pimeät työtilat ovat vaarallisia
2. **Sähkötyökaluja ei saa käyttää räjähdysvaarallisissa tiloissa, esimerkiksi syttyvien nesteiden, kaasujen tai pölyn läheisyydessä.** Sähkötyökaluista syntyy kipinöitä, jotka voivat sytyttää pölyn tai höyryt tuleen.
3. **Pidä lapset ja sivulliset etäällä sähkötyökalua käytettäessä.** Häiriötekijät saattavat aiheuttaa työkalun hallinnan menetyksen.

Sähköturvallisuus

4. **Sähkötyökalujen pistotulppien tulee vastata pistorasiaa. Älä mukauta pistotulppaa millään tavoin. Älä käytä sovittipistotulppia maadoitettujen sähkötyökalujen kanssa.** Muuttamattomat sähkötulpat ja asianmukaiset pistorasiat vähentävät sähköiskun vaaraa.
5. **Vältä keho kosketusta maadoitettuihin pintoihin kuten putkiin, lämpöpattereihin, lämmittimiin ja jääkaappeihin.** Sähköiskun vaara on suurempi, jos kehosi on maadoitettu.
6. **Älä altista sähkötyökaluja sateelle tai märille olosuhteille.** Sähkötyökaluun pääsevä vesi lisää sähköiskun vaaraa.
7. **Älä käytä johtoa väärin. Älä koskaan kannaa konetta johdosta tai vedä johdosta saadaksesi pistotulpan irti syöttöjohdosta. Älä altista johtoa kuumuudelle, öljylle tai teräville reunuille.**

Vahingoittuneet tai kiertyneet johdot lisäävät sähköiskun vaaraa.

8. **Kun käytät sähkötyökalua ulkona, käytä ulkokäyttöön soveltuvaa sähköjohtoa.** Ulkokäyttöön soveltuvan sähköjohdon käyttö vähentää sähköiskun vaaraa.
9. **Jos sähkötyökalun käyttö kosteassa tilassa on välttämätöntä, käytä vikavirtasuojakytkimellä suojattua virtalähdettä.** Vikavirtasuojakytkimen käyttö vähentää sähköiskun vaaraa.

Henkilökohtainen turvallisuus

10. **Pysy valppaana ja katso mitä teet. Käytä tervettä järkeä työskennellessäsi sähkötyökalujen parissa. Älä käytä sähkötyökaluja ollessasi väsynyt, tai huumeiden, alkoholin tai lääkkeiden vaikutuksen alainen.** Huomion hetkellinen herpaantuminen sähkötyökaluja käytettäessä saattaa aiheuttaa vakavan henkilövahingon.
11. **Käytä henkilösuojaimia. Käytä aina suojalaseja.** Suojavarusteet, esimerkiksi hengityssuojaimet, kumipohjaiset turvakengät, suojakypärä tai kuulosuojaimet asianmukaisesti olosuhteiden mukaan käytettyinä vähentävät henkilövahinkoja.
12. **Estä koneen tahaton käynnistys. Varmista, että katkaisija on pois-asennossa ennen kuin liität virtalähteen ja/tai akun, nosta työkalun tai kannat sitä.** Työkalujen kantaminen sormi kytkimellä tai kytkimellä varustettujen sähkötyökalujen kytkeminen virransyöttöön voi aiheuttaa onnettomuuden.
13. **Irrota kaikki säätöavaimet ennen kuin kytket sähkötyökalun päälle.** Sähkötyökalun pyörivän osaan kiinni jätetty säätöavain saattaa aiheuttaa loukkaantumisen.
14. **Älä kurottele. Säilytä kunnollinen jalansija ja tasapaino aina.** Tämän avulla pystyt ohjaamaan työkalua paremmin odottamattomissa tilanteissa.
15. **Pukeudu oikein. Älä pukeudu löysiin vaatteisiin tai käytä irrallisia koruja. Pidä hiukset, vaatus ja käsineet erossa liikkuvista osista.** Löysät vaatteet, irtokorut tai pitkät hiukset voivat juuttua työkalun pyöriin osiin.
16. **Jos laite on varustettu pölynkerääjäliitännällä ja keruuvälineillä, varmista, että ne on liitetty ja niitä käytetään oikein.** Pölynkerääjän käyttö vähentää pölyn aiheuttamia vaaratekijöitä.

Sähkötyökalujen käyttö ja huolto

17. **Älä käytä sähkötyökalua väärään tarkoitukseen. Käytä tehtävään soveltuvaa työkalua.** Työhön oikea sähkötyökalu toimii paremmin ja turvallisemmin sille suunnitellulla nopeudella.
18. **Älä käytä sähkötyökalua, jos kytkimestä ei saa kytkettyä sitä päälle ja pois.** Sähkötyökalu, jota ei voi kytkeä päälle tai pois kytkimestä on vaarallinen ja se on korjattava.
19. **Kytke sähkötyökalun pistotulppa irti virtalähteestä ja/tai akusta ennen kuin teet siihen säätöjä, vaihdat osia tai laitat säilytykseen.** Tällaiset varotoimet vähentävät laitteen vahingossa tapahtuvaa käynnistymistä.

- Säilytä virrallisia käyttämättömiä työkaluja lasten ulottumattomissa äläkä anna sähkötyökaluun tottumattomien tai ohjeita tuntemattomien henkilöiden käyttää sähkötyökalua. Sähkötyökalut ovat vaarallisia kouluttamattomien henkilöiden käsissä.
- Huolla sähkötyökalusi. Tarkista liikkuvat osat vääntymisen tai takertumisen, osien rikkoutumisen tai muun työkalun toimintaan vaikuttavan vian osalta. Jos jokin osa on vahingoittunut, korjauta sähkötyökalu ennen sen käyttöä. Monet onnettomuudet aiheutuvat huonosti huolletuista sähkötyökaluista.
- Pidä leikkaavat työkalut terävinä ja puhtaina. Kunnolla huolletut leikkaavat työkalut, joissa on terävät leikkaavat reunat takertuvat vähemmän kiinni ja niitä on helpompi ohjata.
- Käytä sähkötyökalua, lisävarusteita, paloja jne. näiden ohjeiden mukaisesti ottaen huomioon työskentelyolosuhteet ja suoritettava työtehtävä. Sähkötyökalun käyttö muuhun kuin tarkoitusta vastaavaan käyttöön saattaa aiheuttaa vaaratilanteen.
- Vapauta liipaisinkytkin välittömästi pysäyttääksesi työkalun toiminnan, kun työkalu menee epäkontrolliin tai siitä kuuluu epätavallisia ääniä käytön aikana. Anna valtuutetun huollon tarkistaa ja korjata se. Muussa tapauksessa seurauksena voi olla vahinko tai loukkaantuminen.
- Jos pudotat työkalun tai se iskeytyy johonkin, tarkista huolellisesti ettei sen runko ole vahingoittunut, murtunut tai vääntynyt. Kaikki sellaiset vauriot voivat aiheuttaa loukkaantumisen.
- Työkalu on sähköhydraulinen työkalu. Öljysäiliö on täytetty tehtaalla. Älä lisää öljyä, jollei työkalun toiminnassa ilmene epänormaaliuksia.
- Metalliset leikkuuterät ovat teräväreunaisia. Käsittele niitä varovasti välttääksesi vilttohaavat.
- Vahingoittuneet, vääntyneet tai murtuneet terät voivat aiheuttaa vakavia onnettomuuksia sekä haitata käyttöä. Vaihda välittömästi uusiin aitoihin teriin.

SÄILYTÄ NÄMÄ OHJEET.

⚠ VAARA:

ÄLÄ anna mukavuudenhalun tai tuotteen tuttuuden (joka saavutetaan toistuvalla käytöllä) korvata tässä käsittelyn tuotteen TURVALLISUUSMÄÄRÄYSTEN tarkkaa noudattamista. VÄÄRINKÄYTTÖ tai käyttöohjeissa kuvattujen turvallisuusmääräysten noudattamatta jättäminen saattaa aiheuttaa vakavan loukkaantumisen.

TÄRKEITÄ TURVALLISUUSOHJEITA

AKKU

- Ennen akun käyttöä lue kaikki ohjeet ja varoitusmerkinnät (1) akkulatorista, (2) alusta ja (3) akkua käyttävästä tuotteesta.
- Älä pura akkua.
- Jos käyttöaika lyhenee merkittävästi, lopeta laitteen käyttö heti. Se saattaa aiheuttaa ylikuumentumisen vaaran, palovammojen mahdollisuuden, jopa räjähdyksen.
- Jos elektrolyytinestettä joutuu silmiin, huuhtelee ne puhtaalla vedellä ja hakeudu välittömästi lääkärin hoitoon. Vaarana voi olla näön menetyks.
- Älä aiheuta akkuun oikosulkuja:
 - Älä kosketa päätteisiin millään johtavalla materiaalilla.
 - Vältä akkujen säilyttämistä astiassa muiden metalliesineiden, kuten nauhojen, kolikoiden jne., kanssa.
 - Älä altista akkua vedelle tai sateelle. Akun oikosulku saattaa aiheuttaa suuren virtavuodon, ylikuumentumisen, palovammojen mahdollisuuden ja jopa rikkoutumisen.
- Älä säilytä työkalua ja akkua tiloissa, joissa lämpötila saattaa nousta 50 °C tai yli sen.
- Älä polta akkua, vaikka se olisi pahasti vahingoittunut tai kokonaan loppuun kulunut. Akku saattaa räjähtää tullessa.

Akkutyökalujen käyttö ja huolto

- Lataa akku vain valmistajan määrittämällä laturilla. Tietyille akuille sovelias laturi saattaa muodostaa palovaaran, jos sitä käytetään toisenlaisen akun kanssa.
- Käytä sähkötyökaluja vain nimenomaan niille määritettyjen akkujen kanssa. Toisenlaisen akun käyttö saattaa aiheuttaa loukkaantumisvaaran tai tulipalon.
- Kun akku ei ole käytössä, säilytä se erossa muista metalliesineistä, kuten paperiliittimistä, kolikoista, avaimista, nauloista, ruuveista tai muista pienistä metalliesineistä, jotka saattavat muodostaa kytkennän napojen välillä. Akkuliitäntöjen välinen oikosulku saattaa aiheuttaa palovammaa tai tulipalon.
- Väärinkäytettynä akusta saattaa valua nestettä. Varo kosketusta sen kanssa. Jos kosketus tapahtuu vahingossa, huuhtelee vedellä. Jos nestettä joutuu silmiin hakeudu silmien huolellisen huuhtelun jälkeen lääkärin hoitoon. Akusta levinnyt neste saattaa aiheuttaa ärsytystä tai palovammoja.

Huolto

- Anna sähkötyökalun huolto pätevän, vain alkuperäisiä varaosia käyttävän huollon suorittavaksi. Tällä varmistetaan huolletun työkalun turvallisuuden säilyminen.
- Noudata voitelun ja varusteiden vaihtamisen ohjeita.
- Pidä kahvat kuivina, puhtaina ja vapaina öljystä ja rasvasta,

AKKUHARJATERÄSLEIKKURIN TURVALLISUUSVAROITUKSET

- Pidä työkalusta tukevasti kiinni sen ollessa käytössä. Jos työkalusta ei pidetä kunnolla kiinni, saatat loukkaantua.
- Pidä kätesi ja kasvosasi erossa liikkuvista osista. Seurauksena voi olla loukkaantuminen.

8. Ole varovainen, ettei pudota akkua tai kohdistaa siihen iskuja.
9. Älä käytä rikkoutunutta akkua.
10. Noudata paikallisia määräyksiä koskien akun hävittämistä.

SÄILYTÄ NÄMÄ OHJEET.

Vihjeitä akun käyttöön pidentämiseen

1. Lataa akku, ennen kuin se on kokonaan tyhjentynyt.
Lopeta aina työkalun käyttö ja lataa akku, kun havaitset työkalun tehon heikentyvän.
2. Älä lataa täyteen ladattua akkua.
Yliilataaminen lyhentää akun käyttöikää.
3. Lataa akku huonelämpötilassa 10 °C - 40 °C. Anna kuuman akun jäähtyä, ennen kuin lataat sen.
4. Lataa akku kuuden kuukauden välein, jollet käytä sitä pitkään aikaan.

TOIMINNALLINEN KUVAUS

⚠️ HUOMIO:

- Varmista aina, että laite on sammutettu ja akku on irrotettu, ennen kuin teet laitteeseen säätöjä tai tarkastat sen toimintoja.

Akun asentaminen tai irrottaminen (kuva 1)

⚠️ HUOMIO:

- Kytke työkalu aina pois päältä ennen akun asentamista tai sen irrottamista.
- Pidä kiinni työkalusta ja akusta kunnolla, kun asennat akun tai irrotat sen. Jollet pidä kiinni työkalusta ja akusta kunnolla, ne saattavat pudota käsistäsi. Se voi aiheuttaa vahinkoja työkalulle ja akulle sekä loukkaantumisen.

Irrota akku liu'uttamalla se irti työkalusta samalla, kun siirrä painiketta akun edessä.

Asenna akku kohdistamalla akun liuska kotelon uran kanssa ja aseta akku paikoilleen. Aseta se koko matkalta paikoilleen kunnes akku lokahtaa kiinni ja kuuluu pieni naksaus. Jos näet punaisen merkin painikkeen yläpuolella, akku ei ole lukittunut kokonaisuudessaan.

⚠️ HUOMIO:

- Asenna akku aina kokonaan siten, ettei punaista merkkiä voi nähdä. Jollet tee niin, akku voi vahingossa pudota laitteesta ja aiheuttaa sinun tai jonkun lähellä olevan loukkaantumisen.
- Älä asenna akkua väkisin. Jos akku ei liu'u paikoilleen helposti, sitä ei aseteta oikein.

Akun suojajärjestelmä (litium-ioniakku, jossa on tähtimerkintä) (kuva 2)

Tähtimerkityt litium-ioniakut ovat varustettu suojajärjestelmällä. Järjestelmä kytkee virran automaattisesti pois työkalusta, jotta akun käyttöikä pitenee.

Työkalu pysähtyy automaattisesti käytön aikana, jos työkalu ja/tai akku joutuvat johonkin seuraavista olosuhteista:

- Ylikuormitus:
Työkalua käytetään tavalla, jonka vuoksi se kuluttaa epätavallisen paljon virtaa.
Vapauta tällaisessa tilanteessa työkalun liipaisinkytkin ja sammuta sovellus, joka aiheutti työkalun ylikuormittamisen. Käynnistä työkalu sitten uudelleen vetämällä liipaisinkytkimestä.
Jollei työkalu käynnisty, akku on ylikuumentunut.
Anna akun tässä tapauksessa jäähtyä ennen liipaisinkytkimen vetämistä uudelleen.
- Alhainen akkujännite:
Jäljellä oleva akkukapasiteetti on liian alhainen eikä työkalu toimi. Irrota akku tällaisessa tilanteessa ja lataa se täyteen.

KÄYTTÖ

Lue, omaksu ja noudata kaikkia turvallisuusohjeita ja käyttöohjeita. Jollet ymmärrä ohjeita tai jos olosuhteet eivät ole sopivat työkalun käytölle, älä käytä työkalua. Keskustele esimiehesi tai muun vastaavan kanssa.

⚠️ VAARA:

- Vedä liipaisinkytkimestä ja vapauta sen, ennen kuin akku asetetaan työkaluun, jotta varmistetaan kytkimen palautuminen vapautettaessa.

Moottori on käynnissä, kun liipaisinkytkin vedetään päälle ja sammuu, kun liipaisinkytkin vapautetaan.

Kytkinlukon toiminta (kuva 3)

- Paina kytkinlukkoa sivulla A. Kytkin aukeaa ja liipaisinta voi käyttää.
- Paina kytkinlukkoa sivulla B. Kytkin lukittuu eikä liipaisinta voi käyttää.

⚠️ HUOMIO:

- Liipaisinkytkimen tulee olla aina lukittuna, kun se ei ole käytössä.

⚠️ VAARA:

- Varmista ennen käyttöä, että käyttäjän asento suhteessa työkaluun ja ympäröivään alueeseen on työskentelyn kannalta turvallinen. Pue suojalasit ja käytä suojavaatetusta.
- Katso tarkemmat tiedot tämän käyttöohjeiden teknisistä tiedoista äläkä leikkaa terästankoa, jonka koko tai kovuus ylittää työkalun leikkauskapasiteetin.
- Älä leikkaa työkalulla muuta materiaalia kuin terästankoa. Kysy ohjeita valmistajalta, jos haluat käyttää työkalua muiden materiaalien leikkaamiseen.

⚠️ VAARA:

- Vaihda rikkoutuneet (murtuneet, katkenneet, haljenneet) tai vääntyneet terät välittömästi. Terä ei leikkaa oikein ja saattaa murtua tai katketa ja aiheuttaa vakavan loukkaantumisen.

Leikkaustoimenpide

VAARA

- Älä käytä työkalua ilman suojuksen paikoillaan oloa. Ohjeen noudattamatta jättäminen saattaa aiheuttaa vakavan loukkaantumisen. **(kuva 4)**
1. Aseta leikattava terästanko terien väliin. **(kuva 5)** Säädä pysäytin (DSC162) tai pitopultti (DSC191) leikattavan terästangon halkaisijan mukaan, siten että terästanko on 90 asteen kulmassa teriin nähden. Pysäytin (DSC162) tai pitopultti (DSC191) tukee terästankoa ja pitää sen leikattaessa kohtisuorassa teriin nähden. **(kuva 6)**

VAARA

- Säädä terästankoa leikattaessa pysäytin (DSC162) tai pitopultti (DSC191) leikattavan terästangon halkaisijan mukaan, siten että terästanko on 90 asteen kulmassa teriin nähden. Ilman säätöä leikattava kappale voi singota pois ja aiheuttaa käyttäjän tai sivullisen vakavan loukkaantumisen. Älä jätä tarkistamatta käyttäjän sijaintia suhteessa työkaluun ja varmista käyttäjän ja ympäristön turvallisuus.
2. Sijoita leikattava terästanko siten, että se on kokonaan terien välissä. **(kuva 7)**

VAARA

- Jos leikattavaa terästankoa ei ole kokonaan asetettu terien väliin, terät vahingoittuvat ja terästanko irtoaa voimalla ja saattaa aiheuttaa vakavan loukkaantumisen.

VAARA

- Älä leikkaa terästankoa, kun leikattava pala on pituudeltaan alle 200 mm. Lyhyemmän terästankopalan leikkaaminen saattaa aiheuttaa terästangon sinkoutumisen ja aiheuttaa vakavan loukkaantumisen. **(kuva 8)**

VAARA

- Älä leikkaa terästankoa, kun pysäytin (DSC162) tai pitopultti (DSC191) ei tue sitä kunnolla. Pidä terästanko leikattaessa pysäyttimen (DSC162) tai pitopultin (DSC191) puolella, kuten. **(kuva 9)** Jollet noudata ohjetta, leikattava kappale voi singota pois ja aiheuttaa käyttäjän tai sivullisen vakavan loukkaantumisen.
3. Paina kytkinlukkoa sivulla A. Kytkin avautuu ja liipaisinta voi käyttää.
 4. Aloita leikkaaminen painamalla liipaisinkytkintä. Leikkuritanko siirtyy eteenpäin ja leikkaa terästangon. Pidä kytkintä painettuna kunnes leikkuritanko pysähtyy liikkeen päättyessä.
 5. Vapauta liipaisinkytkin, kun leikkuu on valmis ja leikkuritanko on saavuttanut liikkeen lopun. Leikkuritanko palautuu sen jälkeen automaattisesti aloitusasentoonsa. Leikkuritanko ei palaudu, jos liikettä ei suoriteta kokonaan. Vastaavasti leikkuritanko ei voi liikkua uudelleen eteenpäin, ennen kuin se palautuu kokonaan aloitusasentoonsa. Paina kytkintä ja aloita seuraava leikkaus vasta, kun leikkuritanko on palautunut kokonaan aloitusasentoonsa ja pysähtynyt.

VAARA

- Kun leikataan suuren vetolujuuden omaavaa terästankoa, leikkauskappale saattaa singota irti ja aiheuttaa käyttäjän vakavan loukkaantumisen. Käytä

suojalaseja ja varmista että ympäröivä tila on turvallinen ennen kuin aloitat käytön. **(kuva 10)**

VAARA

- Pidä kätesi ja kasvossi erossa teristä, liikkuvista osista ja leikkausalueesta käytön aikana. Irrota akku työkalusta välittömästi käytön jälkeen.

HUOMAA:

- Pidä ilma-aukko tankopidikkeen päässä puhtaana liasta ja jäämistä. Ilma-aukko ohjaa sisäistä painetta ei se saa tukkeutua. **(kuva 11)**

Moottorin pyörimistoiminto (kuva 12)

Moottorin runkoo voi pyörittää 360 astetta jompaankumpaan suuntaan käytön aikana. Tästä ominaisuudesta on erityisesti etua kun työskennellään hankalissa tai ahtaissa tiloissa, sillä käyttäjä voi silloin asettaa työkalun parhaaseen asentoon helposti käytettäväksi.

Takaiskuventtiilin toiminta (kuva 13)

Takaiskuventtiilin toiminnan tarkoitus on palauttaa leikkuritanko takaisin aloitusasentoon, jollei leikkausta saada suoritetta tai leikkuritanko jumittuu. Tämä vapauttaa oljynpaineen ja antaa leikkuritangon palautua. Kiristä takaiskuventtiili takaisin kiinni kun leikkuritanko on kokonaan palautunut ja ennen seuraavan toimenpiteen aloittamista.

TERIEN VAIHTOTOIMENPIDE

Jos terien leikkaavat reunat ovat lohkeilleet, murtuneet, vääntyneet tai vahingoittuneet millään tavoin, niiden leikkaavuus heikkenee. Sellaisissa olosuhteissa leikkaaminen voi aiheuttaa lisävahinkoja ja aiheuttaa loukkaantumisen. Terät tulee vaihtaa sarjana välittömästi, jos huomataan vaurioita.

VAARA

- Varmista teriä vaihtaessasi, että akku on irrotettu työkalusta estääksesi vahingossa tapahtuvan käynnistyksen.

Varmista, että terä A, tangonpidikkeessä ja terä B, leikkuritangossa, ovat molemmat kiinnitetty oikeisiin asentoihinsa. **(kuva 14)**

1. Avaa pultit ja aluslaatat, jotka pitävät terää A ja terää B paikoillaan.
2. Poista lika ja puhdista pinnat joihin uudet terät kiinnitetään.
3. Kiinnitä terä A tankopidikkeeseen ja terä B leikkuritankoon. Laita pultit ja aluslaatat takaisin ja kiristä kunnolla.

VAARA

- Terää A ja terää B kiinnittävät pultit tulee kiristää säännöllisesti. Jos pultit löystyvät, terät saattavat vahingoittua ja aiheuttaa loukkaantumisen.

Varaterien tyyppi ja irrottaminen (kuva 15)

Kiinnityspultit tulee kiristää kunnolla.

Varmista säännöllisesti, että terä on kiristetty kunnolla.

Varaterän koko

● Käytä taulukkoa apuna etsiessäsi malliisi sopivaa oikeaa terää.

Malli	A (kiinnitetty tangonpidikkeeseen)	B (kiinnitetty leikkuritankoon)
DSC162 (ø3 - ø16)	22 × 17 × 9 mm (pulttikoko 5 mm)	22 × 17 × 8 mm (pulttikoko 5 mm)
DSC191 (ø3 - ø20)	28 × 20 × 11,5 mm (pulttikoko 6 mm)	26 × 20 × 10 mm (pulttikoko 5 mm)

HUOMAA:

- Käytä vain aitoja Makita-teriä.

ÖLJYN LISÄÄMINEN

Tämä akkukäyttöinen harjateräseleikkuri on sähköhydraulinen työkalu. Kun se lähtee tehtaalta, se on täytetty öljyllä. Älä lisää öljyä niin kauan kuin työkalu toimii oikein. Ajan kuluessa öljyn pinta laskee asteittain. Lopulta tämä aiheuttaa huomattavan heikentymisen työkalun toiminnassa. Kun näin tapahtuu, lisää öljyä seuraavasti.

1. Aseta terästanko terien väliin ja vedä liipaisinkytkimestä.
2. Vapauta liipaisinkytkin juuri, ennen kuin leikkaus on valmis ja pysäytä työkalu.
3. Irrota akku työkalusta, jotta terät eivät voi vahingossa liikkua.
4. Irrota pultti (SB10x15), joka peittää öljyn täyttöaukon. Lisää öljyä ja varo samalla, ettei öljyä roisku moottoriin.
5. Aseta pultti (SB10x15) takaisin ja kiristä kunnolla.
6. Aseta akku takaisin työkaluun ja suorita leikkaustoimenpide loppuun.
7. Toista edellä kuvattu toimenpide useita kertoja, kunnes öljyn pinta pysyy oikeana.

VAROITUS

- Vain puhdasta hydrauliiikkaöljyä, esimerkiksi Makita & Company Ltd:n suosittamaa, tulee käyttää tässä työkalussa. Suositeltuja öljyjä ovat esimerkiksi Makitan toimittama hydrauliiikkaöljy, Super Hyrando #46 (JX Nippon Oil & Energy Corp.); Shell Tellus Plus #46 (U.S. Shell); tai vastaavan spesifikaation kulumisenestoaineella vahvistettu hydrauliiikkaöljy, ISO-viskositeettiluokka 46. Älä käytä muita öljyjä, sillä ne voivat vahingoittaa tiivisteitä ja muita koneen sisäosia.

VIANETSINTÄ

⚠ VAARA:

- Irrota akku, ennen kuin työskentelet koneella.

ONGELMA	SYY	RATKAISU
Leikkuritanko ei avaudu.	Öljyn määrä ei riitä	Lisää öljyä. (Katso kohta "Öljyn lisääminen")
	Leikkuritanko ei ole palautunut kokonaan leikkuritangon ja tangonpidikkeen väliin kertyneen jäämän vuoksi.	Työnnä leikkuritanko takaisin käsin. Irrota jäämät ja puhdista
	Leikkuritanko ei palautunut kokonaan leikkuritangon vahingoittumisen vuoksi.	Vaihda uusi leikkuritanko.
	Leikkuritanko ei ole palautunut kokonaan löysien tai rikkoutuneiden terien vuoksi.	Kiristä teräpultit. Vaihda uudet terät
	Leikkuritanko ei ole palautunut kokonaan heikon palautusjousen vuoksi.	Vaihda uusi palautusjousi.
Teho ei riitä terästangon leikkaamiseen.	Öljyn määrä ei riitä.	Lisää öljyä. (Katso kohta "Öljyn lisääminen")
	Takaiskuventtiili ei ole kunnolla alustassaan tai alusta on vaurioitunut.	Puhdista takaiskuventtiilin kärki ja alusta. Poista kaikki jäämät alustasta.
	Takaiskuventtiili, vahingoittunut.	Vaihda uuteen.
	Sylinterin ja männän välinen vällys ei ole oikea.	Vaihda uusi mäntä (huomaa: eri mäntäkokoja on saatavilla)
	Vastaventtiili ei ole kunnolla alustassaan tai alusta on vaurioitunut.	Puhdista vastaventtiili ja alusta. Vaihda uuteen.
	Uretaanipakkaus on vahingoittunut tai rikkoutunut.	Vaihda uuteen.
Öljyä vuotaa.	Öljypinnan kalvo on vahingoittunut tai rikkoutunut.	Vaihda uuteen.
	Leikkuritanko / tangon pidike, vahingoittunut O-rengas, tanko / tangonpidike, pinta naarmuinen tai uria	Vaihda vararengas ja O-rengas. Vaihda uusi leikkuritanko / tangon pidike
	Sylinteri / tangon pidike, O-rengas vahingoittunut	Vaihda uusi O-rengas.
	Sylinteri/pumppukotelo, tiiviste vahingoittunut.	Vaihda uusi vuoraus B.
	Tangon leikkuri / sylinteri / pumppukotelo, laippapultit löysällä.	Kiristä pultit.
	Moottori ei liiku. Moottori on hidas tai toimii epäsäännöllisesti.	Jännite on väärä.
Akun käyttöikä on lopussa.		Vaihda uusi akku.
Tasavirtamoottori vahingoittunut ylikuumentumisen vuoksi.		Vaihda uusi tasavirtamoottori.
Tasavirtamoottorin laakerit tai hammasratas vahingoittuneet tai rikkoutuneet.		Vaihda uudet laakerit tai hammasratas.

HUOMAA:

- Pumpun ja männän alueiden sisäisillä komponenteilla on hyvin pienet toleranssit ja ne ovat hyvin herkkiä pölylle, lialle, hydrauliiKANESTEEN kontaminaatiolle tai väärälle käsittelylle. Pumppukotelon purkaminen vaatii erikoistyökaluja ja koulutuksen ja siihen saa ryhtyä vain valtuutettu korjaushenkilöstö, jolla on tehtävään koulutus ja käytettävissä oikeat työkalut. Sähkökomponenttien väärä huolto saattaa aiheuttaa vaaratilanteita ja vakavia loukkaantumisia. Vain valtuutettu korjaamo, jälleenmyyjä tai jakelija saa hoitaa pumpun, männän komponenttien ja kaikkien sähköosien huollon.

HUOLTO

HUOMIO:

- Varmista aina, että työkalu on sammutettu ja akku on irrotettu, ennen kuin teet laitteeseen säätöjä tai tarkastat sen toimintoja.
- Älä käytä tähän koskaan bensiiniä, tinneriä, alkoholia tai vastaavaa. Seurauksena voi olla haalistumista, vääntymistä ja murtumia.

Hiilikuituharjojen vaihtaminen (kuva 16)

Vaihda harjat, kun ne ovat kuluneet rajamerkkiin. Pidä hiilikuituharjat puhtaina ja vapaasti liikkuvina pidikkeissään. Molemmat hiilikuituharjat tulee vaihtaa samalla kerralla. Käytä vain samanlaisia hiilikuituharjoja. Irrota ruuvitaltan avulla kaksi ruuvia ja irrota sitten takakansi. (kuva 17)

Nosta jousen varsiosa ja aseta sen kotelon ulkonevaan osaan ohuella lovikärkisellä ruuvitaltalla tai vastaavalla välineellä. (kuva 18)

Irrota hiilikuituharjojen hiilikuituharjatulpat pihdeillä. Ota kuluneet hiilikuituharjat irti, aseta paikoilleen uudet ja aseta hiilikuituharjatulpat käänteisessä järjestyksessä.

(kuva 19)

Varmista, että hiilikuituharjatulpat istuvat harjapidikkeiden aukkoihin kunnolla. (kuva 20)

Asenna takakansi takaisin ja kiristä kaksi ruuvia kunnolla. Jotta tuotteen TURVALLISUUS ja LUOTETTAVA TOIMINTA säilytetään, kaikki muut huoltotoimet on annettava Makitan valtuutettujen huoltojen tehtäväksi ja suoritettavaksi aina Makitan varaosilla.

LISÄVARUSTEET

HUOMIO:

- Nämä lisävarusteet ja liitososat ovat tässä oppaassa kuvatus Makita-työkalun kanssa käytettäväksi tarkoitettuja. Muiden varusteiden tai liitoskappaleiden käyttö saattaa aiheuttaa loukkaantumisvaaran. Käytä lisävarustetta tai liitososaa vain sen ilmoitettuun käyttötarkoitukseen.

Jos tarvitset lisäapua näiden lisävarusteiden osalta, ota yhteys paikalliseen Makitan huoltoon.

- Makitan aito akku ja laturi

HUOMAA:

- Luettelossa voi olla tuotteita, jotka sisältyvät laitepakkaukseen vakiolisävarusteina. Vakiolisävarusteissa on maakohtaisia eroja.

Επεξήγηση γενικής άποψης

- | | | |
|--------------------------|------------------------------------|------------------------------|
| 1. Κόκκινη ένδειξη | 14. Περισσότερο από 200 mm | 26. Λεπίδα Β στη ράβδο κοπής |
| 2. Κουμπί | 15. Οπή αέρα | 27. Ανταλλακτικές λεπίδες |
| 3. Κασέτα μπαταρίας | 16. Εξαγωνικό κλειδί | 28. Σήμανση ορίου |
| 4. Σήμανση αστεριού | 17. Βαλβίδα επιστροφής | 29. Πίσω κάλυμμα |
| 5. Ασφάλιση διακόπτη | 18. Λεπίδα Α (Φαρδύτερη λεπίδα) | 30. Βίδες |
| 6. Σκανδάλη διακόπτη | 19. Λεπίδα Β (Φαρδύτερη λεπίδα) | 31. Βραχίονας |
| 7. Πλευρά Α | 20. Μπουλόνι (Μακρύτερο) | 32. Ελατήριο |
| 8. Πλευρά Β | 21. Μπουλόνι (Κοντότερο) | 33. Εσοχή |
| 9. Προστατευτικό | 22. Ροδέλα | 34. Καπάκι ψήκτρας γραφίτη |
| 10. Μπουλόνι συγκράτησης | 23. Μπάρα συγκράτησης | 35. Οπή |
| 11. Βέργα οπλισμού | 24. Ράβδος κοπής | |
| 12. Λεπίδες | 25. Λεπίδα Α στη μπάρα συγκράτησης | |
| 13. Αναστολέας | | |


ΤΕΧΝΙΚΑ ΧΑΡΑΚΤΗΡΙΣΤΙΚΑ


Μοντέλο	DSC162	DSC191
Μέγιστη ικανότητα κοπής (Διάμ. mm)		
Ποιότητα (Grade) 40 - Ποιότητα (Grade) 60		
Ποιότητα (Grade) 40: Αντοχή σε εφελκυσμό 490 N/mm ² 70.000 PSI	16 mm	20 mm
Ποιότητα (Grade) 60: Αντοχή σε εφελκυσμό 620 N/mm ² 90.000 PSI		
Ταχύτητα κοπής	4,0 δευτ/πτα	6,5 δευτ/πτα
Ολικό μήκος	380 mm	412 mm
Καθαρό βάρος	6,5 kg	10,5 kg
Ονομαστική τάση	D.C. 18V	


- Λόγω της συνέχισης του προγράμματός μας έρευνας και ανάπτυξης, οι εν λόγω προδιαγραφές υπόκεινται σε αλλαγές χωρίς προειδοποίηση.
- Τα τεχνικά χαρακτηριστικά και η κασέτα μπαταρίας μπορεί να διαφέρουν από χώρα σε χώρα.
- Βάρος, με κασέτα μπαταρίας, σύμφωνα με τη διαδικασία ΕΡΤΑ 01/2003


Σύμβολα

Παρακάτω παρουσιάζονται τα σύμβολα που χρησιμοποιούνται για αυτήν τη συσκευή. Βεβαιωθείτε ότι έχετε κατανοήσει τη σημασία τους πριν τη χρήση.

 Διαβάστε το εγχειρίδιο οδηγιών.

 Κίνδυνος από εκτίναξη θραυσμάτων και δυνατούς θορύβους. Να φοράτε προστατευτικά για τα μάτια και τα αυτιά.

 Κινούμενη λεπίδα. Κρατήστε τα χέρια σας μακριά, ενώ το μηχάνημα βρίσκεται σε λειτουργία. Απενεργοποιήστε το πριν από τη συντήρηση.

 Cd Ni-MH Li-ion Μόνο για τις χώρες ΕΕ

Μην απορρίπτετε την ηλεκτρική συσκευή ή το πακέτο μπαταρίας μαζί με τα οικιακά απορρίμματα!

Για την τήρηση των Ευρωπαϊκών Οδηγιών σχετικά με τα απόβλητα ηλεκτρικού και ηλεκτρονικού εξοπλισμού, μπαταριών και συσσωρευτών καθώς και μπαταριών, συσσωρευτών και των εφαρμογών τους σύμφωνα με την εθνική νομοθεσία, ο ηλεκτρικός εξοπλισμός, οι μπαταρίες και τα πακέτα μπαταριών που έχουν ολοκληρώσει το κύκλο ζωής τους πρέπει να συλλέγονται ξεχωριστά και να παραδίδονται σε εγκαταστάσεις ανακύκλωσης φιλικές προς το περιβάλλον.

Προοριζόμενη χρήση

Το εργαλείο αυτό προορίζεται για κοπή βέργας οπλισμού.

Θόρυβος

Το σύνθημα σταθμισμένο επίπεδο θορύβου Α έχει καθοριστεί σύμφωνα με το πρότυπο EN60745:

Στάθμη πίεσης ήχου (LpA) : 80,5 dB(A)

Στάθμη ισχύος ήχου (LWA) : 90,1 dB(A)

Αβεβαιότητα (K) : 3 dB(A)

Να φοράτε προστατευτικά για τα αυτιά

Δόνηση

Η συνολική τιμή δόνησης (τριαξονικό διανυσματικό άθροισμα) έχει καθοριστεί σύμφωνα με την EN60745:

Λειτουργία εργασίας: κοπή βέργας σπλιναμού

Εκπομπή δόνησης (a_h) : 2,5 m/s² ή μικρότερη

Αβεβαιότητα (K) : 1,5 m/s²

- Η δηλωμένη τιμή εκπομπής δονήσεων έχει μετρηθεί σύμφωνα με την τυποποιημένη μέθοδο δοκιμής και μπορεί να χρησιμοποιηθεί για τη σύγκριση ενός εργαλείου με ένα άλλο.
- Η δηλωμένη τιμή εκπομπής δόνησης μπορεί επίσης να χρησιμοποιηθεί σε μια προκαταρκτική εκτίμηση της έκθεσης.

⚠️ ΠΡΟΕΙΔΟΠΟΙΗΣΗ:

- Η εκπομπή δονήσεων κατά τη διάρκεια της πραγματικής χρήσης του ηλεκτρικού εργαλείου μπορεί να διαφέρει από τη δηλωμένη τιμή εκπομπής ανάλογα με τον τρόπο με τον οποίο χρησιμοποιείται το εργαλείο.
- Βεβαιωθείτε ότι έχετε προσδιορίσει τα μέτρα ασφαλείας για την προστασία του χειριστή τα οποία πρέπει να βασίζονται σε μία εκτίμηση της έκθεσης σε πραγματικές συνθήκες χρήσης (λαμβάνοντας υπόψη όλα τα τμήματα του κύκλου λειτουργίας όπως όταν το εργαλείο είναι απενεργοποιημένο και όταν λειτουργεί στο ρελαντί επιπρόσθετα του χρόνου ενεργοποίησης).

Δήλωση συμμόρφωσης ΕΕ

Μόνο για τις Ευρωπαϊκές χώρες

Η Δήλωση συμμόρφωσης ΕΕ περιλαμβάνεται ως

Παράρτημα Α στο παρόν Εγχειρίδιο οδηγιών.

Γενικές προειδοποιήσεις ασφαλείας ηλεκτρικών εργαλείων

⚠️ **ΠΡΟΕΙΔΟΠΟΙΗΣΗ Διαβάστε όλες τις προειδοποιήσεις ασφαλείας και όλες τις οδηγίες.** Η μη τήρηση των προειδοποιήσεων και οδηγιών ενδέχεται να προκαλέσει ηλεκτροπληξία, πυρκαγιά ή/και σοβαρό τραυματισμό.

Φυλάξτε όλες τις προειδοποιήσεις και τις οδηγίες για μελλοντική αναφορά.

Ο όρος "ηλεκτρικό εργαλείο" στις προειδοποιήσεις αναφέρεται στο ηλεκτρικό εργαλείο σας που λειτουργεί συνδεδεμένο στην πρίζα (με καλώδιο) ή στο ηλεκτρικό εργαλείο σας που λειτουργεί με μπαταρία (χωρίς καλώδιο).

Ασφάλεια χώρου εργασίας

1. **Διατηρείτε το χώρο εργασίας καθαρό και καλά φωτισμένο.** Σε ακατάστατους ή σκοτεινούς χώρους ενδέχεται να προκληθούν ατυχήματα.
2. **Μη χρησιμοποιείτε τα ηλεκτρικά εργαλεία σε κρηκτικές ατμόσφαιρες, όπως σε χώρους όπου υπάρχουν εύφλεκτα υγρά, αέρια ή σκόνη.** Τα ηλεκτρικά εργαλεία δημιουργούν σπινθήρες, οι οποίοι μπορεί να αναφλέξουν τη σκόνη ή τις αναθυμιάσεις.
3. **Κρατήστε τα παιδιά και τους παρευρισκόμενους μακριά όταν χρησιμοποιείτε ένα ηλεκτρικό εργαλείο.** Η απόσπαση της προσοχής σας μπορεί να έχει ως αποτέλεσμα να χάσετε τον έλεγχο.

Ηλεκτρική ασφάλεια

4. **Το φως του ηλεκτρικού εργαλείου πρέπει να ταιριάζει στην πρίζα. Μην τροποποιήσετε ποτέ το φως με οποιονδήποτε τρόπο. Μη χρησιμοποιείτε φως προσαρμογής με γειωμένα ηλεκτρικά εργαλεία.** Τα μη τροποποιημένα φως και οι κατάλληλες πρίζες μειώνουν τον κίνδυνο ηλεκτροπληξίας.
5. **Αποφεύγετε την επαφή του σώματος με γειωμένες επιφάνειες όπως σωλήνες, θερμάστρες, συσκευές μαγειρέματος και ψυγεία.** Υπάρχει αυξημένος κίνδυνος ηλεκτροπληξίας εάν το σώμα σας είναι γειωμένο.
6. **Μην εκθέτετε τα ηλεκτρικά εργαλεία στη βροχή ή σε συνθήκες υγρασίας.** Τυχόν διείσδυση νερού στο ηλεκτρικό εργαλείο αυξάνει τον κίνδυνο ηλεκτροπληξίας.
7. **Μην κακομεταχειρίζεστε το καλώδιο. Μη χρησιμοποιείτε ποτέ το καλώδιο για να μεταφέρετε, να τραβήξετε ή να αποσυνδέσετε από την πρίζα το ηλεκτρικό εργαλείο. Κρατήστε το καλώδιο μακριά από θερμότητα, λάδια, αιχμηρές ακμές ή κινούμενα εξαρτήματα.** Τα κατεστραμμένα ή μπερδεμένα καλώδια αυξάνουν τον κίνδυνο ηλεκτροπληξίας.
8. **Όταν χειρίζεστε ένα ηλεκτρικό εργαλείο σε εξωτερικούς χώρους, χρησιμοποιήστε καλώδιο πρόεκτασης κατάλληλο για χρήση σε εξωτερικούς χώρους.** Η χρήση ενός καλωδίου που είναι κατάλληλο για εξωτερική χρήση μειώνει τον κίνδυνο ηλεκτροπληξίας.
9. **Εάν η λειτουργία ενός ηλεκτρικού εργαλείου σε υγρό περιβάλλον είναι αναπόφευκτη, χρησιμοποιήστε ένα διακόπτη κυκλώματος σφάλματος γείωσης (GFCI) για την παροχή προστασίας.** Η χρήση ενός διακόπτη GFCI μειώνει τον κίνδυνο ηλεκτροπληξίας.

Προσωπική ασφάλεια

10. **Να βρίσκεστε σε ετοιμότητα, να βλέπετε αυτό που κάνετε και να χρησιμοποιείτε την κοινή λογική** όταν χρησιμοποιείτε ένα ηλεκτρικό εργαλείο. Μη χρησιμοποιείτε ένα ηλεκτρικό εργαλείο όταν είστε κουρασμένοι ή υπό την επήρεια ναρκωτικών, αλκοόλ ή φαρμάκων. Μια στιγμή απροσεξίας κατά τη λειτουργία του ηλεκτρικού εργαλείου μπορεί να οδηγήσει σε σοβαρό τραυματισμό.

11. **Χρησιμοποιήστε ατομικό προστατευτικό εξοπλισμό. Φοράτε πάντα προστατευτικά ματιών.** Ο προστατευτικός εξοπλισμός, όπως μάσκα για τη σκόνη, αντιολισθητικά παπούτσια ασφαλείας, κράνη ή προστατευτικά ακοής που χρησιμοποιούνται στις αντίστοιχες συνθήκες μειώνουν την πιθανότητα τραυματισμών.
12. **Αποφεύγετε την αβέλτη εκκίνηση. Πριν μαζέψετε ή μεταφέρετε το εργαλείο και προτού το συνδέσετε με την πηγή ενέργειας/και την μπαταρία βεβαιωθείτε ότι ο διακόπτης είναι στη θέση απενεργοποίησης (off).** Η μεταφορά ηλεκτρικών εργαλείων με το δάχτυλό σας στο διακόπτη ή η ενεργοποίηση ηλεκτρικών εργαλείων που έχουν το διακόπτη ενεργοποιημένο ενδέχεται να προκαλέσουν ατυχήματα.
13. **Αφαιρέστε τυχόν κλειδιά ρυθμιζόμενου ανοίγματος (γαλλικά κλειδιά) ή απλά κλειδιά πριν θέσετε σε λειτουργία το ηλεκτρικό εργαλείο.** Ένα εργαλείο ή κλειδί που έχει παραμείνει τοποθετημένο στο περιστρεφόμενο εξάρτημα του ηλεκτρικού εργαλείου μπορεί να οδηγήσει σε τραυματισμό.
14. **Μην πλησιάζετε πολύ. Διατηρείτε πάντα το κατάλληλο πάτημα και την ισορροπία σας.** Αυτό σας επιτρέπει να έχετε τον καλύτερο έλεγχο του ηλεκτρικού εργαλείου σε περιπτώσεις απρόσμενων καταστάσεων.
15. **Να ντύνεστε κατάλληλα. Μη φοράτε φαρδιά ρούχα ή κοσμήματα. Κρατήστε τα μαλλιά σας, τα ρούχα και τα γάντια σας μακριά από κινούμενα μέρη.** Τα φαρδιά ρούχα, τα κοσμήματα και τα μακριά μαλλιά μπορεί να πιαστούν σε κινούμενα μέρη.
16. **Αν παρέχονται εξαρτήματα για τη σύνδεση συσκευών εξαγωγής και συλλογής σκόνης, να βεβαιώνετε ότι είναι συνδεδεμένα και χρησιμοποιούνται σωστά.** Η συλλογή της σκόνης μπορεί να μειώσει τους κινδύνους που σχετίζονται με τη σκόνη.

Χρήση και φροντίδα του ηλεκτρικού εργαλείου

17. **Μην ασκείτε δύναμη στο ηλεκτρικό εργαλείο. Χρησιμοποιήστε το κατάλληλο ηλεκτρικό εργαλείο για την εφαρμογή σας.** Το κατάλληλο ηλεκτρικό εργαλείο θα εκτελέσει την εργασία καλύτερα και με μεγαλύτερη ασφάλεια στο βαθμό για τον οποίο σχεδιάστηκε.
 18. **Μη χρησιμοποιείτε το ηλεκτρικό εργαλείο αν ο διακόπτης λειτουργίας δεν το ενεργοποιεί ή δεν το απενεργοποιεί.** Οποιοδήποτε ηλεκτρικό εργαλείο που δεν μπορεί να ελεγχθεί με το διακόπτη είναι επικίνδυνο και πρέπει να επισκευαστεί.
 19. **Αποσυνδέστε το φως από την πρίζα ή/και την μπαταρία από το ηλεκτρικό εργαλείο πριν κάνετε οποιοσδήποτε ρυθμίσεις, αλλάξτε εξαρτήματα ή αποθηκεύσετε ηλεκτρικά εργαλεία.** Αυτά τα προληπτικά μέτρα ασφαλείας μειώνουν τον κίνδυνο να ξεκινήσει τη λειτουργία του το ηλεκτρικό εργαλείο κατά λάθος.
 20. **Αποθηκεύετε τα ηλεκτρικά εργαλεία που δεν χρησιμοποιείτε μακριά από παιδιά και μη αφήνετε άτομα που δεν είναι εξοικειωμένα με το ηλεκτρικό εργαλείο ή με αυτές τις οδηγίες να χρησιμοποιούν το ηλεκτρικό εργαλείο.** Τα ηλεκτρικά εργαλεία είναι επικίνδυνα στα χέρια μη εκπαιδευμένων χρηστών.
 21. **Να συντηρείτε τα ηλεκτρικά εργαλεία. Ελέγξτε για ενδεχόμενο μπλοκάρισμα των κινούμενων μερών ή την ευθυγράμμιση τους, τη θραύση των εξαρτημάτων και οποιαδήποτε άλλη κατάσταση που ενδέχεται να επηρεάσει τη λειτουργία του ηλεκτρικού εργαλείου. Σε περίπτωση βλάβης, το ηλεκτρικό εργαλείο πρέπει να επισκευαστεί πριν χρησιμοποιηθεί.** Πολλά ατυχήματα προκαλούνται από ελλιπή συντήρηση των ηλεκτρικών εργαλείων.
 22. **Διατηρείτε τα εργαλεία κοπής κοφτερά και καθαρά.** Τα σωστά συντηρημένα εργαλεία κοπής με αιχμηρά άκρα κοπής είναι λιγότερο πιθανό να μπλοκάρουν και είναι ευκολότερος ο χειρισμός τους.
 23. **Χρησιμοποιήστε το ηλεκτρικό εργαλείο, τα εξαρτήματα, τα φερόμενα εργαλεία κτλ. σύμφωνα με αυτές τις οδηγίες, λαμβάνοντας υπόψη τις συνθήκες εργασίας και την εργασία που πρόκειται να εκτελεστεί.** Η χρήση του ηλεκτρικού εργαλείου για εργασίες διαφορετικές από εκείνες για τις οποίες προορίζεται ενδέχεται να οδηγήσει σε μια επικίνδυνη κατάσταση.
- Χρήση και φροντίδα της μπαταρίας του εργαλείου**
24. **Για την επαναφόρτιση, να χρησιμοποιείται μόνο ο φορτιστής που ορίζεται από τον κατασκευαστή.** Ένας φορτιστής ο οποίος είναι κατάλληλος για έναν τύπο πακέτου μπαταρίας μπορεί να προκαλέσει φωτιά εάν χρησιμοποιηθεί με άλλο πακέτο μπαταρίας.
 25. **Χρησιμοποιείτε ηλεκτρικά εργαλεία μόνο με τα ειδικά για αυτά σχεδιασμένα πακέτα μπαταρίας.** Η χρήση οποιουδήποτε άλλου τύπου πακέτου μπαταρίας μπορεί να δημιουργήσει κίνδυνο τραυματισμού και φωτιά.
 26. **Όταν το πακέτο μπαταρίας δε χρησιμοποιείται, να το φυλάσσετε μακριά από άλλα μεταλλικά αντικείμενα, όπως συνδετήρες χαρτί, νομίσματα, κλειδιά, καρφιά, βίδες και άλλα μικρά μεταλλικά αντικείμενα τα οποία μπορούν να βραχυκυκλώσουν τους πόλους.** Το βραχυκυκλώμα μεταξύ των πόλων της μπαταρίας μπορεί να προκαλέσει εγκαύματα ή φωτιά.
 27. **Κάτω από καταχρηστικές συνθήκες, ενδέχεται να εκτοξευτεί υγρό από την μπαταρία. Αποφύγετε την επαφή. Εάν έρθετε σε επαφή κατά λάθος, ξεπλύνετε με νερό. Εάν το υγρό έρθει σε επαφή με τα μάτια, ζητήστε ιατρική βοήθεια επιπρόσθετα.** Το υγρό που εκτοξεύεται από την μπαταρία μπορεί να προκαλέσει ερεθισμό ή εγκαύματα.

Σέρβις

28. **Οι εργασίες συντήρησης στο ηλεκτρικό εργαλείο σας να εκτελούνται από εγκεκριμένο τεχνικό χρησιμοποιώντας μόνο γνήσια ανταλλακτικά.** Αυτό θα εξασφαλίσει την ασφάλεια στο ηλεκτρικό εργαλείο στο οποίο πραγματοποιήθηκε η συντήρηση.
29. **Ακολουθήστε τις οδηγίες για τη λίπανση και την αλλαγή εξαρτημάτων.**
30. **Διατηρείτε τις λαβές στεγνές, καθαρές και απαλλαγμένες από λάδι και γράσο.**

ΠΡΟΕΙΔΟΠΟΙΗΣΕΙΣ ΑΣΦΑΛΕΙΑΣ ΓΙΑ ΤΟΝ ΚΟΦΤΗ ΑΤΣΛΟΒΕΡΓΑΣ ΜΕ ΜΠΑΤΑΡΙΑ

1. Κρατάτε το εργαλείο με ασφάλεια, κατά τη χρήση του. Εάν το εργαλείο δεν το κρατήσετε με ασφάλεια, μπορεί να τραυματιστείτε.
2. Κρατήστε τα χέρια και το πρόσωπό σας μακριά από τα κινούμενα μέρη. Αυτά μπορεί να προκαλέσουν τραυματισμό.
3. Απελευθερώστε τη σκανδάλη διακόπτη αμέσως ώστε να σταματήσει η λειτουργία όταν το εργαλείο τεθεί εκτός λειτουργίας ή κάνει ασυνήθιστο ήχο κατά τη χρήση του. Δώστε το για επιθεώρηση και επισκευή σε κάποιο εξουσιοδοτημένο κέντρο σέρβις. Σε αντίθετη περίπτωση, ενδέχεται να προκληθεί ζημιά ή τραυματισμός.
4. Αν σας πέσει ή χτυπήσετε το εργαλείο, ελέγξτε προσεκτικά εάν το σώμα έχει υποστεί κάποια ζημιά, ράγισμα ή παραμόρφωση. Κάθε τέτοια παρόμοια ζημιά ενδέχεται να προκαλέσει τραυματισμό.
5. Αυτό το εργαλείο είναι ένα ηλεκτρο-υδραυλικό εργαλείο. Το δοχείο λαδιού ήταν γεμάτο πριν από την παράδοση. Μην προσθέτετε λάδι, εκτός εάν το εργαλείο δε λειτουργεί κανονικά.
6. Οι μεταλλικές λεπίδες κοπής έχουν αιχμηρές ακμές. Να τις χειρίζεστε προσεκτικά για να μην κοπείτε.
7. Κατεστραμμένες, παραμορφωμένες ή ραγισμένες λεπίδες μπορούν να προκαλέσουν σοβαρά ατυχήματα, καθώς και δυσλειτουργία.
Αντικαταστήστε άμεσα με καινούργιες γνήσιες λεπίδες.

ΦΥΛΑΞΤΕ ΑΥΤΕΣ ΤΙΣ ΟΔΗΓΙΕΣ.

ΠΡΟΕΙΔΟΠΟΙΗΣΗ:

ΜΗΝ επιτρέψετε η άνεση ή η εξοικείωση με το προϊόν (που αποκτήθηκε από επανειλημμένη χρήση) να αντικαταστήσει την αυστηρή τήρηση των κανόνων ασφάλειας που αφορούν αυτό το προϊόν. Η ΚΑΚΗ ΧΡΗΣΗ ή αμέλεια στην τήρηση των κανόνων ασφαλείας που διατυπώνονται στο παρόν εγχειρίδιο οδηγίων ενδέχεται να προκαλέσει σοβαρό τραυματισμό.

ΣΗΜΑΝΤΙΚΕΣ ΟΔΗΓΙΕΣ ΑΣΦΑΛΕΙΑΣ

ΓΙΑ ΚΑΣΕΤΑ ΜΠΑΤΑΡΙΑΣ

1. Πριν χρησιμοποιήσετε την κασέτα μπαταρίας, διαβάστε όλες τις οδηγίες και σημειώσεις προφύλαξης (1) στο φορτιστή μπαταρίας, (2) στην μπαταρία και (3) στο προϊόν που χρησιμοποιεί την μπαταρία.
2. Μην αποσυρμολογείτε την κασέτα μπαταρίας.
3. Εάν ο χρόνος λειτουργίας έχει γίνει υπερβολικά βραχύς, σταματήστε τη λειτουργία αμέσως. Αλλιώς, μπορεί να έχει ως αποτέλεσμα τον

κίνδυνο υπερθέρμανσης, πιθανά εγκαύματα ή ακόμη και έκρηξη.

4. Εάν μπει στα μάτια σας ηλεκτρολύτης, ξεπλύνετε τα με καθαρό νερό και ζητήστε ιατρική φροντίδα αμέσως. Αλλιώς, μπορεί να έχει ως αποτέλεσμα την απώλεια της όρασής σας.
5. Μην βραχυκυκλώνετε την κασέτα μπαταρίας:
 - (1) Μην αγγίζετε τους πόλους με σιδηρήτοιε αγώγιμο υλικό.
 - (2) Αποφεύγετε να αποθηκεύετε την κασέτα μπαταρίας μέσα σε ένα δοχείο μαζί με άλλα μεταλλικά αντικείμενα όπως καρφιά, νομίσματα, κλπ.
 - (3) Μην εκθέτετε την κασέτα μπαταρίας στο νερό ή στη βροχή.
Ένα βραχυκύκλωμα μπαταρίας μπορεί να προκαλέσει μεγάλη ροή ρεύματος, υπερθέρμανση, πιθανά εγκαύματα ακόμη και σοβαρή βλάβη.
6. Μην αποθηκεύετε τη συσκευή και την κασέτα μπαταρίας σε τοποθεσίες όπου η θερμοκρασία μπορεί να φτάσει ή να ξεπεράσει τους 50°C.
7. Μην καίτε την κασέτα μπαταρίας ακόμη και εάν έχει σοβαρή ζημιά ή είναι εντελώς φθαρμένη. Η κασέτα μπαταρίας μπορεί να εκραγεί στη φωτιά.
8. Προσέχετε να μη ρίξετε κάτω ή χτυπήσετε την μπαταρία.
9. Μην χρησιμοποιείτε μπαταρία που έχει υποστεί ζημιά.
10. Τηρείτε τους τοπικούς κανονισμούς σχετικά με την απόρριψη της μπαταρίας.

ΦΥΛΑΞΤΕ ΑΥΤΕΣ ΤΙΣ ΟΔΗΓΙΕΣ.

Συμβουλές για διατήρηση μέγιστης ζωής της μπαταρίας

1. Φορτίζετε την κασέτα μπαταρίας πριν από την πλήρη αποφόρτιση της. Πάντοτε σταματάτε τη λειτουργία της συσκευής και φορτίζετε την κασέτα μπαταρίας όταν παρατηρείτε μειωμένη ισχύ της συσκευής.
2. Ποτέ μην επαναφορτίζετε μία πλήρως φορτισμένη κασέτα μπαταρίας.
Η υπερφόρτιση μειώνει την ωφέλιμη ζωή της μπαταρίας.
3. Φορτίζετε την κασέτα μπαταρίας σε θερμοκρασία δωματίου 10°C - 40°C. Αφήστε μία θερμή κασέτα μπαταρίας να κρυώσει πριν την φορτίσετε.
4. Φορτίστε την κασέτα μπαταρίας μία φορά κάθε έξι μήνες εάν δεν τη χρησιμοποιείτε για μεγάλη χρονική περίοδο.

ΠΕΡΙΓΡΑΦΗ ΛΕΙΤΟΥΡΓΙΑΣ

ΠΡΟΣΟΧΗ:

- Πάντοτε να βεβαιώνεστε ότι το εργαλείο είναι απενεργοποιημένο και η κασέτα μπαταρίας έχει αφαιρεθεί πριν ρυθμίσετε ή ελέγξετε κάποια λειτουργία στο εργαλείο.

Τοποθέτηση και αφαίρεση της κασέτας μπαταρίας (Εικ. 1).

⚠️ ΠΡΟΣΟΧΗ:

- Πάντοτε να απενεργοποιείτε το εργαλείο πριν την τοποθέτηση ή την αφαίρεση της κασέτας μπαταρίας.
- **Κρατάτε το εργαλείο και την κασέτα μπαταρίας σταθερά κατά την τοποθέτηση ή την αφαίρεση της κασέτας μπαταρίας.** Εάν δεν κρατάτε το εργαλείο και την κασέτα μπαταρίας σταθερά μπορεί να γλιστρήσουν από τα χέρια σας με αποτέλεσμα να προκληθεί ζημιά στο εργαλείο ή την κασέτα μπαταρίας καθώς και να τραυματιστείτε.

Για να αφαιρέσετε την κασέτα μπαταρίας, βγάλτε την από το εργαλείο ενώ σύρετε το κουμπί στο εμπρόσθιο μέρος της κασέτας.

Για να εγκαταστήσετε την κασέτα μπαταρίας, ευθυγραμμίστε τη γλώσσα στην κασέτα μπαταρίας με την αυλακία στην υποδοχή και απλώστε την μέχρι να μπει στη θέση της. Να την εισάγετε πλήρως μέχρι να κλειδώσει με ένα μικρό κλικ. Εάν μπορείτε να δείτε την κόκκινη ένδειξη στην επάνω πλευρά του κουμπιού, δεν έχει κλειδώσει τελειώς.

⚠️ ΠΡΟΣΟΧΗ:

- Πάντοτε να τοποθετείτε την κασέτα μπαταρίας πλήρως μέχρι να μην μπορείτε να δείτε την κόκκινη ένδειξη. Σε αντίθετη περίπτωση, ίσως πέσει κατά λάθος από το εργαλείο, τραυματίζοντας εσάς ή κάποιον που βρίσκεται κοντά σας.
- Μη χρησιμοποιείτε δύναμη όταν τοποθετείτε την κασέτα μπαταρίας. Εάν η κασέτα δεν γλιστράει μέσα εύκολα, δεν εισάγεται με το σωστό τρόπο.

Σύστημα προστασίας μπαταρίας (μπαταρία ιόντων λιθίου με ένδειξη αστεριού) (Εικ. 2)

Οι μπαταρίες ιόντων λιθίου με ένδειξη αστεριού είναι εξοπλισμένες με ένα σύστημα προστασίας. Αυτό το σύστημα αποκόπτει αυτόματα την ισχύ προς το εργαλείο για την παράταση της ζωής της μπαταρίας.

Το εργαλείο σταματάει αυτόματα κατά τη διάρκεια της λειτουργίας εάν το εργαλείο ή/και η μπαταρία βρεθούν κάτω από τις ακόλουθες συνθήκες:

- Υπερφόρτιση:

Το εργαλείο λειτουργεί με τρόπο ώστε να αναγκάζεται να καταναλώνει ασυνήθιστα υψηλό ρεύμα.

Σε αυτήν την περίπτωση, αφήστε τη σκανδάλη διακόπτη του εργαλείου και διακόψτε την εργασία που προκαλεί την υπερφόρτιση της συσκευής. Στη συνέχεια τραβήξτε τη σκανδάλη διακόπτη ξανά για επαναλειτουργία.

Εάν το εργαλείο δεν ξεκινάει, η μπαταρία έχει υπερθερμανθεί. Σε αυτήν την περίπτωση, αφήστε την μπαταρία να ψυχθεί προτού τραβήξετε τη σκανδάλη διακόπτη ξανά.

- Χαμηλή τάση μπαταρίας:

Η υπολειπόμενη χωρητικότητα μπαταρίας είναι πολύ χαμηλή και το εργαλείο δε θα λειτουργεί. Σε αυτήν την περίπτωση, αφαιρέστε και επαναφορτίστε την μπαταρία.

ΔΙΑΔΙΚΑΣΙΑ ΛΕΙΤΟΥΡΓΙΑΣ

Διαβάστε, κατανοήστε και ακολουθήστε όλες τις οδηγίες ασφαλείας και τις διαδικασίες λειτουργίας. Αν δεν κατανοείτε τις οδηγίες, ή εάν οι συνθήκες δεν είναι κατάλληλες για τη σωστή λειτουργία, μη χρησιμοποιήσετε αυτό το εργαλείο. Συμβουλευτείτε τον προϊστάμενό σας ή άλλο υπεύθυνο πρόσωπο.

⚠️ ΠΡΟΕΙΔΟΠΟΙΗΣΗ:

- Πριν από την τοποθέτηση της μπαταρίας στο εργαλείο, τραβήξτε και αφήστε τη σκανδάλη διακόπτη για να διασφαλιστεί ότι επιστρέφει στη θέση της όταν απελευθερωθεί.

Το μοτέρ ενεργοποιείται όταν η σκανδάλη διακόπτη τραβιέται και απενεργοποιείται όταν η σκανδάλη διακόπτη απελευθερώνεται.

Λειτουργία ασφάλισης διακόπτη (Εικ. 3)

- Σπρώξτε την ασφάλιση διακόπτη στην πλευρά Α. Ο διακόπτης είναι απασφαλισμένος και η σκανδάλη μπορεί να λειτουργήσει.
- Σπρώξτε την ασφάλιση διακόπτη στην πλευρά Β. Ο διακόπτης είναι ασφαλισμένος η σκανδάλη δεν μπορεί να λειτουργήσει.

⚠️ ΠΡΟΣΟΧΗ:

- Η σκανδάλη διακόπτης πρέπει να είναι ασφαλισμένη πάντοτε, όταν το εργαλείο δεν χρησιμοποιείται.

⚠️ ΠΡΟΕΙΔΟΠΟΙΗΣΗ:

- Πριν από τη χρήση, βεβαιωθείτε ότι η θέση του χειριστή, σε σχέση με το εργαλείο και η γύρω περιοχή είναι ασφαλής για τη λειτουργία. Φορέστε γυαλιά ασφαλείας και προστατευτικό ρουχισμό.
- Ανατρέξτε στα τεχνικά χαρακτηριστικά του εργαλείου σε αυτό το εγχειρίδιο και να μην κόβετε βέργες οπλισμού μεγέθους ή σκληρότητας, που υπερβαίνει την ικανότητα κοπής του εργαλείου.
- Μην κόβετε άλλα υλικά εκτός από βέργες οπλισμού. Ρωτήστε τον κατασκευαστή αν θέλετε να κόψετε άλλα υλικά.

⚠️ ΠΡΟΕΙΔΟΠΟΙΗΣΗ:

- Αντικαταστήστε άμεσα κατεστραμμένες (που έχουν υποστεί απόξεση, ράγισμα, σπάσιμο) ή παραμορφωμένες λεπίδες. Η λεπίδα δεν θα κόψει με ακρίβεια και μπορεί να θρυμματιστεί ή να σπάσει προκαλώντας σοβαρό τραυματισμό.

Διαδικασία κοπής

⚠️ ΠΡΟΕΙΔΟΠΟΙΗΣΗ:

- **Μη χρησιμοποιείτε μη χρησιμοποιείτε το εργαλείο χωρίς το προστατευτικό να βρίσκεται στη θέση του.** Σε αντίθετη περίπτωση, ενδέχεται να προκληθεί σοβαρός τραυματισμός. (Εικ. 4)

1. Τοποθετήστε τη βέργα οπλισμού που θέλετε να κόψετε μεταξύ των λεπίδων. (Εικ. 5)
Ρυθμίστε τον αναστολέα (DSC162) ή το μπουλόνι συγκράτησης (DSC191) ανάλογα με τη διάμετρο της βέργας οπλισμού που πρόκειται να κοπεί, έτσι ώστε η βέργα οπλισμού να βρίσκεται στις 90 μοίρες ως προς τις λεπίδες. Ο αναστολέας (DSC162) ή το μπουλόνι συγκράτησης (DSC191) υποστηρίζει τη βέργα οπλισμού και την διατηρεί κάθετα προς τις λεπίδες κατά την κοπή. (Εικ. 6)

⚠️ ΠΡΟΕΙΔΟΠΟΙΗΣΗ:

- Κατά την κοπή της βέργας οπλισμού, ρυθμίστε τον αναστολέα (DSC162) ή το μπουλόνι συγκράτησης (DSC191) ανάλογα με τη διάμετρο της βέργας οπλισμού που πρόκειται να κοπεί, έτσι ώστε η βέργα οπλισμού να βρίσκεται στις 90 μοίρες ως προς τις λεπίδες. Χωρίς αυτή τη ρύθμιση, το κομμένο κομμάτι μπορεί να εκτιναχθεί μακριά και να προκαλέσει σοβαρό τραυματισμό του χειριστή ή των παρευρισκομένων. Ποτέ μην παραλείπετε να ελέγχετε τη θέση του χειριστή σε σχέση με το εργαλείο και να επιβεβαιώνετε την ασφάλεια του χειριστή και της γύρω περιοχής.
- 2. Τοποθετήστε τη βέργα οπλισμού που θέλετε να κόψετε ώστε αυτή να βρίσκεται πλήρως μεταξύ των λεπίδων. **(Εικ. 7)**

⚠️ ΠΡΟΕΙΔΟΠΟΙΗΣΗ:

- Αν η βέργα οπλισμού που πρόκειται να κοπεί δεν έχει τοποθετηθεί πλήρως μεταξύ των λεπίδων, οι λεπίδες θα καταστραφούν. Η βέργα οπλισμού θα εξαχθεί βίαια και μπορεί να προκαλέσει σοβαρό τραυματισμό.

⚠️ ΠΡΟΕΙΔΟΠΟΙΗΣΗ:

- Μην κόβετε τη βέργα οπλισμού, όταν το κομμάτι που θα κοπεί έχει μήκος μικρότερο από 200 mm. Η κοπή μικρότερου μήκους μπορεί να προκαλέσει εκτίναξη της βέργας οπλισμού μακριά κατά τη διάρκεια της κοπής και να έχει ως αποτέλεσμα σοβαρό τραυματισμό. **(Εικ. 8)**

⚠️ ΠΡΟΕΙΔΟΠΟΙΗΣΗ:

- Μην κόβετε βέργες οπλισμού όταν δεν είναι σωστά στηριγμένες από τον αναστολέα (DSC162) ή το μπουλόνι συγκράτησης (DSC191). Κατά την κοπή, κρατήστε τη βέργα οπλισμού στην πλευρά του αναστολέα (DSC162) ή του μπουλονιού συγκράτησης (DSC191). **(Εικ. 9)** Διαφορετικά, το κομμένο κομμάτι μπορεί να εκτιναχθεί μακριά και να προκαλέσει σοβαρό τραυματισμό του χειριστή ή των παρευρισκομένων.
- 3. Σπρώξτε την ασφάλιση διακόπτη στην πλευρά Α. Ο διακόπτης είναι απασφαλισμένος και η σκανδάλη μπορεί να λειτουργήσει.
- 4. Πατήστε τη σκανδάλη διακόπτη για να ξεκινήσει η λειτουργία κοπής. Η ράβδος κοπής θα μετακινηθεί προς τα εμπρός για να κόψει τη βέργα οπλισμού. Κρατήστε το διακόπτη πατημένο μέχρι η ράβδος κοπής να σταματήσει στο τέλος της διαδρομής της.
- 5. Απελευθερώστε τη σκανδάλη διακόπτη όταν ολοκληρωθεί η κοπή και η ράβδος κοπής έχει φτάσει στο τέλος της διαδρομής της. Η ράβδος κοπής στη συνέχεια θα επιστρέψει αυτόματα στην αρχική της θέση. Η ράβδος κοπής δεν θα επιστρέψει εάν η διαδρομή δεν έχει ολοκληρωθεί. Ομοίως, η ράβδος κοπής δεν θα είναι σε θέση να μετακινηθεί προς τα εμπρός και πάλι μέχρι να επιστρέψει πλήρως στην αρχική της θέση. Πατήστε το διακόπτη για να ξεκινήσετε την επόμενη κοπή, μόνο αφού η ράβδος κοπής επιστρέψει πλήρως στην αρχική της θέση και σταματήσει.

⚠️ ΠΡΟΕΙΔΟΠΟΙΗΣΗ:

- Κατά την κοπή της βέργας οπλισμού υψηλής αντοχής σε εφεκκυσμό, το κομμένο κομμάτι μπορεί να εκτιναχθεί μακριά και να προκαλέσει το σοβαρό τραυματισμό του χειριστή. Φορέστε γυαλιά ασφαλείας

και επιβεβαιώστε ότι η γύρω περιοχή είναι ασφαλής πριν από την έναρξη της λειτουργίας. **(Εικ. 10)**

⚠️ ΠΡΟΕΙΔΟΠΟΙΗΣΗ:

- Κρατήστε τα χέρια και το πρόσωπό σας μακριά από τις λεπίδες, τα κινούμενα μέρη και την περιοχή κοπής, κατά τη διάρκεια της λειτουργίας. Αφαιρέστε την μπαταρία από το εργαλείο αμέσως μετά τη χρήση.

ΣΗΜΕΙΩΣΗ:

- Διατηρήστε την οπή αέρα στο τέλος της μπάρας συγκράτησης καθαρή από βρομιές και θραύσματα. Η οπή αέρα ελέγχει την εσωτερική πίεση και δεν πρέπει να παρεμποδίζεται. **(Εικ. 11)**

Περιστρεφόμενη λειτουργία του μοτέρ (Εικ. 12)

Το σώμα του μοτέρ μπορεί να περιστραφεί κατά 360 μοίρες, προς οποιαδήποτε κατεύθυνση, κατά τη διάρκεια της λειτουργίας. Το χαρακτηριστικό αυτό είναι ιδιαίτερα χρήσιμο όταν εργάζεστε σε δύσκολους ή περιορισμένους χώρους, επειδή επιτρέπει στο χειριστή να τοποθετηθεί το εργαλείο στην καλύτερη θέση για εύκολο χειρισμό.

Λειτουργία βαλβίδας επιστροφής (Εικ. 13)

Η λειτουργία της βαλβίδας επιστροφής είναι να επιτρέψει στη ράβδο κοπής να επιστρέψει στην αρχική θέση, αν δεν είναι σε θέση να ολοκληρώσει μια κοπή ή όταν μπλοκάρει. Αυτό θα απελευθερώσει την πίεση του λαδιού και θα επιτρέψει στη ράβδο κοπής να επιστρέψει. Σφίξτε ξανά τη βαλβίδα επιστροφής όταν η ράβδος κοπής έχει επιστρέψει πλήρως και πριν από την έναρξη της επόμενης λειτουργίας.

ΔΙΑΔΙΚΑΣΙΑ ΑΝΤΙΚΑΚΗΣΤΑΣΗΣ ΛΕΠΙΔΩΝ

Αν οι ακμές κοπής των λεπίδων έχουν υποστεί άoxξηση, ράγιση, παραμόρφωση ή ζημιά με οποιονδήποτε τρόπο, η ικανότητα κοπής τους θα μειωθεί. Η κοπή κάτω από τέτοιες συνθήκες μπορεί να προκαλέσει περαιτέρω βλάβη και να οδηγήσει σε τραυματισμό. Οι λεπίδες πρέπει να αντικατασταθούν ως σετ αν ανακαλύψετε κάποια ζημιά.

⚠️ ΠΡΟΕΙΔΟΠΟΙΗΣΗ:

- Όταν αντικαθιστάτε τις λεπίδες, βεβαιωθείτε ότι η μπαταρία έχει αφαιρεθεί από το εργαλείο για την πρόληψη ακούσιας λειτουργίας.

Βεβαιωθείτε ότι η λεπίδα Α, στη μπάρα συγκράτησης και η λεπίδα Β, στη ράβδο κοπής έχουν τοποθετηθεί στις σωστές αντίστοιχες θέσεις τους. **(Εικ. 14)**

1. Ξεβιδώστε τα μπουλόνια και τις ροδέλες που συγκρατούν τη λεπίδα Α και τη λεπίδα Β.
2. Αφαιρέστε τυχόν βρομιές και καθαρίστε τις επιφάνειες όπου οι νέες λεπίδες πρόκειται να τοποθετηθούν.
3. Τοποθετήστε τη λεπίδα Α στη μπάρα συγκράτησης και τη λεπίδα Β στη ράβδο κοπής. Επανατοποθετήστε τις βίδες και ροδέλες και σφίξτε καλά.

⚠️ ΠΡΟΕΙΔΟΠΟΙΗΣΗ:

- Τα μπουλόνια που συγκρατούν λεπίδα Α και τη λεπίδα Β πρέπει να σφίγγονται τακτικά. Αν τα μπουλόνια χαλαρώσουν οι λεπίδες μπορεί να πάθουν ζημιά και μπορεί να προκληθεί τραυματισμός.

Τύπος ανταλλακτικής λεπίδας και αφαίρεση (Εικ. 15)

Τα μπουλόνια στερέωσης θα πρέπει να είναι σφιχτά βιδωμένα.

Να επιβεβαιώνετε περιοδικά ότι η λεπίδα είναι καλά σφιγμένη.

Μέγεθος ανταλλακτικής λεπίδας

● Χρησιμοποιήστε αυτόν τον πίνακα για να προσδιορίσετε τις σωστές λεπίδες για το μοντέλο σας.

Μοντέλο	A (Τοποθέτηση στη μπάρα συγκράτησης)	B (Τοποθέτηση στη ράβδο κοπής)
DSC162 (ø3 - ø16)	22 × 17 × 9 mm (Μέγεθος μπουλονιού 5 mm)	22 × 17 × 8 mm (Μέγεθος μπουλονιού 5 mm)
DSC191 (ø3 - ø20)	28 × 20 × 11,5 mm (Μέγεθος μπουλονιού 6 mm)	26 × 20 × 10 mm (Μέγεθος μπουλονιού 5 mm)

ΣΗΜΕΙΩΣΗ:

- Χρησιμοποιείτε μόνο γνήσιες λάμες Makita.

ΠΡΟΣΘΗΚΗ ΛΑΔΙΟΥ

Αυτός ο κόφτης ράβδων σπλισμού με μπαταρία είναι ηλεκτρο-υδραυλικός. Κατά την αποστολή του από το εργοστάσιο, ήταν γεμάτος με λάδι. Μην επιχειρήσετε να προσθέσετε λάδι για όσο διάστημα το εργαλείο λειτουργεί καλά. Μετά από ένα χρονικό διάστημα, η στάθμη του λαδιού σταδιακά θα μειώνεται. Ενδεχομένως αυτό θα προκαλέσει αισθητή πτώση στην απόδοση. Όταν συμβεί αυτό προσθέστε λάδι ως ακολούθως.

1. Τοποθετήστε μια βέργα σπλισμού μεταξύ των λεπίδων και τραβήξτε τη σκανδάλη διακόπτη.
2. Απελευθερώστε τη σκανδάλη διακόπτη λίγο πριν ολοκληρωθεί η κοπή για να σταματήσει το εργαλείο.
3. Αφαιρέστε την μπαταρία από το εργαλείο, έτσι ώστε οι λεπίδες να μην μπορούν να μετακινηθούν κατά λάθος.
4. Αφαιρέστε το μπουλόνι (SB10x15) το οποίο καλύπτει την οπή πλήρωσης λαδιού. Προσθέστε το λάδι, προσέχοντας να μην χυθεί καθόλου λάδι στο μοτέρ.
5. Επανατοποθετήστε το μπουλόνι (SB10x15) και σφίξτε καλά.
6. Τοποθετήστε ξανά την μπαταρία στο εργαλείο και να ολοκληρώσετε τη λειτουργία κοπής.
7. Επαναλάβετε την παραπάνω διαδικασία αρκετές φορές μέχρι η στάθμη του λαδιού παραμένει σωστή.

⚠ ΠΡΟΣΟΧΗ:

- Σε αυτό το εργαλείο θα πρέπει να χρησιμοποιείται μόνο καθαρό υδραυλικό λάδι, όπως συνιστάται από τη Makita & Company Ltd. Συνιστώμενα λάδια συμπεριλαμβανομένου του παρεχόμενου από τη Makita υδραυλικού λαδιού, Super Hyrando #46 (JX Nippon Oil & Energy Corp.); Shell Tellus Plus #46 (U.S. Shell). Η υδραυλικό λάδι ενάντια στη φθορά με ισοδύναμα χαρακτηριστικά, ISO Viscosity Grade 46. Μην χρησιμοποιείτε άλλα λάδια, επειδή αυτά μπορεί να προκαλέσουν βλάβη στις στεγανώσεις και σε άλλα εσωτερικά μέρη του μηχανήματος.

ΕΠΙΛΥΣΗ ΠΡΟΒΛΗΜΑΤΩΝ

⚠️ ΠΡΟΕΙΔΟΠΟΙΗΣΗ:

- Αφαιρέστε την μπαταρία προτού εργαστείτε στο μηχανήμα.

ΠΡΟΒΛΗΜΑ	ΑΙΤΙΑ	ΛΥΣΗ
Η ράβδος κοπής δεν εκτείνεται.	Ανεπαρκές λάδι	Συμπληρώστε λάδι. (Ανατρέξτε στη "Προσθήκη λαδιού")
	Η ράβδος κοπής δεν έχει επιστρέψει πλήρως εξαιτίας της συσσώρευσης των θραυσμάτων μεταξύ της ράβδου κοπής και της μπάρας συγκράτησης.	Σπρώξτε με το χέρι προς τα πίσω τη ράβδο κοπής. Αφαιρέστε τα θραύσματα και καθαρίστε
	Η ράβδος κοπής δεν έχει επιστρέψει πλήρως λόγω βλάβης στη ράβδο κοπής.	Αντικαταστήστε τη ράβδο κοπής.
	Η ράβδος κοπής δεν έχει επιστρέψει πλήρως λόγω λασκαρισμένων ή κατεστραμμένων λεπίδων.	Σφίξτε τα μπουλόνια λεπίδων. Αντικαταστήστε τις λεπίδες
	Η ράβδος κοπής δεν έχει επιστρέψει πλήρως λόγω εξασθενημένου ελατηρίου επιστροφής.	Αντικαταστήστε το ελατήριο επιστροφής.
Ανεπαρκής ισχύς για την κοπή της βέργας οπλισμού.	Ανεπαρκές λάδι.	Συμπληρώστε λάδι. (Ανατρέξτε στη "Προσθήκη λαδιού")
	Η βαλβίδα επιστροφής δεν εδράζεται σωστά ή έχει καταστραφεί η έδρα της.	Καθαρίστε την ακίδα της βαλβίδας επιστροφής και την έδρα της. Αφαιρέστε τυχόν υπολείμματα από την έδρα.
	Βαλβίδα επιστροφής, κατεστραμμένη.	Αντικαταστήστε.
	Λάθος διάκενο μεταξύ κυλινδρού και εμβόλου.	Αντικαταστήστε το έμβολο (Σημείωση: διατίθενται έμβολα διαφορετικού μεγέθους)
	Η βαλβίδα αντεπιστροφής, δεν εδράζεται σωστά ή έχει καταστραφεί η έδρα της.	Καθαρίστε και ελέγξτε τη βαλβίδα αντεπιστροφής και την έδρα της. Αντικαταστήστε.
Παρέμβυσμα ουρεθάνης, κατεστραμμένο ή φθαρμένο.	Αντικαταστήστε.	
Διαρροή λαδιού.	Πλωτήρας (φούσκα) λαδιού κατεστραμμένος ή φθαρμένος.	Αντικαταστήστε.
	Ράβδος κοπής/Μπάρα συγκράτησης, O-Ring κατεστραμμένο. Ράβδος/Μπάρα συγκράτησης, επιφάνεια γδαρμένη ή με ραβδώσεις.	Αντικαταστήστε το βοηθητικό δακτύλιο και το O-ring. Αντικαταστήστε τη Ράβδο κοπής/Μπάρα συγκράτησης
	Κύλινδρος/Μπάρα συγκράτησης, O-Ring κατεστραμμένο	Αντικαταστήστε το O-ring.
	Κύλινδρος/Περίβλημα αντλίας, φλάντζα κατεστραμμένα.	Αντικαταστήστε το χιτώνιο B.
	Κόφτης ράβδου/Κύλινδρος/Περίβλημα αντλίας, λασκαρισμένα μπουλόνια φλάντζας.	Σφίξτε τα μπουλόνια.
Το μοτέρ δεν κινείται. Μοτέρ, αργή ή ακανόνιστη λειτουργία.	Ανλθασμένη τάση.	Φορτίστε την μπαταρία.
	Μπαταρίας στο τέλος της ωφέλιμης ζωής.	Αντικαταστήστε την μπαταρία.
	Το μοτέρ DC έχει καταστραφεί από υπερθέρμανση.	Αντικαταστήστε το μοτέρ DC.
	Έδρανα ή γρανάζια του μοτέρ DC κατεστραμμένα ή φθαρμένα.	Αντικαταστήστε τα έδρανα ή τα γρανάζια.

ΣΗΜΕΙΩΣΗ:

- Τα εσωτερικά εξαρτήματα της αντλίας και η περιοχή του εμβόλου έχουν πολύ μικρές ανοχές και είναι ευαίσθητα σε ζημιές από τη σκόνη, τη βρωμιά, τη μόλυνση του υδραυλικού υγρού ή την κακή μεταχείριση. Η αποσυναρμολόγηση του περιβλήματος της αντλίας απαιτεί ειδικά εργαλεία και κατάρτιση, και θα πρέπει να πραγματοποιείται μόνο από εξειδικευμένο προσωπικό επισκευών που έχει εκπαιδευτεί κατάλληλα και έχει τα σωστά εργαλεία. Η ακατάλληλη συντήρηση των ηλεκτρικών εξαρτημάτων μπορεί να οδηγήσει σε συνθήκες που θα μπορούσαν να προκαλέσουν σοβαρό τραυματισμό. Η αντλία, τα εξαρτήματά του εμβόλου και όλα τα ηλεκτρικά εξαρτήματα θα πρέπει να συντηρούνται μόνο από εξουσιοδοτημένο κατάστημα επισκευών, τον αντιπρόσωπο ή το διανομέα.

ΣΥΝΤΗΡΗΣΗ

ΠΡΟΣΟΧΗ:

- Πάντοτε να βεβαιώνετε ότι το εργαλείο είναι απενεργοποιημένο και η κασέτα μπαταρίας έχει αφαιρεθεί πριν προσπαθήσετε να πραγματοποιήσετε επιθεώρηση ή συντήρηση.
- Μη χρησιμοποιείτε ποτέ βενζίνη, διαλυτικό, αλκοόλη ή παρόμοιες ουσίες. Ενδέχεται να προκληθεί αποχρωματισμός παραμόρφωση ή ρωγμές.

Αντικατάσταση των ψηκτρών γραφίτη

(Εικ. 16)

Αντικαταστήστε όταν έχουν φθαρεί έως την ένδειξη ορίου. Να διατηρείτε τις ψήκτρες γραφίτη καθαρές και ελεύθερες για να γλιστρούν στις βάσεις. Και οι δύο ψήκτρες γραφίτη πρέπει να αντικαθίστανται ταυτόχρονα. Χρησιμοποιείτε ψήκτρες γραφίτη μόνο ίδιου τύπου. Χρησιμοποιήστε ένα κατσαβίδι για να αφαιρέσετε τις δύο βίδες και, στη συνέχεια, αφαιρέστε το πίσω κάλυμμα.

(Εικ. 17)

Σηκώστε το τμήμα βραχίονα του ελατηρίου και στη συνέχεια τοποθετήστε το στην εσοχή του περιβλήματος με ένα ίσιο φιλό κατσαβίδι ή παρόμοιο. **(Εικ. 18)**

Χρησιμοποιήστε τανάλια για να αφαιρέσετε τα καπάκια από τις ψήκτρες γραφίτη. Αφαιρέστε τις φθαρμένες ψήκτρες γραφίτη, τοποθετήστε τις καινούργιες και τοποθετήστε ξανά τα καπάκια των ψηκτρών γραφίτη με αντίστροφη σειρά. **(Εικ. 19)**

Βεβαιωθείτε ότι τα καπάκια των ψηκτρών γραφίτη έχουν ταιριάξει σωστά στις οπές στις βάσεις ψηκτρών. **(Εικ. 20)**

Τοποθετήστε ξανά το πίσω κάλυμμα και σφίξτε καλά τις δύο βίδες. Για την διατήρηση της ΑΣΦΑΛΕΙΑΣ και ΑΞΙΟΠΙΣΤΙΑΣ του προϊόντος, επισκευές, οποιαδήποτε άλλη συντήρηση ή ρύθμιση πρέπει να εκτελούνται από τα Εξουσιοδοτημένα Κέντρα Εξυπηρέτησης της Makita, με χρήση πάντοτε ανταλλακτικών Makita.

ΠΡΟΑΙΡΕΤΙΚΑ ΕΞΑΡΤΗΜΑΤΑ

ΠΡΟΣΟΧΗ:

- Αυτά τα εξαρτήματα ή προσαρτήματα συνιστώνται για χρήση με το εργαλείο της Makita που περιγράφεται στο παρόν εγχειρίδιο. Η χρήση οποιουδήποτε άλλου εξαρτήματος ή προσαρτήματος ενέχει κίνδυνο τραυματισμού ατόμων. Το εξάρτημα ή προσαρτήμα να χρησιμοποιείται μόνο για την προοριζόμενη χρήση του.

Εάν χρειάζεστε βοήθεια όσον αφορά περαιτέρω λεπτομέρειες σχετικά με τα εν λόγω εξαρτήματα, απευθυνθείτε στο τοπικό κέντρο σέρβις της Makita.

- Γνήσια μπαταρία και φορτιστής της Makita

ΣΗΜΕΙΩΣΗ:

- Μερικά στοιχεία στη λίστα μπορεί να συμπεριλαμβάνονται στη συσκευασία του εργαλείου ως στάνταρ εξαρτήματα. Μπορεί να διαφέρουν ανάλογα με τη χώρα.

Описание общего вида

- | | | |
|------------------------------------|-------------------------------|--------------------------------|
| 1. Индикатор красного цвета | 12. Ножи | 24. Шток ножниц |
| 2. Кнопка | 13. Упор | 25. Нож А на держателе стержня |
| 3. Картридж аккумуляторной батареи | 14. Более 200 мм | 26. Нож В на штоке ножниц |
| 4. Маркировка в виде звезды | 15. Вентиляционное отверстие | 27. Запасные ножи |
| 5. Фиксатор переключателя | 16. Шестигранный ключ | 28. Граничная метка |
| 6. Курок переключателя | 17. Обратный клапан | 29. Задняя крышка |
| 7. Сторона А | 18. Нож А (более широкий нож) | 30. Винты |
| 8. Сторона В | 19. Нож В (более широкий нож) | 31. Рычаг |
| 9. Защитное приспособление | 20. Болт (более длинный) | 32. Пружина |
| 10. Удерживающий болт | 21. Болт (более короткий) | 33. Деталь с углублением |
| 11. Арматурный стержень | 22. Шайба | 34. Крышка угольной щетки |
| | 23. Держатель стержня | 35. Отверстие |

ТЕХНИЧЕСКИЕ ХАРАКТЕРИСТИКИ

Модель	DSC162	DSC191
Максимальный диаметр разрезаемого стержня (мм)	16 мм	20 мм
Сталь 40 - сталь 60		
Сталь 40: Предел прочности при растяжении — 490 Н/мм ² 70 000 фунтов на кв. дюйм Сталь 60: Предел прочности при растяжении — 620 Н/мм ² 90 000 фунтов на кв. дюйм		
Скорость резания	4,0 с	6,5 с
Общая длина	380 мм	412 мм
Масса нетто	6,5 кг	10,5 кг
Номинальное напряжение	18 В пост. тока	

- Вследствие продолжающейся программы научно-исследовательских и опытно-конструкторских работ технические характеристики могут быть изменены без предварительного уведомления.
- Технические характеристики и картриджи аккумуляторной батареи могут отличаться в зависимости от страны.
- Масса с картриджем аккумуляторной батареи указана согласно процедуре EPTA 01/2003

Условные обозначения

Ниже показаны условные обозначения, используемые для данного оборудования. Перед эксплуатацией оборудования убедитесь, что вы понимаете их смысл.



Cd
Ni-MH
Li-Ion

..... Только для стран ЕС

Не утилизируйте электрическое оборудование и аккумуляторную батарею вместе с бытовыми отходами! В целях соблюдения Директив ЕС по утилизации электрического и электронного оборудования, аккумуляторных батарей и аккумуляторов и отходов аккумуляторных батарей и аккумуляторов и соответствующих требований национального законодательства электрооборудование, аккумуляторные батареи и аккумуляторы, которые достигли конца срока своей службы, следует собирать отдельно от других отходов и отправлять на предприятие, осуществляющее экологически безопасную переработку.



..... Прочитайте инструкцию по эксплуатации.



..... Опасность разлетающихся частиц и громкого шума. Носите средства защиты органов слуха и глаз.



..... Движущиеся ножи. При работе устройстве держите руки на безопасном расстоянии. Перед обслуживанием отключите питание.

Назначение

Данный инструмент предназначен для резки арматурных стержней.

Шум

Типичный уровень шума по шкале А, определенный в соответствии с EN60745:

Уровень звукового давления (LpA): 80,5 дБА

Уровень звуковой мощности (LWA): 90,1 дБА

Погрешность (K): 3 дБА

Носите средства защиты органов слуха

Уровень вибрации

Общий уровень вибрации (сумма векторов по трем осям), определенный в соответствии с EN60745:

Режим работы: резка арматурных стержней

Уровень вибрации (a_{H1}): 2,5 м/с² или менее

Погрешность (K): 1,5 м/с²

- Указанная величина уровня вибрации была определена в соответствии со стандартным методом испытаний и может применяться для сравнения инструментов.
- Указанную величину уровня вибрации также можно использовать для предварительной оценки воздействия.

⚠ ПРЕДУПРЕЖДЕНИЕ:

- Уровень вибрации при использовании данного электрического инструмента может отличаться от указанной величины в зависимости от способа использования инструмента.
- Обязательно определите меры защиты оператора, основанные на оценке воздействия в реальных условиях использования (с учетом всех факторов рабочего цикла, например, моментов выключения инструмента и периодов работы на холостом ходу в дополнение к моментам включения).

Декларация о соответствии нормам ЕС

Только для европейских стран

Декларация о соответствии нормам ЕС включена в качестве Приложения А к настоящей инструкции по эксплуатации.

Общие меры предосторожности при использовании электрических инструментов

⚠ ПРЕДУПРЕЖДЕНИЕ: Прочитайте все меры предосторожности и все инструкции.

Несоблюдение мер предосторожности и инструкций может привести к поражению электрическим током, пожару и/или тяжелой травме.

Сохраните все меры предосторожности и инструкции для дальнейшего использования.

Термин «электрический инструмент» в описании мер предосторожности обозначает инструмент с питанием от сети или инструмент с питанием от аккумуляторной батареи.

Безопасность на рабочем месте

- Следите за чистотой рабочего места и обеспечьте его хорошее освещение.** Беспорядок на рабочем месте или недостаточная освещенность могут стать причиной несчастных случаев.
- Не эксплуатируйте электрические инструменты во взрывоопасной атмосфере, например в присутствии легковоспламеняющихся жидкостей, газов или пыли.** При работе электрических инструментов возникают искры, которые могут привести к возгоранию пыли или паров.
- Не допускайте детей и посторонних лиц в места проведения работ с электрическим инструментом.** Факторы, отвлекающие внимание, могут привести к потере контроля.

Электрическая безопасность

- Вилки электрических инструментов должны соответствовать розеткам. Не модифицируйте вилку. Не используйте вилки-переходники с заземленными электрическими инструментами.** Неизменные вилки и соответствующие им розетки снижают опасность поражения электрическим током.
- Не прикасайтесь к заземленным деталям, например трубам, батареям, плитам и холодильникам.** Риск поражения электрическим током повышается при заземлении тела.
- Не подвергайте электрические инструменты воздействию дождя и влаги.** Вода, попавшая в электрический инструмент, повышает риск поражения электрическим током.
- Используйте шнур только по назначению. Не используйте шнур для переноски, перетягивания или отключения электрического инструмента от сети.** Держите шнур на безопасном расстоянии от источников тепла, масла, острых кромок и движущихся частей. Поврежденные и спутанные шнуры повышают риск поражения электрическим током.
- При эксплуатации электрического инструмента вне помещения используйте удлинительный шнур, пригодный для использования вне помещений.** Использование шнура, пригодного для использования вне помещений, снижает риск поражения электрическим током.

9. Если применения электрического инструмента во влажных условиях нельзя избежать, используйте источник питания с прерывателем тока при электрическом замыкании на землю. Использование прерывателя тока при электрическом замыкании на землю снижает риск поражения электрическим током.

Личная безопасность

10. При работе с электрическим инструментом будьте внимательны, следите за своими действиями и руководствуйтесь здравым смыслом. Не используйте электрический инструмент, если вы устали или находитесь под воздействием наркотических средств, алкоголя или лекарственных препаратов. Малейшая неосторожность при работе с электрическим инструментом может привести к тяжелой травме.
11. Используйте средства индивидуальной защиты. Всегда носите средства защиты органов слуха. Надлежащее использование таких средств индивидуальной защиты, как противопылевая респиратор, несколько защитная обувь, защитный шлем и средства защиты органов слуха снижает риск травм.
12. Примите необходимые меры для предотвращения случайного запуска. Перед подключением к источнику питания и/или аккумуляторной батарее, обращением с электрическим инструментом или его переноской убедитесь, что переключатель находится в выключенном положении. Переноска электрических инструментов с удержанием пальца на переключателе или их подключение к источнику питания, когда переключатель установлен во включенное положение, повышает риск несчастных случаев.
13. Перед включением питания электрического инструмента уберите регулировочные и гаечные ключи. Гаечный или регулировочный ключ, оставленный на вращающейся детали, может привести к травме.
14. Не тянитесь. Всегда сохраняйте правильную стойку и баланс. Это позволит лучше контролировать электрический инструмент во всех непредвиденных ситуациях.
15. Правильно одевайтесь. Не носите свободную одежду и украшения. Держите волосы, одежду и перчатки на безопасном расстоянии от движущихся частей. Свободная одежда или длинные волосы могут попасть в движущиеся части.
16. Если на устройствах предусмотрены соединения для подключения к оборудованию для улавливания и сбора пыли, убедитесь, что эти соединения правильно используются. Пылесулавливание может снизить риски, связанные с пылью.

Эксплуатация электрического инструмента и уход за ним

17. Не подвергайте электрический инструмент чрезмерным нагрузкам. Используйте электрический инструмент, соответствующий выполняемой работе. Электрический инструмент позволит выполнить работу лучше и безопасней, если он используется под нагрузкой, для которой он рассчитан.
18. Не используйте электрический инструмент, если переключатель не включается или не выключается. Электрический инструмент, которым невозможно управлять с помощью переключателя, опасен и требует ремонта.
19. Перед выполнением регулировок, заменой насадок или хранением электрических инструментов отсоедините вилку от источника питания и/или отключите аккумуляторную батарею от электрического инструмента. Эти меры предосторожности снижают риск случайного включения электрического инструмента.
20. Храните неиспользуемые электрические инструменты вне досягаемости детей и не позволяйте лицам, не знакомым с электрическим инструментом или настоящими инструкциями, управлять электрическим инструментом. Электрические инструменты опасны в руках неопытных пользователей.
21. Поддерживайте электрические инструменты в рабочем состоянии. Проверяйте на несоосность или заедание движущихся частей, поломки деталей и наличие других условий, которые могут сказаться на работе электрического инструмента. В случае наличия повреждений перед дальнейшим использованием электрического инструмента необходимо выполнить его ремонт. Многие несчастные случаи являются следствием плохого ухода за электрическими инструментами.
22. Поддерживайте режущие инструменты чистыми и острыми. Хорошо ухоженные режущие инструменты с острыми режущими кромками режут заедают и легче в управлении.
23. Используйте электрический инструмент, принадлежности, вставные резцы и т. п. в соответствии с настоящими инструкциями с учетом условий работы и выполняемой операции. Использование электрического инструмента для операций, для которых он не предназначен, может привести к опасным ситуациям.
- #### Эксплуатация аккумуляторного электрического инструмента и уход за ним
24. Заряжайте только с помощью поставляемого изготовителем зарядного устройства. Зарядное устройство, подходящее для аккумуляторной батареи одного типа, может создавать риск возгорания при использовании с аккумуляторной батареей другого типа.
25. Используйте электрические инструменты только с предназначенными для них аккумуляторными батареями. Использование любых других аккумуляторных батарей может создавать риск получения травмы и возгорания.

26. Если аккумуляторная батарея не используется, храните ее вдали от таких металлических объектов, как скрепки для бумаг, монеты, ключи, гвозди, винты, а также других металлических объектов, которые могут стать причиной короткого замыкания выводов. Короткое замыкание выводов аккумуляторной батареи вместе может привести к ожогам или возгоранию.
27. При неправильном обращении из аккумуляторной батареи может выделяться жидкость. Избегайте контакта с этой жидкостью. При случайном контакте промойте водой. Если жидкость попала в глаза, дополнительно обратитесь за медицинской помощью. Жидкость, выделяемая из аккумуляторной батареи, может вызывать раздражение или ожоги.

Обслуживание

28. Техническое обслуживание электрического инструмента должен проводить квалифицированный специалист по ремонту с использованием запасных частей, идентичных оригинальным. Это позволит поддерживать безопасность электрического инструмента на должном уровне.
29. Следуйте инструкциям по смазке и замене принадлежности.
30. Поддерживайте рукоятки сухими, чистыми и свободными от масла и смазки.

МЕРЫ ПРЕДОСТОРОЖНОСТИ ПРИ ИСПОЛЬЗОВАНИИ АККУМУЛЯТОРНЫХ ГИДРАВЛИЧЕСКИХ НОЖИЦ

1. При использовании инструмента крепко держите его в руках. Если инструмент плохо удерживается, можно получить травму.
2. Держите руки и лицо на безопасном расстоянии от движущихся частей. Движущиеся части могут привести к травме.
3. Немедленно отпустите курок переключателя, чтобы остановить работу, если инструмент неисправен или издает необычные звуки во время работы. Передайте его для осмотра и ремонта в уполномоченный центр обслуживания. Несоблюдение этого указания может привести к повреждению или травме.
4. Если инструмент упал или получил удар, тщательно проверьте, что корпус не получил повреждений, не имеет трещин и деформированных участков. Любое такое повреждение может стать причиной травмы.
5. Данный инструмент является электрогидравлическим. Перед отправкой с завода-изготовителя резервуар для масла был заполнен маслом. Не доливайте масло, если инструмент работает нормально.
6. Ножи для резки металла имеют острые кромки. Обращайтесь с ними осторожно, чтобы избежать порезов.

7. Поврежденные, деформированные или потрескавшиеся ножи могут привести к тяжелым травмам и сказаться на качестве работы. Немедленно замените такие ножи новыми оригинальными ножами.

СОХРАНИТЕ ДАННУЮ ИНСТРУКЦИЮ.

⚠ ПРЕДУПРЕЖДЕНИЕ:

НЕ допускайте небрежного обращения с данным изделием (вызванным его многократным использованием) и строго соблюдайте правила техники безопасности. НЕПРАВИЛЬНОЕ ИСПОЛЬЗОВАНИЕ и несоблюдение правил техники безопасности, приведенных в настоящей инструкции по эксплуатации, может привести к тяжелым травмам.

ВАЖНЫЕ ПРАВИЛА ТЕХНИКИ БЕЗОПАСНОСТИ

ДЛЯ КАРТРИДЖА АККУМУЛЯТОРНОЙ БАТАРЕИ

1. Перед использованием картриджа аккумуляторной батареи полностью прочитайте инструкцию и предупреждения на (1) зарядном устройстве аккумуляторной батареи, (2) аккумуляторной батарее и (3) устройстве, в которое устанавливается аккумуляторная батарея.
2. Не разбирайте картридж аккумуляторной батареи.
3. Если время работы заметно уменьшилось, немедленно прекратите работу. Это может создать риск перегрева, вызвать ожоги и даже привести к взрыву.
4. В случае попадания электролита в глаза промойте глаза чистой водой и немедленно обратитесь за медицинской помощью. Электролит может вызвать потерю зрения.
5. Не закорачивайте картридж аккумуляторной батареи:
 - (1) не прикасайтесь к выводам токопроводящими материалами;
 - (2) избегайте хранения картриджа аккумуляторной батареи в контейнере вместе с другими металлическими объектами, такими как гвозди, монеты и др.;
 - (3) не подвергайте картридж аккумуляторной батареи воздействию воды или дождя.Короткое замыкание аккумуляторной батареи может привести к возникновению больших токов, перегреву, ожогам и даже поломке.
6. Не храните инструмент и аккумуляторную батарею в местах, где температура может достигать или превышать 50 °C.

7. Не сжигайте картридж аккумуляторной батареи, даже если он сильно поврежден или полностью разряжен. В огне картридж аккумуляторной батареи может взорваться.
8. Будьте осторожны, не роняйте и не ударяйте аккумуляторную батарею.
9. Не используйте поврежденную аккумуляторную батарею.
10. Соблюдайте требования местного законодательства по утилизации аккумуляторных батарей.

СОХРАНИТЕ ДАННУЮ ИНСТРУКЦИЮ.

Рекомендации по обеспечению максимального срока службы аккумуляторной батареи

1. Перед полной разрядкой полностью зарядите картридж аккумуляторной батареи. В случае снижения мощности инструмента обязательно прекратите его использование и зарядите картридж аккумуляторной батареи.
2. Не перезаряжайте полностью заряженный картридж аккумуляторной батареи. Перезаряд сокращает срок службы аккумуляторной батареи.
3. Заряжайте картридж аккумуляторной батареи при комнатной температуре от 10 °C до 40 °C. Перед зарядкой горячего картриджа аккумуляторной батареи дайте ему остыть.
4. Если картридж аккумуляторной батареи не используется в течение продолжительного периода времени, заряжайте его каждые шесть месяцев.

ОПИСАНИЕ ФУНКЦИОНИРОВАНИЯ

⚠ ВНИМАНИЕ:

- Перед выполнением регулировки или проверки работоспособности инструмента обязательно убедитесь, что инструмент выключен и картридж аккумуляторной батареи снят.

Установка или снятие картриджа аккумуляторной батареи (рис. 1)

⚠ ВНИМАНИЕ:

- Перед установкой или снятием картриджа аккумуляторной батареи обязательно выключайте инструмент.
- При установке и снятии картриджа аккумуляторной батареи надежно удерживайте инструмент и картридж аккумуляторной батареи. Если инструмент и картридж аккумуляторной батареи плохо удерживаются, они могут выскользнуть из рук и привести к повреждению инструмента и картриджа аккумуляторной батареи и травме.

Чтобы снять картридж аккумуляторной батареи выдвиньте его из инструмента, одновременно сдвигая кнопку на передней части картриджа. Чтобы установить картридж аккумуляторной батареи, совместите язычок картриджа аккумуляторной батареи с пазом в корпусе и задвиньте картридж на место. Вставьте картридж до его фиксации со щелчком. Если на верхней поверхности кнопки виден индикатор красного цвета, картридж не зафиксирован полностью.

⚠ ВНИМАНИЕ:

- Обязательно полностью устанавливайте картридж аккумуляторной батареи, чтобы индикатор красного цвета не был виден. В противном случае он может случайно выпасть из инструмента и привести к травме.
- Не прилагайте силу при установке картриджа аккумуляторной батареи. Если картридж не задвигается с применением незначительного усилия, он был вставлен неправильно.

Система защиты аккумуляторной батареи (ионно-литиевая аккумуляторная батарея с маркировкой в виде звезды) (рис. 2)

Ионно-литиевые аккумуляторные батареи с маркировкой в виде звезды оборудованы системой защиты. Эта система автоматически отключает питание инструмента с целью увеличения срока службы аккумуляторной батареи. Инструмент автоматически остановится, если инструмент и/или аккумуляторная батарея находятся в одном из следующих состояний:

- Перегрузка:
 - Инструмент используется таким образом, что он потребляет аномально высокий ток. В этом случае отпустите курок переключателя на инструменте и не используйте функцию, которая вызывает перегрузку инструмента. Для повторного запуска снова нажмите курок переключателя.
 - Если инструмент не включается, аккумуляторная батарея перегрелась. В этом случае перед повторным нажатием курок переключателя дайте аккумуляторной батарее остыть.
- Низкое напряжение аккумуляторной батареи:
 - Оставшийся заряд аккумуляторной батареи слишком низкий, и инструмент работать не будет. В этом случае снимите и перезарядите аккумуляторную батарею.

ПОРЯДОК ЭКСПЛУАТАЦИИ

Прочитайте, изучите и следуйте всем инструкциям и рабочим процедурам. Если вы не понимаете инструкций или условия для нормальной работы не соблюдены, не используйте этот инструмент. Проконсультируйтесь со своим руководителем или другим ответственным лицом.

⚠ ПРЕДУПРЕЖДЕНИЕ:

- Перед установкой аккумуляторной батареи в инструмент нажмите и отпустите курок переключателя, чтобы убедиться, что после отпущения он возвращается в исходное положение.

При нажатии курка переключателя двигатель включается, а при отпущении — выключается.

Функционирование фиксатора переключателя (рис. 3)

- Передвиньте фиксатор переключателя в сторону А. Переключатель высвобождается, и курок можно использовать.
- Передвиньте фиксатор переключателя в сторону В. Переключатель блокируется, и курок невозможно использовать.

⚠ ВНИМАНИЕ:

- Курок переключателя должен быть всегда заблокирован, если он не используется.

⚠ ПРЕДУПРЕЖДЕНИЕ:

- Перед работой убедитесь, что положение оператора относительно инструмента и окружающая зона безопасны для проведения работ. Носите защитные очки и защитную одежду.
- Ознакомьтесь с техническими характеристиками, приведенными в настоящей инструкции, и не используйте инструмент для резки арматурных стержней, размер или твердость которых превышает возможности инструмента.
- Не используйте инструмент для резки материалов, отличных от арматурных стержней. Если инструмент предполагается использовать для резки других материалов, обратитесь к производителю.

⚠ ПРЕДУПРЕЖДЕНИЕ:

- Немедленно заменяйте поврежденные (сломаные, со сколами, трещинами) или деформированные ножи. Нож не будет резать и может треснуть или сломаться и привести к тяжелой травме.

Порядок резки

⚠ ПРЕДУПРЕЖДЕНИЕ

- **Запрещается использовать инструмент без установленного защитного приспособления.** Несоблюдение этого указания может привести к тяжелым травмам. **(рис. 4)**
1. Установите арматурный стержень для резки между ножами. **(рис. 5)**
Отрегулируйте упор (DSC162) или удерживающий болт (DSC191) в соответствии с диаметром разрезаемого арматурного стержня так, чтобы арматурный стержень находился под углом 90 градусов к ножам. Упор (DSC162) или удерживающий болт (DSC191) поддерживает арматурный стержень и удерживает его перпендикулярно ножам во время отрезания. **(рис. 6)**

⚠ ПРЕДУПРЕЖДЕНИЕ

- При отрезании арматурного стержня отрегулируйте упор (DSC162) или удерживающий болт (DSC191) в соответствии с диаметром стержня так, чтобы

стержень находился под углом 90 градусов к ножам. Без такой регулировки отрезаемая часть может отскочить и привести к тяжелой травме оператора или других лиц. Обязательно проверяйте положение оператора относительно инструмента и убедитесь, что в отсутствии опасности для оператора и окружающей зоны.

2. Установите разрезаемый арматурный стержень так, чтобы он полностью находился между ножами. **(рис. 7)**

⚠ ПРЕДУПРЕЖДЕНИЕ

- Если разрезаемый арматурный стержень не находится полностью между ножами, ножи получат повреждения, арматурный стержень вылетит с большой скоростью и может привести к тяжелой травме.

⚠ ПРЕДУПРЕЖДЕНИЕ

- Не отрезайте арматурный стержень, если длина отрезаемой части составляет менее 200 мм. При отрезании арматурного стержня меньшей длины он может отскочить и привести к тяжелой травме **(рис. 8)**.

⚠ ПРЕДУПРЕЖДЕНИЕ

- Не отрезайте арматурный стержень, если он не поддерживается упором (DSC162) или удерживающим болтом (DSC191). При отрезании поддерживайте арматурный стержень со стороны упора (DSC162) или удерживающего болта (DSC191). **(рис. 9)** В противном случае отрезаемая часть может отскочить и привести к тяжелой травме оператора или других лиц.

3. Передвиньте переключатель в сторону А. Переключатель высвобождается, и курок можно использовать.
4. Нажмите курок переключателя, чтобы начать операцию отрезания. Шток ножниц будет перемещаться вперед, чтобы отрезать арматурный стержень. Удерживайте переключатель в нажатом состоянии до тех пор, пока шток ножниц остановится в конце своего хода.
5. Отпустите курок переключателя по завершении отрезания и достижения штоком ножниц конца его хода. После этого шток ножниц автоматически вернется в его начальное положение. Шток ножниц не вернется в начальное положение, если его ход не был завершен. Аналогично, шток ножниц не сможет двигаться вперед, пока он полностью не вернется в начальное положение. Нажимайте переключатель для запуска следующего цикла отрезания только после полного возвращения штока ножниц в его начальное положение.

⚠ ПРЕДУПРЕЖДЕНИЕ

- При отрезании арматурного стержня из материала с большим пределом прочности при растяжении отрезаемая часть может отскочить и привести к тяжелой травме оператора. Перед началом работ наденьте защитные очки и убедитесь в безопасности зоны проведения работ. **(рис. 10)**

⚠ ПРЕДУПРЕЖДЕНИЕ

- В процессе резания держите руки и лицо на безопасном расстоянии от ножей, движущихся частей и области резания.
Извлекайте аккумуляторную батарею из инструмента непосредственно после использования инструмента.

ПРИМЕЧАНИЕ:

- Не допускайте попадания грязи и мусора в вентиляционное отверстие на торце держателя стержня. Вентиляционное отверстие используется для контроля внутреннего давления и должно оставаться открытым. (рис. 11)

Функция поворота двигателя (рис. 12)

Во время работы корпус двигателя можно поворачивать на угол до 360 в обоих направлениях. Эта функция особенно удобна при работе в неудобных и труднодоступных местах, поскольку она позволяет оператору выбрать наиболее подходящее положение для инструмента.

Работа обратного клапана (рис. 13)

Обратный клапан предназначен для обеспечения возврата штока ножниц в начальное положение в случае невозможности завершения операции отрезания или заедания. Клапан сбрасывает давление масла и позволяет штоку ножниц вернуться. После полного возврата штока ножниц в начальное положение перед началом следующей операции повторно затяните обратный клапан.

Размеры запасных ножей

Модель	A (устанавливается на держатель стержня)	B (устанавливается на шток ножниц)
DSC162 (ø3 – ø16)	22 × 17 × 9 мм (размер болта — 5 мм)	22 × 17 × 8 мм (размер болта — 5 мм)
DSC191 (ø3 – ø20)	28 × 20 × 11,5 мм (размер болта — 6 мм)	26 × 20 × 10 мм (размер болта — 5 мм)

ПРИМЕЧАНИЕ:

- Используйте только оригинальные ножи Makita.

ПОРЯДОК ЗАМЕНЫ НОЖЕЙ

Если на режущих кромках ножей имеются сколы, трещины, деформации или повреждения, их режущая способность снижается. Резание в таких условиях может привести к дальнейшим повреждениям и травме. При обнаружении любых повреждений ножей немедленно замените весь комплект ножей.

⚠ ПРЕДУПРЕЖДЕНИЕ

- При замене ножей обязательно извлеките аккумуляторную батарею из инструмента, чтобы предотвратить случайное включение. Убедитесь, что нож A на держателе стержня и нож B на штоке ножниц установлены на свои места. (рис. 14)

1. Отверните болты крепления ножа A и ножа B и снимите шайбы.
2. Удалите грязь и очистите поверхности в местах установки ножей.
3. Установите нож A на держатель стержня, а нож B — на шток ножниц. Установите болты и шайбы место и прочно затяните болты.

⚠ ПРЕДУПРЕЖДЕНИЕ

- Болты крепления ножа A и ножа B следует регулярно подтягивать. Если болты ослабнут, ножи могут получить повреждения и могут привести к травме.

Тип запасных ножей и демонтаж ножей (рис. 15)

Крепежные болты необходимо прочно затягивать. Периодически проверяйте, что ножи правильно затянуты.

- Используйте эту таблицу для определения типа ножей, соответствующего модели инструмента.

ДОЛИВ МАСЛА

Данные аккумуляторные гидравлические ножницы являются электрогидравлическим инструментом. При отправке с завода-изготовителя в них заливают масло. Не пытайтесь доливать масло в ножницы, если они функционируют нормально. Со временем уровень масла постепенно снижается. В конечном итоге это приведет к заметному снижению производительности. Если это произойдет, долейте масло следующим образом:

1. Установите арматурный стержень между ножами и нажмите курок переключателя.
2. Отпустите курок переключателя непосредственно перед завершением операции отрезания, чтобы остановить инструмент.
3. Извлеките аккумуляторную батарею из инструмента, чтобы ножи не могли неожиданно прийти в движение.
4. Отверните болт (SB10x15), который закрывает отверстие для заливки масла. Осторожно долейте масло, стараясь не допустить попадания масла в двигатель.
5. Установите болт (SB10x15) на место и прочно затяните.
6. Установите аккумуляторную батарею в инструмент и завершите операцию отрезания.
7. Повторите описанную процедуру несколько раз до достижения требуемого уровня масла.

ВНИМАНИЕ

- В инструменте допускается заливать только чистое гидравлическое масло, рекомендуемое компанией Makita. Рекомендуемые масла включают гидравлическое масло, поставляемое компанией Makita, масло Super Hyrando #46 (JX Nippon Oil & Energy Corp.), масло Shell Tellus Plus #46 (U.S. Shell) и другие гидравлические масла с противоизносными присадками с аналогичными свойствами класса вязкости 46 по ISO. Не используйте другие масла, поскольку они могут привести к повреждению уплотнений и других внутренних деталей устройства.

ПОИСК И УСТРАНЕНИЕ НЕИСПРАВНОСТЕЙ

⚠ ПРЕДУПРЕЖДЕНИЕ:

- Перед выполнением работ на устройстве извлеките аккумуляторную батарею.

ПРОБЛЕМА	ПРИЧИНА	РЕШЕНИЕ
Шток ножниц не выдвигается.	Недостаточно масла	Допейте масло (см. раздел «Долив масла»).
	Шток ножниц не возвращается полностью в начальное положение вследствие скопления мусора между штоком и держателем стержня.	Вручную переместите шток ножниц в начальное положение. Удалите мусор и выполните очистку
	Шток ножниц не возвращается полностью в начальное положение вследствие повреждения штока.	Замените шток ножниц.
	Шток ножниц не возвращается полностью в начальное положение вследствие ослабления крепления или повреждения ножей.	Затяните болты ножей. Замените ножи
	Шток ножниц не возвращается полностью в начальное положение вследствие ослабления возвратной пружины.	Замените возвратную пружину.
Недостаточная мощность для отрезания арматурного стержня.	Недостаточно масла.	Допейте масло (см. раздел «Долив масла»).
	Обратный клапан неправильно установлен или повреждено седло.	Очистите упор обратного клапана и седло. Удалите цапапины с седла.
	Обратный клапан поврежден.	Замените.
	Неправильный зазор между цилиндром и поршнем.	Замените поршень (примечание: доступны поршни разных размеров)
	Запорный клапан неправильно установлен или повреждено седло.	Очистите запорный клапан и седло. Замените.
	Уретановое уплотнение повреждено или разорвано.	Замените.
Течет масло.	Поплавок уровня масла поврежден или разорван.	Замените.
	Повреждено уплотнительное кольцо штока ножниц / держателя стержня; поверхность штока/держателя имеет цапапины или канавки.	Замените упорное кольцо и уплотнительное кольцо. Замените шток ножниц / держатель стержня
	Повреждено уплотнительное кольцо цилиндра / держателя стержня	Замените уплотнительное кольцо.
	Повреждена прокладка цилиндра / корпуса насоса.	Замените прокладку В.
	Ослаблены болты фланца ножниц / цилиндра / корпуса насоса.	Затяните болты.
Двигатель не вращается. Двигатель работает медленно или рывками.	Неправильный уровень напряжения.	Зарядите аккумуляторную батарею.
	Заканчивается срок службы аккумуляторной батареи.	Замените аккумуляторную батарею.
	Двигатель постоянного тока поврежден вследствие перегрева.	Замените двигатель постоянного тока.
	Подшипники или редуктор двигателя постоянного тока повреждены или сломаны.	Замените подшипники или редуктор.

ПРИМЕЧАНИЕ:

- Внутренние компоненты насоса и область поршня имеют очень точные допуски и чувствительны к повреждениям, вызываемым пылью, грязью, частицами загрязнения в гидравлическом масле, а также повреждениям вследствие неправильного обращения. Разборка корпуса насоса требует обучения и применения специальных инструментов и должна выполняться только квалифицированным ремонтным персоналом, прошедшим необходимое обучение и имеющим соответствующие инструменты. Неправильное обслуживание электрических компонентов может привести к ситуациям, которые могут стать причиной тяжелых

травм. Обслуживание компонентов насоса и поршня, а также всех электрических деталей должно проводиться только в авторизованной ремонтной мастерской, на предприятии дилера или дистрибьютора.

ТЕХНИЧЕСКОЕ ОБСЛУЖИВАНИЕ

ВНИМАНИЕ:

- Перед проведением осмотра или технического обслуживания обязательно убедитесь, что инструмент выключен и картридж аккумуляторной батареи снят.
- Не используйте бензин, бензин-растворитель, растворитель, спирт другие аналогичные вещества. Это может привести к изменению цвета, деформации и образованию трещин.

Замена угольных щеток (рис. 16)

Замените, если они изношены до граничной метки.

Содержите угольные щетки в чистоте, чтобы они могли свободно скользить в держателях. Обе угольные щетки нужно заменять одновременно.

Используйте только идентичные угольные щетки.

Отверните два винта с помощью отвертки, а затем снимите заднюю крышку. (рис. 17)

Поднимите рычаг пружины, а затем поместите его в углубление в корпусе с помощью крестообразной отвертки с тонким стержнем или аналогичного инструмента. (рис. 18)

С помощью плоскогубцев снимите крышки угольных щеток со щеток. Извлеките изношенные угольные щетки, вставьте новые и установите крышки угольных щеток в обратном порядке. (рис. 19)

Убедитесь, что крышки угольных щеток прочно вошли в отверстия в держателях щеток. (рис. 20)

Установите заднюю крышку на место и прочно затяните два винта. Для обеспечения БЕЗОПАСНОСТИ и НАДЕЖНОСТИ устройства ремонт и другие работы по техническому обслуживанию и регулировке должны проводиться в уполномоченных центрах обслуживания Makita и с использованием запасных частей Makita.

ДОПОЛНИТЕЛЬНЫЕ ПРИНАДЛЕЖНОСТИ

ВНИМАНИЕ:

- Эти принадлежности или насадки рекомендуется использовать с описанным в настоящей инструкции инструментом Makita. Использование любых других принадлежностей или насадок могут представлять риск получения травм. Используйте принадлежности и насадки только по назначению.
- Если вам нужна дополнительная информация по этим принадлежностям, свяжитесь со своим местным центром обслуживания Makita.
- Оригинальная аккумуляторная батарея и зарядное устройство Makita

ПРИМЕЧАНИЕ:

- Отдельные перечисленные компоненты могут входить в стандартную комплектацию инструмента. Комплектации могут отличаться в зависимости от страны.

Makita Europe N.V. Jan-Baptist Vinkstraat 2,
3070 Kortenberg, Belgium

Makita Corporation 3-11-8, Sumiyoshi-cho,
Anjo, Aichi 446-8502 Japan